



Manuals.plus /

› Loncin /

› Loncin LC192F 18 HP 459cc Gasoline Engine Instruction Manual

Loncin LC192F

Loncin LC192F 18 HP 459cc Gasoline Engine

Instruction Manual

1. SAFETY INFORMATION

Read and understand all safety warnings and instructions before operating this engine. Failure to do so can result in serious injury or death.

General Safety Precautions

- Always operate the engine in a well-ventilated area to prevent carbon monoxide poisoning. Carbon monoxide is a colorless, odorless gas that can be fatal.
- Keep children and pets away from the engine during operation.
- Do not refuel the engine while it is running or hot. Allow the engine to cool down before adding fuel.
- Store fuel in an approved container in a well-ventilated area, away from ignition sources.
- Wear appropriate personal protective equipment (PPE) such as safety glasses, gloves, and hearing protection.
- Ensure all guards and covers are in place before starting the engine.
- Never operate the engine if it is damaged or improperly maintained.

Warning Labels on Engine

Pay close attention to the warning labels affixed to the engine. These provide critical safety information.



Image 1.1: Front-left view of the Loncin LC192F engine. Note the yellow warning label on the fuel tank indicating exhaust emissions and the need for good ventilation, and the label on the air filter cover regarding maintenance.



Image 1.2: Left side view of the Loncin LC192F engine, showing the air filter assembly and a warning label on the fuel tank. This label warns against fuel spills or leaks and emphasizes stopping the engine before refueling.

2. PRODUCT OVERVIEW

The Loncin LC192F is a robust single-cylinder, four-stroke gasoline engine designed for various applications requiring reliable power. It features air cooling and a power output of 18 HP (13.4 kW). With a 6.5-liter fuel tank, it can operate for approximately 1.5 hours on a single fill. This engine is known for its ease of maintenance, reliability, and low noise and smoke emissions. It is commonly used as a replacement engine for motor hoes, scythe mowers, vibratory plates, and go-karts, provided the crankshaft dimensions match.

Key Features

- **High Performance:** 18 HP (13.4 kW) at 3600 rpm.
- **Efficient Fuel System:** 6.5-liter fuel tank for extended operation.
- **Air-Cooled:** Ensures consistent performance and durability.
- **Low Emissions:** Designed for reduced smoke and noise.
- **Standardized Crankshaft:** Direct output under the keyway groove for broad compatibility.
- **Enhanced Air Filtration:** Equipped with an enlarged filter for superior air cleaning.

3. COMPONENTS AND CONTROLS

Familiarize yourself with the main components and controls of your Loncin LC192F engine.



Image 3.1: Front-left view of the Loncin LC192F engine. Key components include the fuel tank (top), air filter housing (left), recoil starter (front), and engine block.



Image 3.2: Front-right view of the Loncin LC192F engine, highlighting the crankshaft output shaft (bottom right) and the oil fill cap (yellow, bottom center).

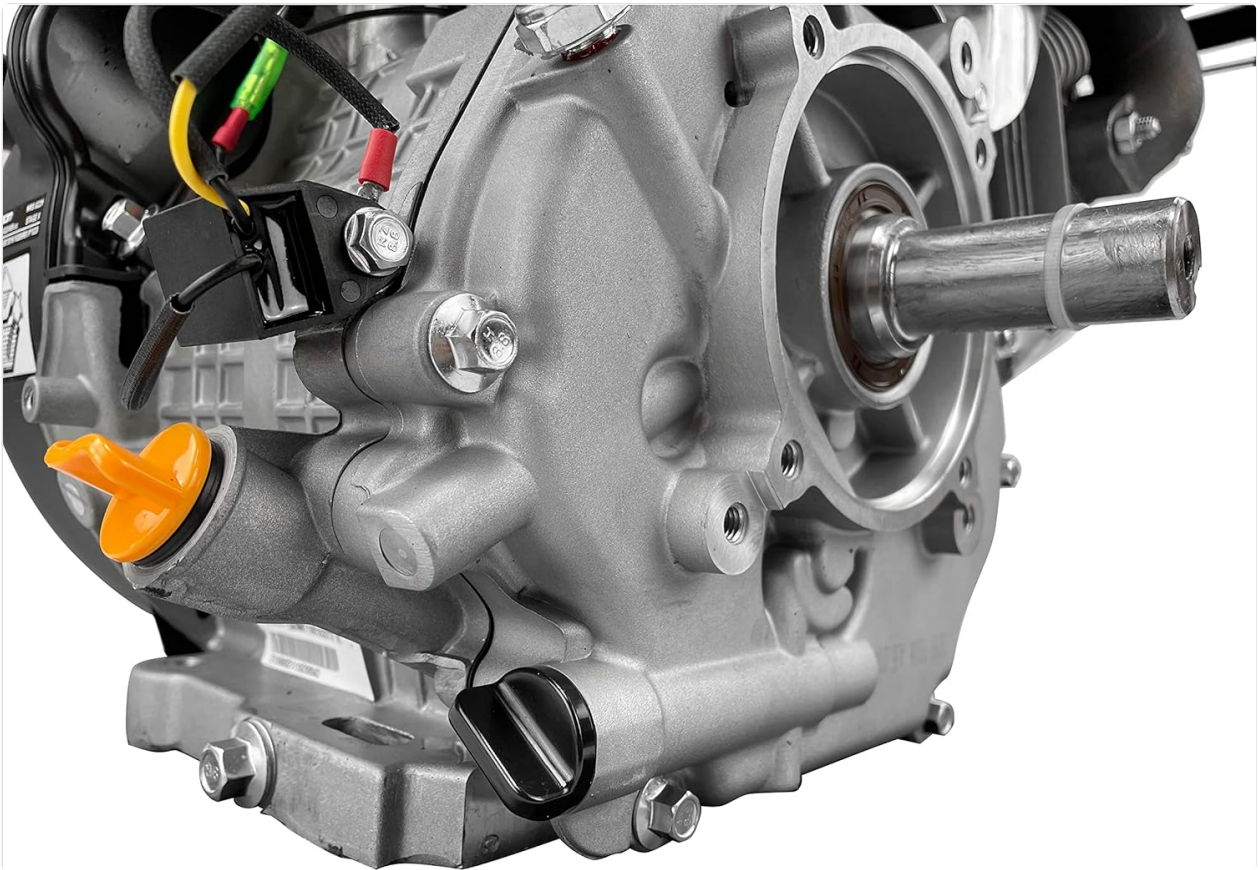


Image 3.3: Close-up view showing the yellow oil fill cap/dipstick and the black oil drain plug on the engine crankcase.

4. SETUP

Before starting the engine, ensure it is properly prepared for operation.

4.1 Mounting the Engine

- Mount the engine securely to a stable, level surface using appropriate bolts and hardware.
- Ensure there is adequate clearance around the engine for ventilation and maintenance access.
- Connect any necessary drive components (e.g., belts, shafts) to the crankshaft output.

4.2 Adding Engine Oil

1. Place the engine on a level surface.
2. Remove the yellow oil fill cap/dipstick (refer to Image 3.3).
3. Add approximately 1.1 liters of recommended 4-stroke engine oil (e.g., SAE 10W-30) into the crankcase. Do not overfill.
4. Check the oil level using the dipstick. The oil should be between the minimum and maximum marks.
5. Securely replace the oil fill cap.

4.3 Adding Fuel

1. Ensure the engine is off and cool.
2. Open the fuel tank cap.
3. Fill the fuel tank with fresh, unleaded gasoline. The tank capacity is 6.5 liters.

4. Do not overfill. Leave some space for fuel expansion.
5. Securely close the fuel tank cap. Wipe up any spilled fuel immediately.

5. OPERATING INSTRUCTIONS

Follow these steps to safely start and operate your Loncin LC192F engine.

5.1 Pre-Start Checks

- Check engine oil level.
- Check fuel level.
- Ensure air filter is clean and properly installed.
- Verify all connections are secure.

5.2 Starting the Engine (Recoil Start)

1. Turn the fuel valve to the "ON" position.
2. Move the choke lever to the "CHOKE" position (if the engine is cold).
3. Move the throttle lever to the "FAST" position.
4. Grasp the recoil starter handle firmly. Pull slowly until resistance is felt, then pull quickly and smoothly to start the engine.
5. Once the engine starts, gradually move the choke lever to the "RUN" position as the engine warms up.
6. Adjust the throttle to the desired operating speed.

5.3 Stopping the Engine

1. Move the throttle lever to the "SLOW" or "IDLE" position.
2. Turn the engine switch to the "OFF" position.
3. Turn the fuel valve to the "OFF" position to prevent fuel leakage.

6. MAINTENANCE

Regular maintenance is crucial for the longevity and optimal performance of your Loncin LC192F engine.

6.1 Maintenance Schedule

Item	Every Use	Every 25 Hours / Monthly	Every 100 Hours / Annually
Check Engine Oil Level	✓		
Clean Air Filter		✓	
Change Engine Oil			✓
Check Spark Plug			✓
Inspect Fuel Filter			✓

6.2 Air Filter Maintenance

The engine is equipped with an enlarged air filter for superior air cleaning. Regular cleaning is essential.

1. Remove the air filter cover.
2. Remove the foam and paper filter elements.
3. Clean the foam element with warm, soapy water, rinse thoroughly, and allow to air dry completely. Lightly oil the foam element with engine oil and squeeze out excess.
4. Tap the paper element gently to remove loose dirt. Replace if heavily soiled or damaged.
5. Reinstall the filter elements and cover.

6.3 Oil Change

1. Run the engine for a few minutes to warm the oil, then stop it.
2. Place a suitable container under the oil drain plug (refer to Image 3.3).
3. Remove the oil drain plug and the oil fill cap/dipstick to allow the oil to drain completely.
4. Reinstall the oil drain plug securely.
5. Refill with 1.1 liters of recommended 4-stroke engine oil (e.g., SAE 10W-30).
6. Check the oil level and replace the fill cap.

7. TROUBLESHOOTING

This section provides solutions to common operational issues.

Engine Does Not Start

- **No Fuel:** Check fuel level and ensure the fuel valve is open.
- **Old Fuel:** Drain old fuel and refill with fresh gasoline.
- **Choke Position:** Ensure choke is in the correct position for starting (closed for cold, open for warm).
- **Spark Plug:** Check spark plug for fouling or damage. Clean or replace if necessary.
- **Engine Switch:** Ensure the engine switch is in the "ON" position.

Engine Runs Poorly / Lacks Power

- **Air Filter:** A dirty air filter can restrict airflow. Clean or replace it.
- **Spark Plug:** Inspect the spark plug. A fouled or incorrectly gapped plug can cause misfires.
- **Fuel Quality:** Use fresh, clean gasoline.
- **Carburetor Issues:** If problems persist, the carburetor may need cleaning or adjustment by a qualified technician.

8. SPECIFICATIONS

Detailed technical specifications for the Loncin LC192F engine.

Specification	Value
Model	Loncin LC192F
Type	EURO 5, OHV, Single-cylinder, 4-stroke, Forced Air Cooling
Displacement	459 cm ³
Bore × Stroke	92 × 69 mm
Max. Engine Power	13.4 kW / 18 HP / 3600 rpm
Nominal Engine Power	12.4 kW / 3600 rpm
Max. Torque	31 Nm / 2500 rpm
Shaft Diameter	25 mm (keyway groove)
Fuel Tank Volume	6.5 L
Engine Oil Volume	1.1 L
Starting System	Recoil Starter
Dimensions (L×W×H)	472 × 439 × 440 mm
Net Weight	32 kg
Package Dimensions	53 x 53 x 45 cm
Package Weight	35 kg
GTIN	4260614710351

Dimensional Drawings

Refer to the following diagrams for detailed engine and crankshaft dimensions.

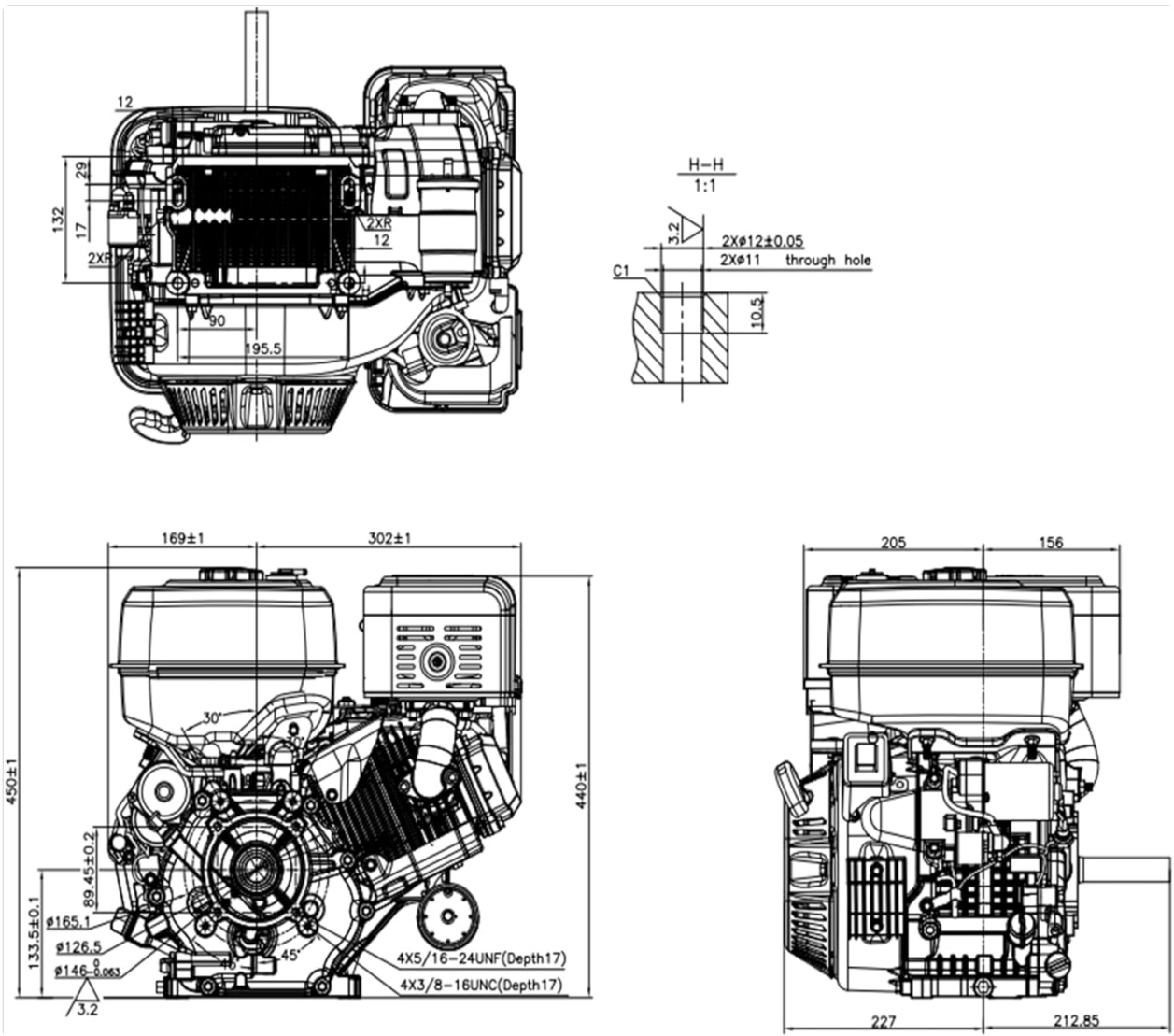


Image 8.1: Technical drawing illustrating the overall dimensions of the Loncin LC192F engine from various views.

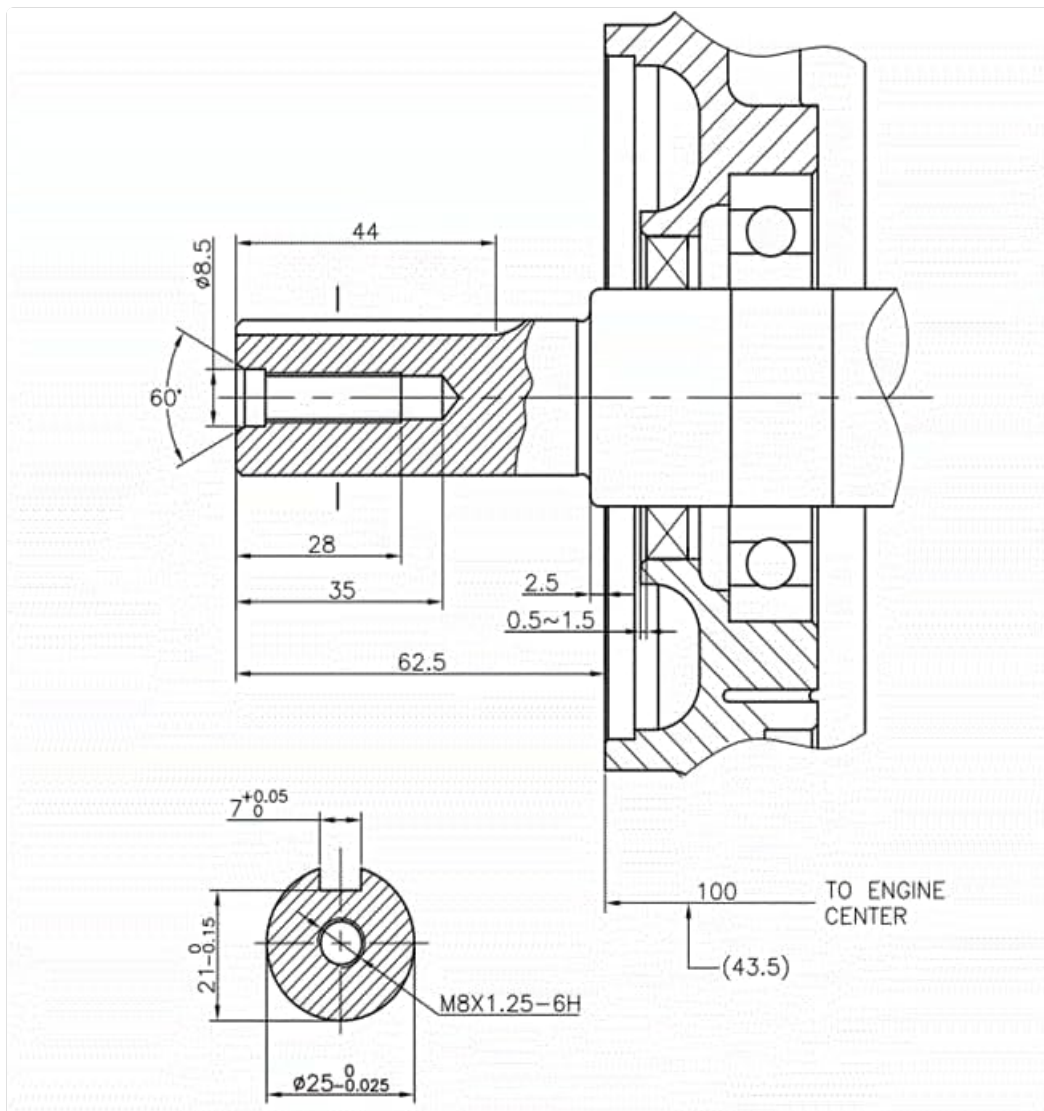


Image 8.2: Technical drawing detailing the dimensions of the crankshaft, including shaft diameter (25mm) and keyway specifications.

9. WARRANTY AND SUPPORT

Your Loncin LC192F engine comes with a warranty to ensure your peace of mind.

Warranty Information

This product is covered by a **2-year warranty** from the date of purchase. This warranty covers manufacturing defects and material faults under normal use and service. Please retain your proof of purchase for warranty claims.

Customer Support

For technical assistance, spare parts, or warranty claims, please contact your authorized Loncin dealer or the point of purchase. Ensure you have your engine model number (LC192F) and serial number available when contacting support.