

Swiss Madison SM-WSC111E

Swiss Madison Lisse 16-inch Wall-Mounted Concrete Sink User Manual

Model: SM-WSC111E

1. INTRODUCTION

Thank you for choosing the Swiss Madison Lisse 16-inch Wall-Mounted Concrete Sink. This fixture is designed for modern bathrooms, offering a unique and minimalist aesthetic. Crafted from durable, stain and scratch-resistant concrete, the Lisse sink provides lasting beauty and functionality. This manual provides essential information for the safe installation, operation, and maintenance of your new sink.



Image: The Swiss Madison Lisse 16-inch Wall-Mounted Concrete Sink, showcasing its sleek design and matte dark gray finish.

2. SAFETY INFORMATION

Please read all instructions carefully before installation and use. Failure to follow these instructions may result in property damage, personal injury, or product malfunction.

- Always turn off the main water supply before beginning any plumbing work.
- Wear appropriate personal protective equipment (PPE) such as safety glasses and gloves during installation.
- Ensure the wall structure is capable of supporting the weight of the sink and any additional fixtures (faucet, water). Consult a professional if unsure.
- Handle the sink with care to avoid chipping or damage. Concrete, while durable, can be brittle if dropped or struck forcefully.
- All plumbing and electrical connections (if applicable) must comply with local building and plumbing codes.
- If you are not confident in your ability to install this product, seek assistance from a qualified professional plumber.

3. PACKAGE CONTENTS

Verify that all components are present and undamaged before proceeding with installation. If any parts are missing or damaged, please contact Swiss Madison customer service.

- Swiss Madison Lisse 16-inch Wall-Mounted Concrete Sink (Model SM-WSC111E)

Note: Faucet, drain assembly (recommended model SM-PD23G), and mounting hardware are sold separately and are not included with the sink.

4. SETUP AND INSTALLATION

This section outlines the general steps for installing your wall-mounted sink. Professional installation is highly recommended.

4.1 Pre-Installation Checks

- Inspect the sink for any visible defects or damage.
- Ensure you have all necessary tools and additional components (faucet, drain, sealant, mounting hardware).
- Confirm the wall is structurally sound and properly reinforced to support the sink's weight.
- Turn off the main water supply.

4.2 Mounting the Sink

1. Determine the desired height for your sink. Mark the mounting points on the wall according to the sink's dimensions and your specific mounting hardware instructions.
2. Drill pilot holes as required for your chosen mounting hardware.
3. Secure the mounting brackets or bolts firmly to the wall. Ensure they are level and capable of holding the sink's weight.
4. Carefully lift the sink and align it with the mounting hardware. Secure the sink in place according to the hardware manufacturer's instructions.



Image: Illustrative diagram of a wall-mounted sink installation, highlighting the secure attachment to the wall.

4.3 Faucet and Drain Installation

1. Install the faucet into the pre-drilled single faucet hole (1 3/8" standard size) on the right side of the sink. Follow the faucet manufacturer's instructions for proper sealing and connection.
2. Install the drain assembly (sold separately, recommended SM-PD23G) into the sink's drain opening. Apply plumber's putty or silicone sealant as directed by the drain manufacturer to ensure a watertight seal.
3. Connect the P-trap and waste pipe to the drain assembly, ensuring all connections are tight and leak-free.
4. Connect the hot and cold water supply lines to the faucet.

4.4 Final Steps

1. Slowly turn on the main water supply and check all connections for leaks. Tighten any connections as necessary.
2. Test the faucet and drain for proper operation.
3. Clean any excess sealant or debris from the sink surface.

5. OPERATING INSTRUCTIONS

The Swiss Madison Lisse sink operates like any standard bathroom sink. Simply turn on the faucet to control water flow and temperature. The sink features a basin depth of 4 inches and an integrated overflow to prevent accidental spills.

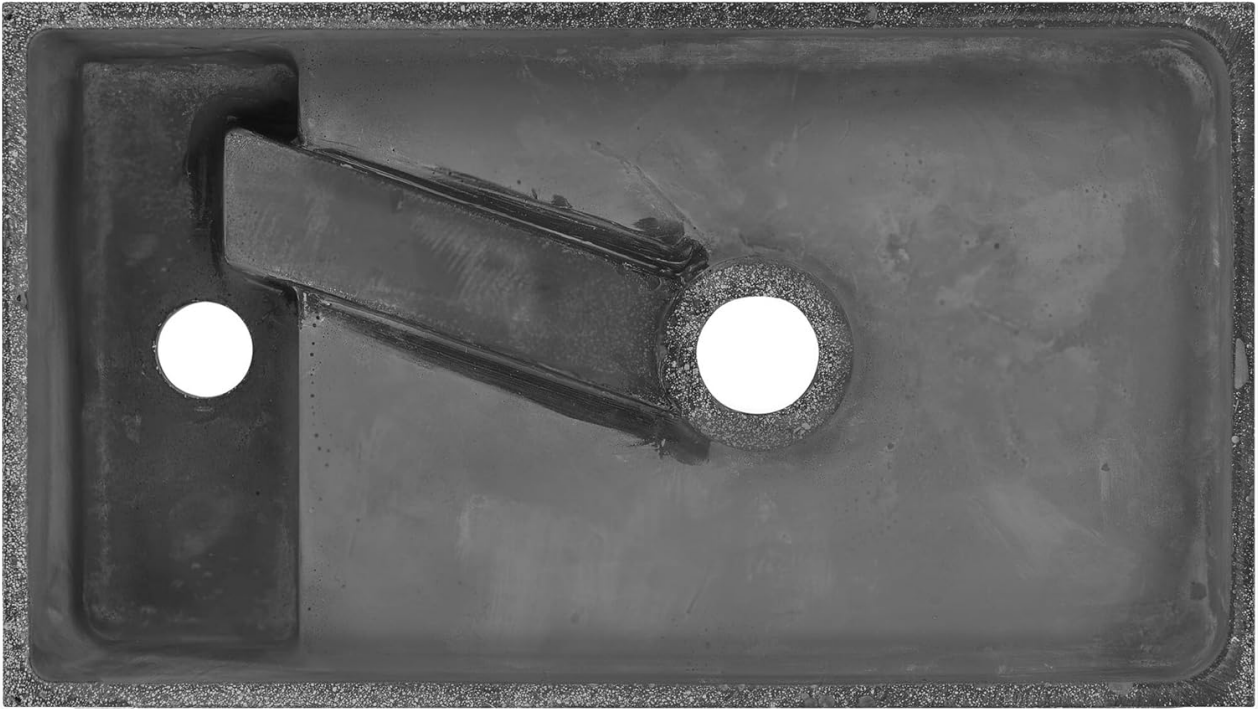
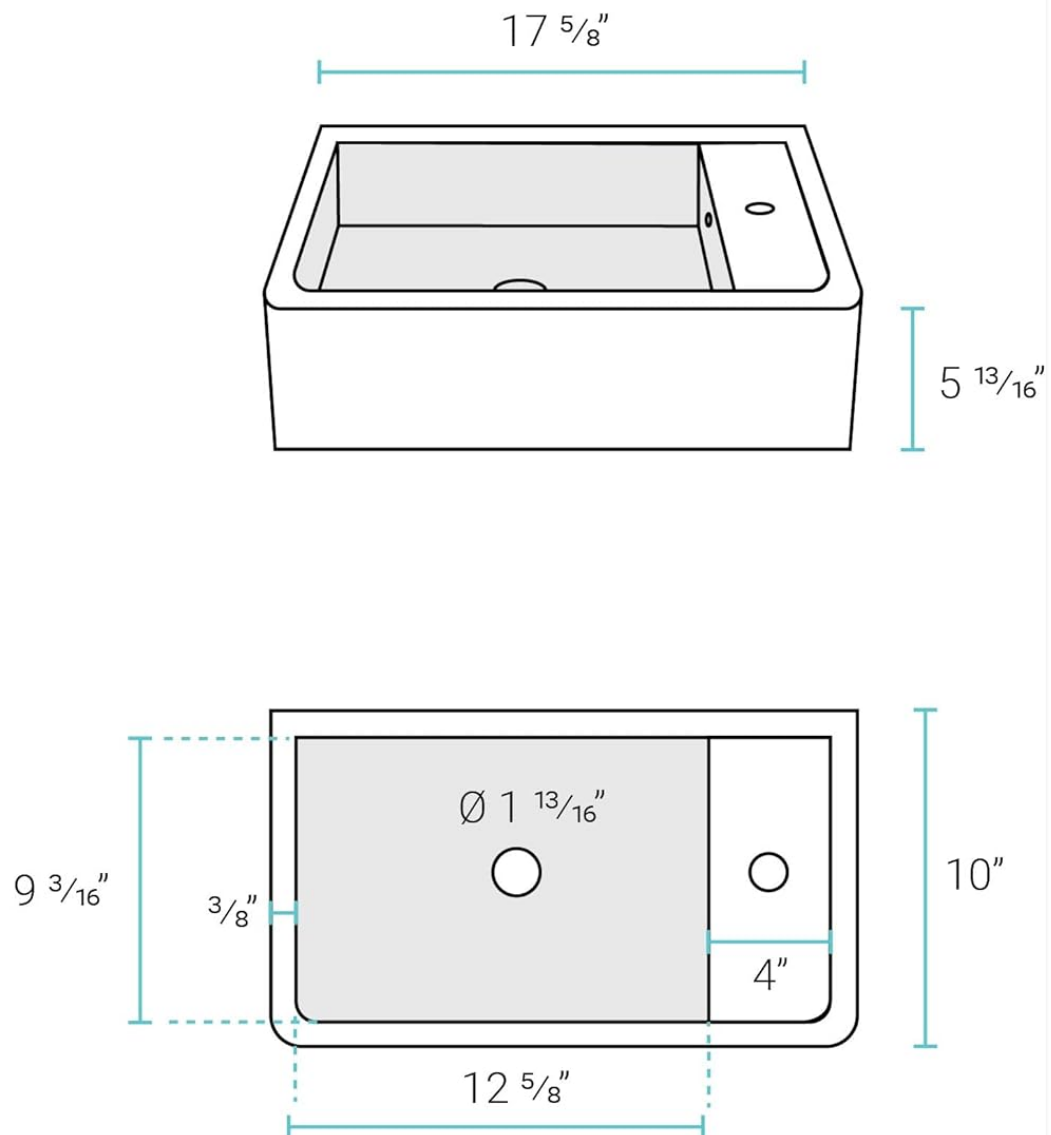


Image: Top-down view of the Lisse sink basin, showing the faucet hole and drain opening.

6. MAINTENANCE

Proper care and maintenance will ensure the longevity and appearance of your Swiss Madison Lisse concrete sink.

- **Daily Cleaning:** Wipe the sink surface with a soft, dry cloth after each use to prevent water spots and soap scum buildup.
- **Regular Cleaning:** For deeper cleaning, use a mild, non-abrasive cleaner specifically designed for concrete or natural stone surfaces. Avoid harsh chemicals, abrasive pads, or acidic cleaners (e.g., vinegar, lemon juice) as these can damage the concrete finish.
- **Stain Prevention:** Concrete is stain-resistant but not stain-proof. Wipe up spills immediately, especially those from acidic liquids, oils, or dyes.
- **Avoid Impact:** While durable, concrete can chip or crack under heavy impact. Avoid dropping heavy objects into the sink.
- **Sealing:** Concrete sinks may benefit from periodic re-sealing to maintain their protective barrier. Consult a concrete care specialist for recommendations on suitable sealants and application frequency.



SM-WSC111E

Image: Close-up view of the concrete material, highlighting its texture and matte finish.

7. TROUBLESHOOTING

This section addresses common issues you might encounter with your sink.

7.1 Leaks

- **Around Faucet Base:** Check the faucet's mounting nuts and O-rings. Tighten if loose, replace O-rings if worn.
- **Around Drain:** Ensure the drain assembly is properly sealed with plumber's putty or silicone. Tighten the

locknut underneath the sink.

- **P-Trap Connections:** Verify all P-trap connections are tight and washers are correctly seated.

7.2 Slow Drainage or Clogging

- **Drain Stopper:** Remove the drain stopper and clean any hair or debris accumulated around it.
- **P-Trap:** Disassemble the P-trap and clear any blockages. Place a bucket underneath to catch water.
- **Ventilation:** Ensure your plumbing system's vent pipe is not blocked, as this can cause slow drainage.

7.3 Surface Discoloration or Stains

- Refer to the Maintenance section for appropriate cleaning agents for concrete.
- For stubborn stains, consult a professional concrete cleaning service or product.

8. SPECIFICATIONS

Feature	Detail
Brand	Swiss Madison
Model Number	SM-WSC111E
Color	Matte Dark Gray
Material	Concrete
Product Dimensions (D x W x H)	17.88" x 10" x 5.81"
Item Weight	13 Pounds
Installation Type	Wall-Mount
Faucet Hole Count	1 (1 3/8" standard size)
Faucet Mount Side	Right Side
Basin Depth	4 Inches
Drain Type	Drain sold separately (Recommended: SM-PD23G)
Shape	Rectangular
Finish Type	Matte
UPC	810082332766

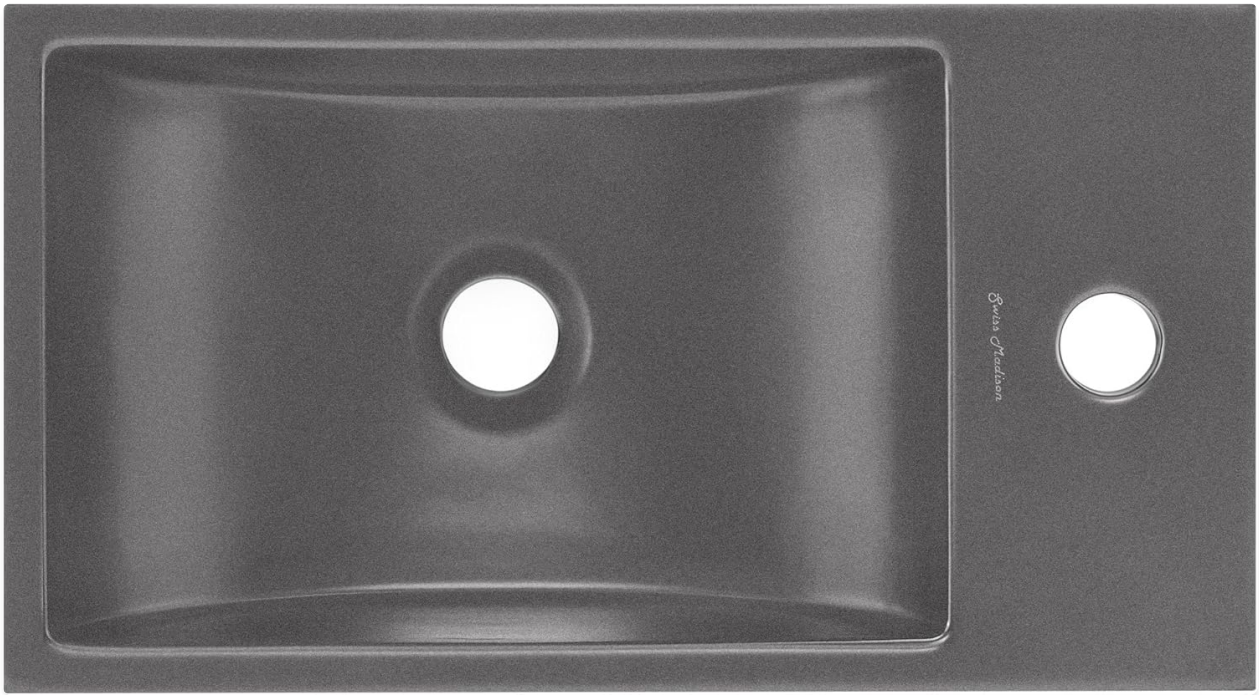


Image: Technical drawing displaying the precise dimensions of the Swiss Madison Lisse sink.

9. WARRANTY AND SUPPORT

For warranty information or technical support, please contact Swiss Madison directly. Keep your purchase receipt as proof of purchase.

- **Swiss Madison Website:** www.swissmadison.com
- **Customer Service:** Refer to the official Swiss Madison website for the most current contact information.