



[Manuals.plus](#) /

› [Viugreum](#) /

› Viugreum 5000K LED Shop Lights 2FT 20W 2400lm Instruction Manual Model 4700

Viugreum 4700

Viugreum 5000K LED Shop Lights Instruction Manual

Model: 4700

1. INTRODUCTION

Thank you for choosing Viugreum LED Shop Lights. This manual provides essential information for the safe installation, operation, and maintenance of your new lighting fixtures. Please read these instructions thoroughly before installation and retain them for future reference.

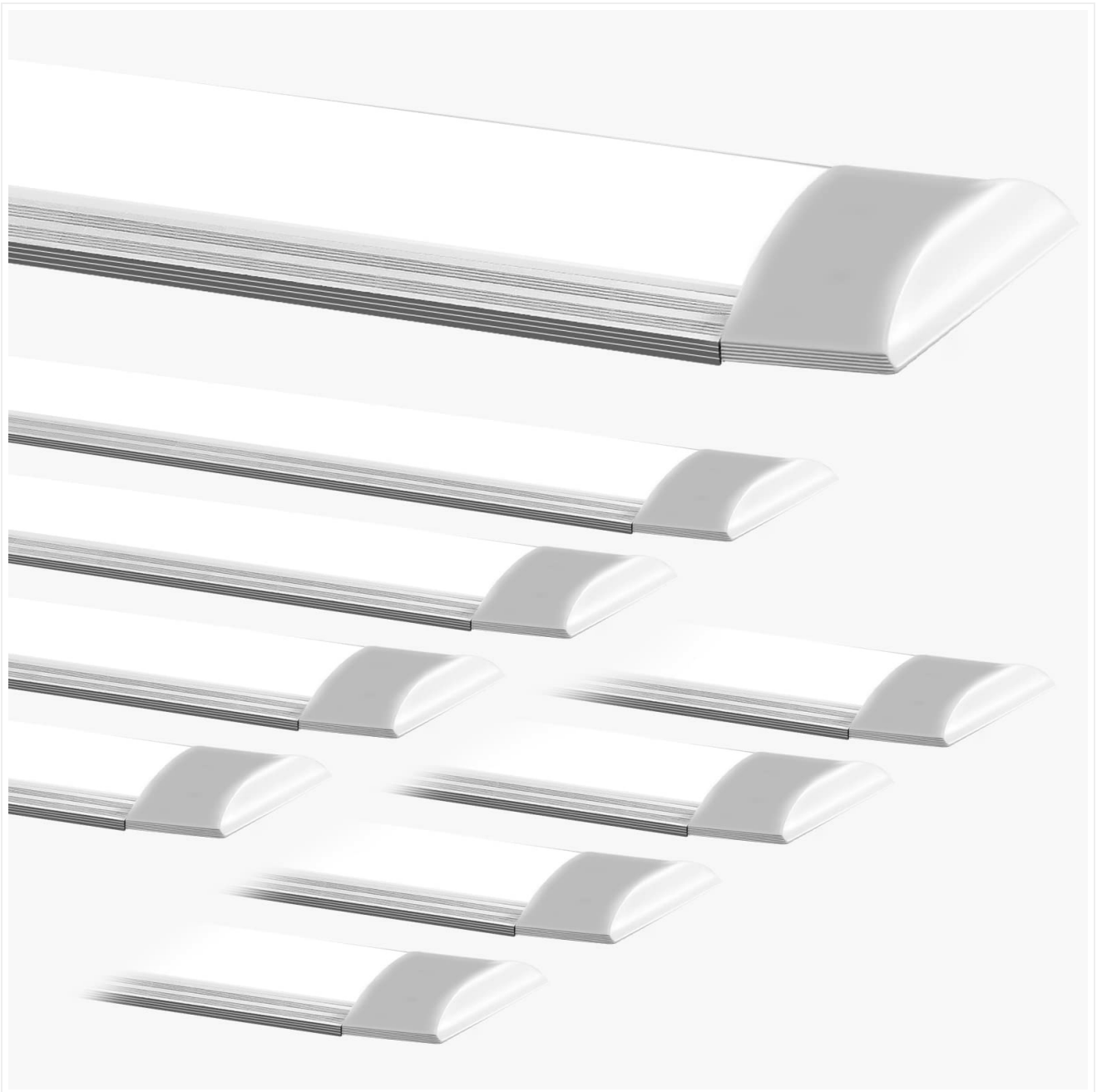


Image 1.1: A single 2-foot Viugreum LED shop light illuminated, demonstrating its length and bright output.

These 2-foot, 20W LED shop lights provide 2400 lumens of super bright 5000K daylight illumination, ideal for various indoor applications such as basements, workshops, garages, warehouses, and other storage areas. They are designed for high output and energy efficiency.

2. SAFETY INFORMATION

Please observe the following safety precautions to prevent injury or damage:

- **Disconnect Power:** Always turn off the power at the circuit breaker before installing, cleaning, or servicing the fixture.
- **Qualified Electrician:** If you are unsure about the installation process, consult a qualified electrician.
- **Proper Wiring:** Ensure all electrical connections comply with local codes and ordinances.
- **Indoor Use Only:** This product is designed for indoor use. Do not expose to water or moisture.
- **Secure Mounting:** Ensure the fixture is securely mounted to a structurally sound surface.
- **Avoid Direct Eye Exposure:** Do not stare directly into the LED light source when illuminated, as it may cause eye strain.

3. PACKAGE CONTENTS

Verify that all components are present before beginning installation. The package includes:

- Viugreum 2FT LED Shop Lights (8 units)
- Mounting Clips (16 units, 2 per light)
- Mounting Screws (sufficient quantity)
- Wall Anchors (sufficient quantity)



Image 3.1: Illustration of included accessories: mounting clips, screws, wall anchors, and a basic wiring diagram showing Neutral (N) and Live (L) connections.

4. SPECIFICATIONS

| Feature | Specification |
|--------------|---------------|
| Brand | Viugreum |
| Model Number | 4700 |

| Feature | Specification |
|----------------------|---------------------------------|
| Light Source | LED |
| Wattage | 20 Watts per fixture |
| Brightness | 2400 Lumens per fixture |
| Color Temperature | 5000K Daylight |
| Voltage | 110-120V AC |
| Material | Aluminum, Eco-PC |
| Fixture Type | Non-Removable Integrated Tubes |
| Mounting Type | Flush Mount (Ceiling or Wall) |
| Indoor/Outdoor Usage | Indoor |
| Item Weight | 4.64 Pounds (for the pack of 8) |

PRODUCT SIZE



Image 4.1: Visual representation of product features including various lengths (though this model is 2FT/60cm), highlighting benefits like high light efficiency and long lifespan.

COLOR TEMPERATURE

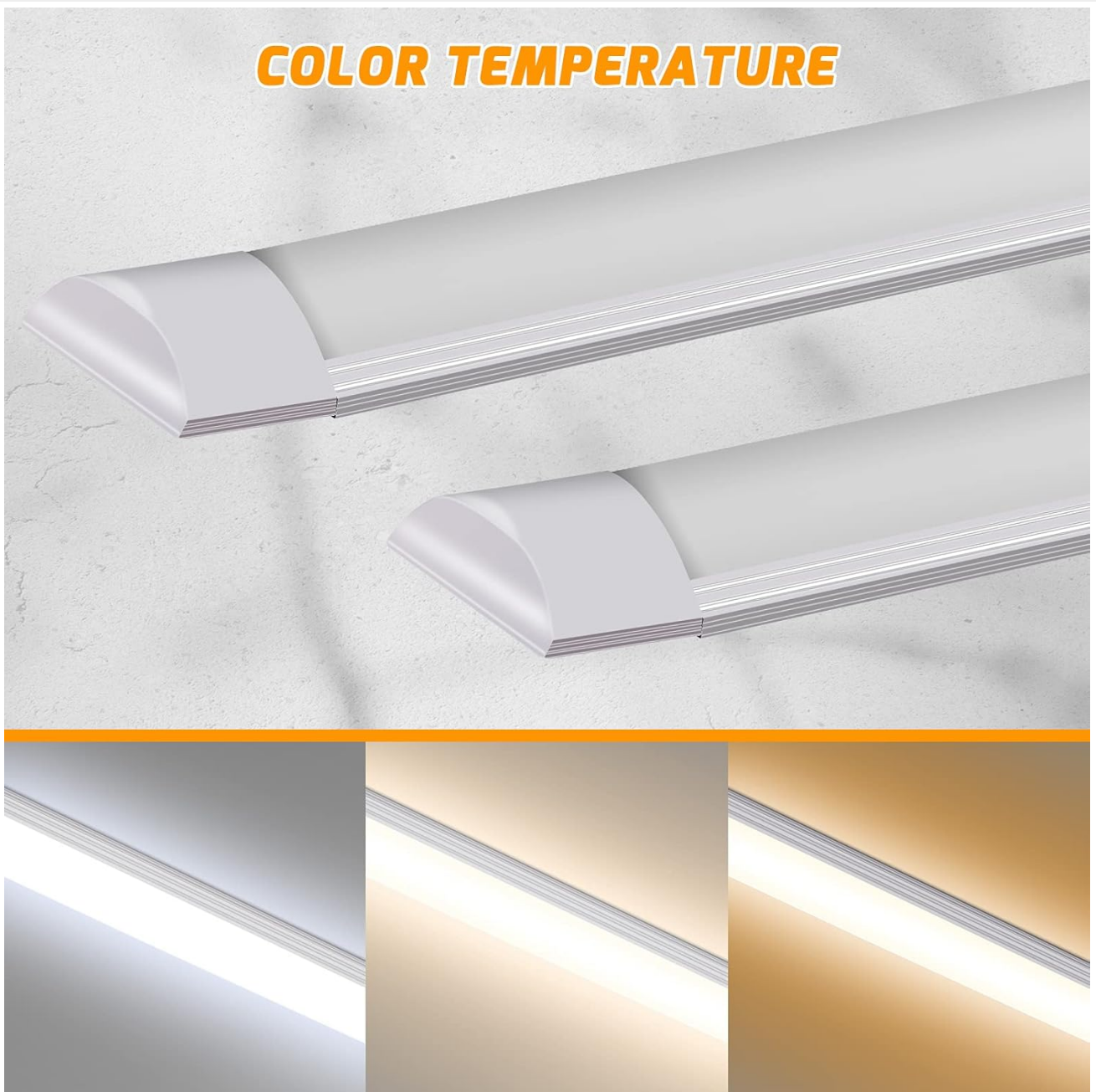


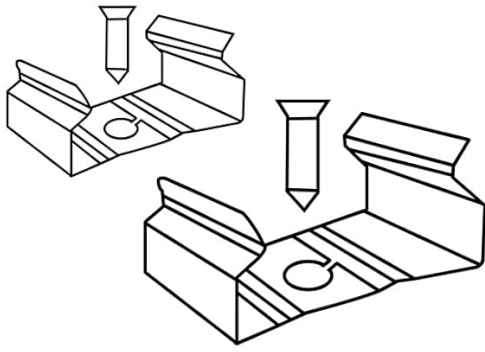
Image 4.2: Depiction of different color temperatures, illustrating the 5000K daylight white light provided by these fixtures.

5. SETUP AND INSTALLATION

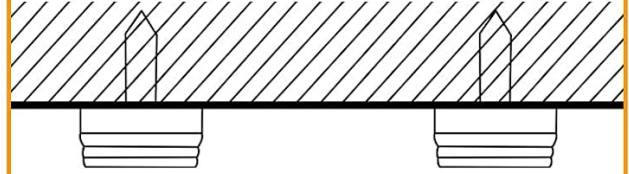
IMPORTANT: Ensure power is OFF at the circuit breaker before starting installation.

1. **Prepare Mounting Location:** Identify the desired installation position on the wall or ceiling.
2. **Mark and Drill:** Place the mounting clips at the desired position and mark the screw holes. Drill pilot holes if necessary, and insert wall anchors if mounting into drywall.
3. **Secure Clips:** Fix the mounting clips to the surface using the provided screws. Ensure they are firmly attached and spaced correctly for the 2-foot fixture.
4. **Wiring:** Connect the fixture's wires to your electrical supply. Typically, the brown wire connects to Live (L) and the blue wire connects to Neutral (N). If a ground wire is present, connect it appropriately. Ensure all connections are secure and insulated. (*Note: The shop light does not include a plug and requires direct wiring.*)
5. **Attach Fixture:** Carefully press the LED shop light into the secured mounting clips until it snaps into place. Ensure both ends are properly seated.
6. **Restore Power:** Once installation is complete and all connections are secure, restore power at the circuit breaker.

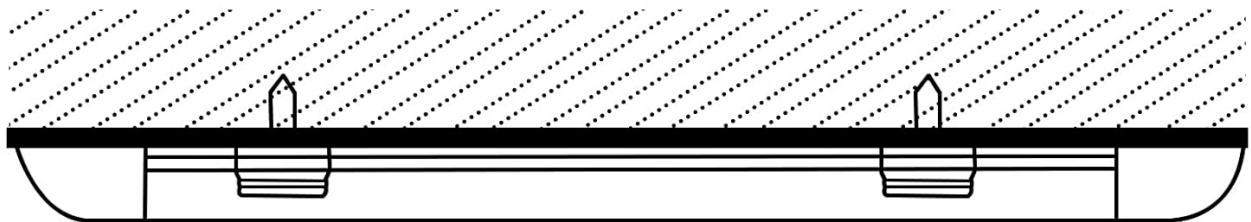
INSTALLATION DIAGRAM



1. Corresponding to the installation position, set the position of the buckle



2. Fix the buckle with screws



3. Press the lamp into the buckle, the installation is complete

(PS: off the power before installation and dismantlement)

Image 5.1: Step-by-step installation diagram illustrating how to position and fix the mounting clips with screws, then secure the light fixture into the clips.

6. OPERATING INSTRUCTIONS

Operating the Viugreum LED Shop Light is straightforward:

- Once properly installed and wired to a power source, the light can be controlled via a standard wall switch or an app if connected to a smart home system (control method: App, Push Button as per specifications).
- Flip the switch to the 'ON' position to illuminate the light.
- Flip the switch to the 'OFF' position to turn off the light.

7. MAINTENANCE

These LED shop lights require minimal maintenance:

- **Cleaning:** Ensure the power is off before cleaning. Use a soft, dry, or slightly damp cloth to wipe the surface of the fixture. Do not use abrasive cleaners or solvents.
- **Inspection:** Periodically check the mounting clips and wiring connections to ensure they remain secure.

- **No User-Serviceable Parts:** The LED tubes are integrated and not designed to be replaced by the user. Do not attempt to disassemble the fixture.

8. TROUBLESHOOTING

If you encounter issues with your Viugreum LED Shop Light, refer to the following common problems and solutions:

| Problem | Possible Cause | Solution |
|------------------------|---|--|
| Light does not turn on | No power supply Loose wiring connection Faulty switch | Check circuit breaker and wall switch. Ensure all wiring connections are secure (power off first). Test the switch with another device or replace if faulty. |
| Light flickers | Unstable power supply Loose connection | Verify stable power input. Check wiring connections (power off first). |
| Light is dim | Dust or dirt on fixture | Clean the fixture with a soft, dry cloth (power off first). |

If the problem persists after attempting these solutions, please contact Viugreum customer service for further assistance.

9. WARRANTY AND SUPPORT

Viugreum LED Shop Lights come with a **5-Year Warranty** from the date of purchase. This warranty covers defects in materials and workmanship under normal use.

For warranty claims, technical support, or any questions regarding your product, please contact Viugreum customer service. Our customer service team is available to provide assistance.

For more information or to contact support, please visit the [Viugreum Store on Amazon](#).