

[Manuals.plus](#) /

> [Solofish](#) /

> SOLOFISH SL-1039 500lm Pistol Light and Blue/Green Laser Combo User Manual

Solofish SL-1039

SOLOFISH SL-1039 500lm Pistol Light and Blue/Green Laser Combo User Manual

Model: SL-1039 | Brand: Solofish

1. INTRODUCTION

This manual provides detailed instructions for the safe and effective use of your SOLOFISH SL-1039 500lm Pistol Light and Blue/Green Laser Combo. Please read this manual thoroughly before installation and operation. Keep it for future reference.

2. SAFETY INFORMATION

- **Laser Radiation:** The laser beam output is Class IIIA, <5mW. Avoid direct eye exposure to the laser beam.
- **Proper Handling:** Always handle firearms and accessories responsibly and in accordance with all local and federal laws.
- **Secure Mounting:** Ensure the device is securely mounted to prevent accidental detachment during use.
- **Charging:** Use only the provided charging cable. Do not attempt to disassemble the internal battery.

3. WHAT'S IN THE BOX

Verify that all items are present upon unboxing:

- 500 Lumens Aluminum Flashlight Laser Combo (x1)
- Charging Cable (x1)
- Adjustment Tooling (x2)
- Spare Screw (x1)
- User Manual (x1)



Figure 3.1: Included components of the SOLOFISH SL-1039.

4. SPECIFICATIONS

Feature	Detail
Brand	Solofish
Model Name	SL-1039
Color	Blue & Green Laser Light Combo
Product Dimensions	1.45"L x 1.09"W x 1.45"H
Item Weight	75 Grams (2.43 oz)
Material	Aluminum Alloy
Compatible Devices	Handgun, Rifle, Shotgun (with 21MM Picatinny rail and ≥ 0.96 inch installation space)

Feature	Detail
Mounting Type	Picatinny Mount
Reticle Type	Laser Dot (Blue & Green)
Flashlight Output	500 Lumens
Laser Output	Class IIIA, <5mW
Battery	Rechargeable Built-in Battery
Charging Time	1.5 hours (full charge via USB)
Run Time (Laser Only)	5 hours
Run Time (Flashlight Only)	1 hour
Run Time (Light + Laser)	45 minutes
Water Resistance	IPX4

5. SETUP

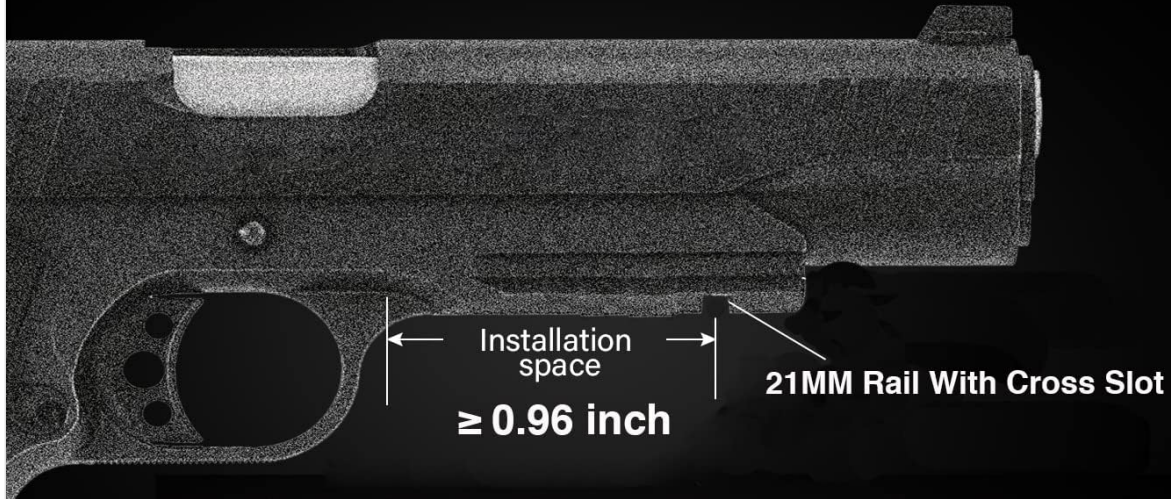
5.1. Installation Requirements

Before attempting to mount the device, ensure your firearm meets the following two requirements:

- 21MM Picatinny Rail:** The firearm must have a 21mm Picatinny rail with a cross slot.
- Minimum Installation Space:** There must be at least 0.96 inches of installation space from the rail slot to the trigger guard.

Check dimensions of your rail to meet below two requirements, or it will not fit.

- (1) 21mm Picatinny with slot
- (2) ≥ 0.96 inch installation space: slot---trigger guard



Not Fit for Glock 19C, which has no Picatinny rail

21 mm ONLY !	Need ≥ 0.96 in
<p>Standard Rail with Screw slot</p>	<p>The "Installation Space" from slot to trigger guard should be at least 0.96 inch</p>

Figure 5.1: Essential installation space and rail type for compatibility.

Make sure your pistol meet below TWO requirements:

- (1) 21mm Picatinny with slot
- (2) ≥ 0.96 inch installation space: slot---trigger guard



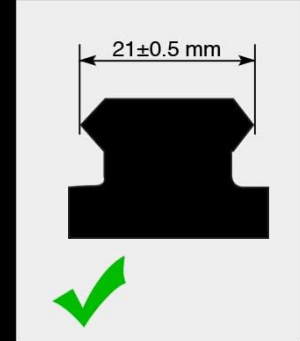
1. Picatinny with Multi-Slots



2. Picatinny with One-Slot



3. Picatinny on Rifle



4. Standard Picatinny

NOT fit for pistols as below:



1. No Rail



2. Not Pica-tinny



3. NO SLOT



4. No Enough Space

Figure 5.2: Visual guide for compatible and incompatible rail systems.

Your browser does not support the video tag.

Video 5.1: A short demonstration on how to check if the light fits your pistol, emphasizing the rail and space requirements.

5.2. Mounting Procedure

The device is designed for easy installation with a single screw. Choose one of the two alternative screw holes for optimal positioning on your rail.

1. Loosen and pull out the screw.
2. Put the light on the rail, insert the pin into the slot of the rail.
3. Put the right-side clamp on the light, slide the light backward to get the desired position, align the screw holes of the clamp and rail adapter.
4. Insert and tighten the screw.

Only one screw, Easy to install

21 mm Picatinny with Slot

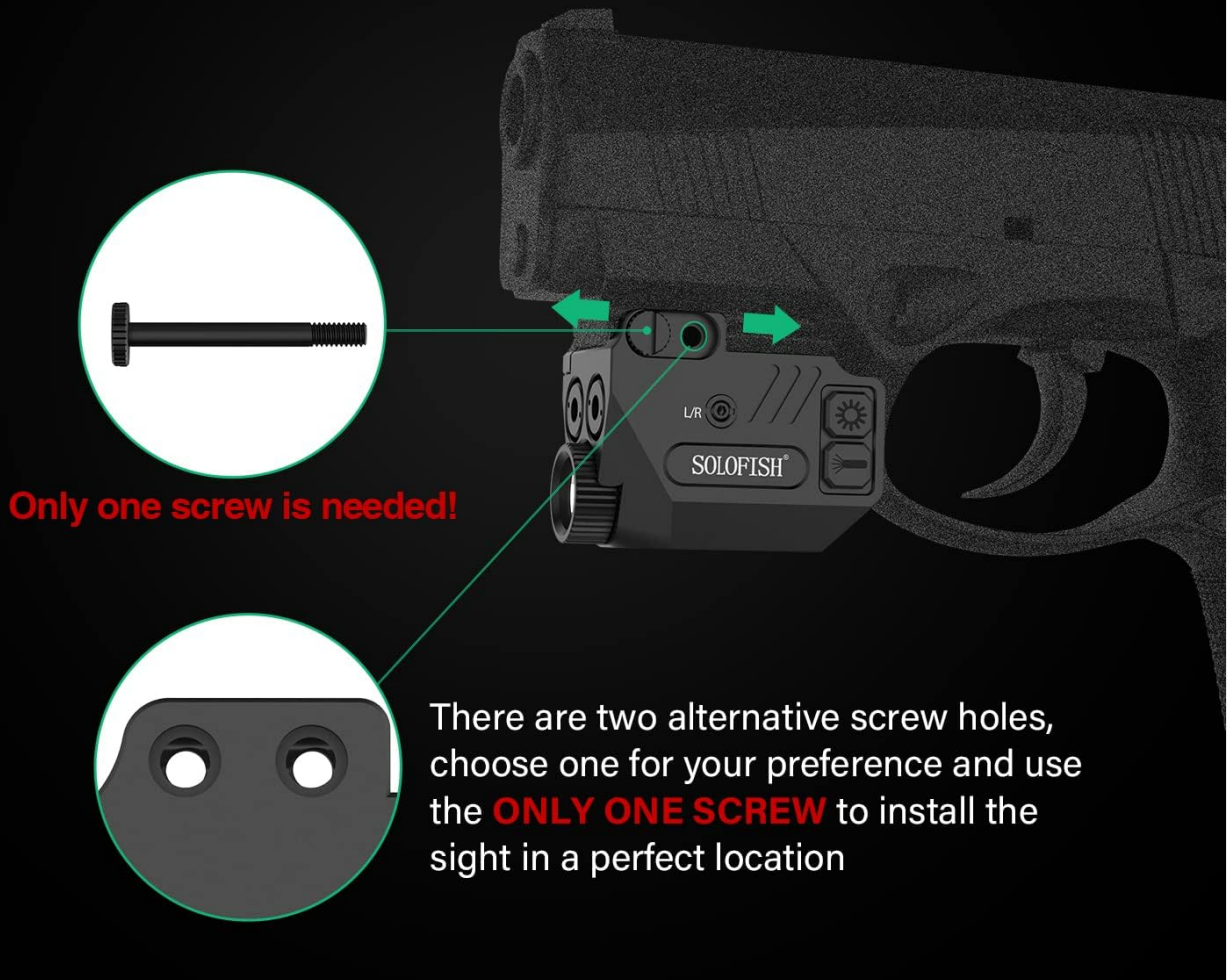


Figure 5.3: Step-by-step guide for mounting the device.

5.3. Charging the Device

The SL-1039 features a built-in rechargeable battery. A full charge takes approximately 1.5 hours using the provided USB cable.

- Connect the USB charging cable to the device's charging port.
- A **red indicator light** signifies charging or low battery.
- A **green indicator light** indicates a full charge.

8hr/laser,
1hr/Flashlight
45min / laser & Flashlight



USB charging



Red Light In Charging or Low Power



Green Light Full Charging

Figure 5.4: Charging port and indicator lights.

6. OPERATING INSTRUCTIONS

6.1. Power On/Off and Mode Selection

The device offers multiple tactical modes for various situations:

- **Green Laser Mode:** Press the right button.
- **Blue Laser Mode:** Press the left button.
- **Steady Flashlight Mode:** Press the flashlight button once.
- **Strobe Flashlight Mode:** Press and hold the flashlight button for 3 seconds to activate/deactivate strobe.
- Combinations such as Flashlight + Green Laser or Flashlight + Blue Laser are also available.

Multi Tactical Modes



Steady
White light



Strobe
White light



Blue
light only



Green
light only



Blue laser &
Flashlight



Green laser &
Flashlight



1. Green Laser Mode: Press the right button
2. Blue Laser Mode: Press the left button.
3. Steady Flashlight Mode: Press once the flashlight button.
4. Strobe Flashlight Mode On/Off: Press and hold the flashlight button for 3 seconds.

Figure 6.1: Overview of available tactical modes.

Your browser does not support the video tag.

Video 6.1: A demonstration of the SOLOFISH 500 Lumens Pistol Laser Light Combo, showcasing its features and mode selection.

6.2. Laser Adjustment

To adjust the laser sight for elevation (UP/D) and windage (L/R), use the provided adjustment tools. It is crucial to tune elevation and windage interactively and slowly. Adjusting only one direction excessively may damage the internal threads.

How to Adjust the Laser?

*Please slowly tune Elevation and Windage **interactively**.
Only one direction **may lock** or damage the the threads.*

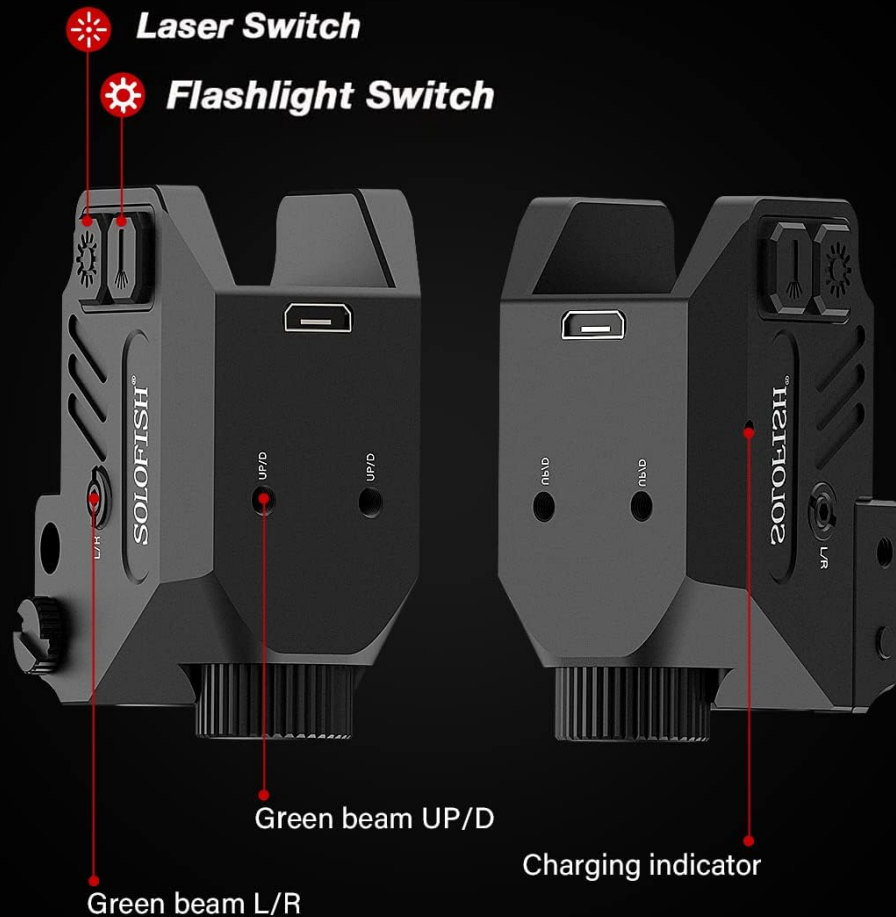


Figure 6.2: Laser adjustment points for precise aiming.

7. MAINTENANCE

- **Cleaning:** Use a soft, dry cloth to clean the device. Avoid abrasive materials or harsh chemicals.
- **Storage:** Store the device in a cool, dry place away from direct sunlight and extreme temperatures.
- **Battery Care:** Recharge the battery regularly, even if not in use, to maintain optimal battery life.

8. TROUBLESHOOTING

- **Device Not Turning On:** Ensure the battery is charged. Connect the device to the charging cable and check the indicator light.
- **Laser Not Visible/Weak:** Check battery level. Ensure the laser aperture is not obstructed.
- **Flashlight Not Working:** Check battery level. Ensure the flashlight button is pressed correctly.
- **Difficulty Adjusting Laser:** Ensure you are turning both elevation and windage screws interactively and slowly to avoid damaging threads.

9. WARRANTY AND SUPPORT

The SOLOFISH SL-1039 comes with a **1-year warranty** from the date of purchase. For warranty claims, technical support, or any inquiries, please contact SOLOFISH customer service or visit the official brand store.

Official SOLOFISH Brand Store: [Visit SOLOFISH Store](#)