

[Manuals.plus](#) /

> [GATEXPERT](#) /

> GATEXPERT SW440DC Single Arm Swing Gate Opener Kit Instruction Manual

## GATEXPERT SW440DC-SINGLE

# GATEXPERT SW440DC Single Arm Swing Gate Opener Kit

Model: SW440DC-SINGLE | Brand: GATEXPERT

## 1. INTRODUCTION

This manual provides detailed instructions for the installation, operation, and maintenance of your GATEXPERT SW440DC Single Arm Swing Gate Opener Kit. Please read this manual thoroughly before installation and operation to ensure safe and efficient use of the product. Keep this manual for future reference.



## 2. PRODUCT FEATURES

---

- **Maximum Gate Capacity:** Supports a single gate leaf up to 200kg (440lbs) in weight and 6.56 feet in length.
- **Power Compatibility:** Operates on 24VDC and is compatible with 24V solar systems (solar system not included). Includes a transformer in the control box for direct connection to a 110V AC power supply.
- **Pre-Programmed Remotes:** The two remote controls included in the package are pre-learned at the factory, eliminating the need for initial programming.
- **Automatic Travel Setting:** Features an automatic travel setting function that simplifies setup after installation.
- **Low Power Consumption:** The control board automatically enters a low consumption mode after one minute of inactivity on the initial screen, conserving energy.

## 3. COMPONENTS OVERVIEW

---

The GATEXPERT SW440DC kit includes the following main components:

- **Swing Gate Opener Arm:** The primary motorized arm responsible for opening and closing the gate.
- **Control Box:** Houses the control board and power connections for the gate opener.
- **Remote Controls (2 pcs):** Used to wirelessly operate the gate opener.
- **Mounting Hardware:** Brackets, bolts, and nuts required for securing the opener to the gate and post.
- **Limit Stop:** A physical stop mechanism for the gate's travel.



Figure 2: Control Box Internal View



Figure 3: Remote Control



Figure 4: Limit Stop



Figure 5: Example of a complete gate opener system setup.

## 4. SETUP AND INSTALLATION

Proper installation is crucial for the safe and effective operation of your gate opener. Ensure all components are securely mounted according to the provided diagrams and local building codes.

### 4.1. Power Connection

The motor operates on 24VDC. You can connect it to a 24V solar system (not included) or utilize the built-in

transformer to connect directly to a 110V AC power supply.

## 4.2. Travel Setting

After installing the gate opener, it is essential to perform the travel setting procedure. This calibrates the opener to your gate's specific opening and closing limits.

Video 1: Demonstrates the travel setting procedure for the GATEXPERT SW440DC gate opener. This video shows how to initiate the travel setting by pressing a button on the control board, allowing the gate to automatically learn its open and close positions.

1. Ensure the gate is fully open or open halfway, and the clutch is locked.
2. Press and hold the "-" button on the control board until the digital screen displays "SU".
3. The gate will first move towards the closing direction and stop.
4. When both swing gates are fully open, the gates will automatically close for the second time.
5. The travel setting is complete once the gates are fully closed.

## 5. OPERATING INSTRUCTIONS

---

### 5.1. Using the Remote Control

The included remote controls are pre-programmed for convenience. Simply press the designated button on the remote to initiate the gate's opening or closing sequence.

### 5.2. Low Consumption Mode

To conserve power, the control board automatically enters a low consumption mode if there is no operation detected on the initial screen for one minute. This feature helps extend the lifespan of your power source, especially in solar-powered setups.

## 6. MAINTENANCE

---

Regular maintenance ensures the longevity and optimal performance of your GATEXPERT gate opener. Perform the following checks periodically:

- **Cleanliness:** Keep the gate opener arms and control box free from dirt, debris, and obstructions.
- **Lubrication:** Periodically check and lubricate moving parts of the gate and opener arms as recommended by general gate maintenance practices.
- **Fasteners:** Inspect all mounting bolts and screws for tightness. Tighten any loose fasteners to prevent misalignment or damage.
- **Wiring:** Check all electrical connections and wiring for any signs of wear, fraying, or damage. Ensure connections are secure.
- **Gate Movement:** Observe the gate's movement during operation. It should move smoothly without excessive noise or strain. Address any unusual behavior promptly.

## 7. TROUBLESHOOTING

---

If you encounter issues with your gate opener, refer to the following common troubleshooting tips:

- **Gate Not Responding:** Check power supply, remote control battery, and ensure no obstructions are blocking the gate's path. Verify the travel setting is correctly calibrated.
- **Gate Stops Mid-Operation:** This could indicate an obstruction, a power fluctuation, or an issue with the limit

switches. Clear any obstructions and check power.

- **Unusual Noises:** Inspect for loose components, lack of lubrication, or worn parts.
- **Remote Control Issues:** Replace remote batteries. If issues persist, re-pair the remote with the control board (refer to specific pairing instructions if needed, though factory pre-learned).

For persistent issues, please contact customer support.

## 8. SPECIFICATIONS

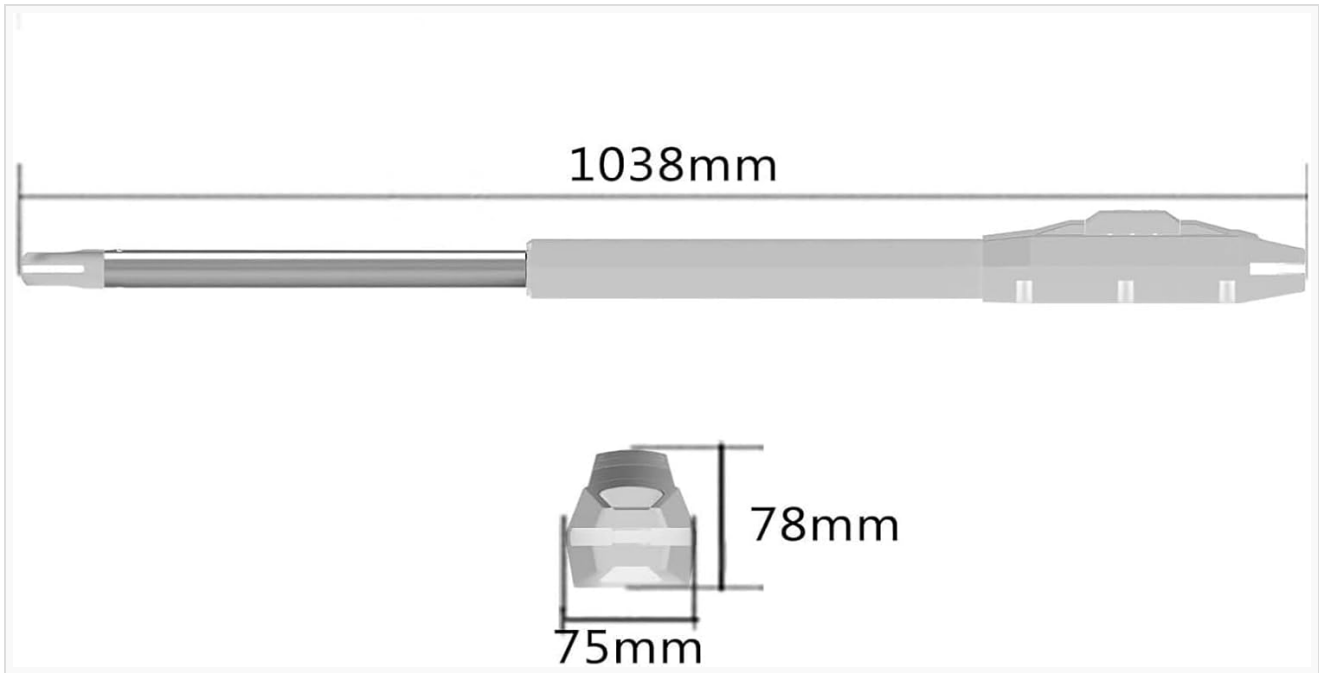


Figure 6: Gate Opener Arm Dimensions

Attribute	Value
Manufacturer	GATEXPERT
Item Model Number	SW440DC-SINGLE
Item Weight	18.96 pounds
Package Dimensions	32.5 x 10.5 x 7.8 inches
Country of Origin	China
Size	SW440DC-SINGLE
Color	Flash Silver
Batteries Included?	No
Batteries Required?	No
Date First Available	July 1, 2022

## 9. WARRANTY AND SUPPORT

GATEXPERT offers a **one-year warranty** for this product. Additionally, free return and replacement are available

within 30 days of purchase.

For any questions, technical assistance, or problems, please feel free to contact our customer service via email. We are committed to providing the best possible support.

---

© 2024 GATEXPERT. All rights reserved.