

## Manuals+

[Q & A](#) | [Deep Search](#) | [Upload](#)

manuals.plus /

- › [Starax](#) /
- › [Instruction Manual for Starax Narrow Sliding Two Rack Cabinet Organizer](#)

## Starax S-2477

# Instruction Manual for Starax Narrow Sliding Two Rack Cabinet Organizer

Model: S-2477

## INTRODUCTION

---

The Starax Narrow Sliding Two Rack Cabinet Organizer is designed to maximize storage efficiency in narrow kitchen cabinets. Featuring two levels of storage and Blum soft-close undermount slides, this organizer provides convenient pull-out access for bottles, spices, and other kitchen essentials, transforming previously unused spaces into functional storage.

This manual provides detailed instructions for the proper installation, operation, and maintenance of your new cabinet organizer.

## SAFETY INFORMATION

---

- Always ensure all components are securely fastened before use.
- Do not overload the organizer beyond its intended weight capacity.
- Keep small parts away from children during assembly.
- Use appropriate tools and follow all instructions carefully to prevent injury or damage.
- If any parts are missing or damaged, do not proceed with assembly. Contact customer support.

## PACKAGE CONTENTS

---

Please verify that all the following components are included in your package:

- 1x Two-tier wire basket frame with integrated Blum undermount slides
- Mounting brackets and screws
- Installation template (if applicable, otherwise refer to measurements)
- Instruction manual

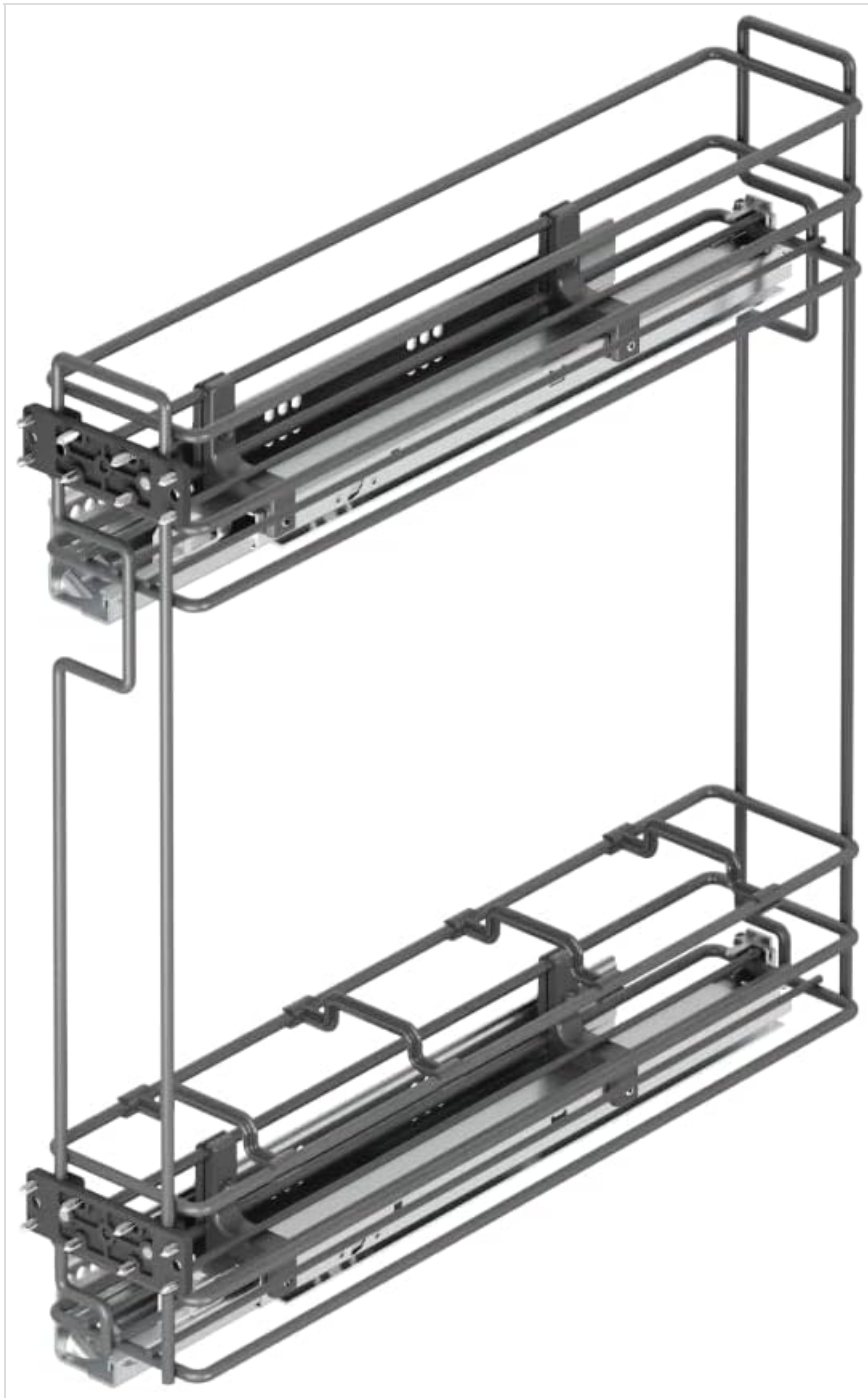


Image: The main components of the Starax Narrow Sliding Cabinet Organizer, including the two-tier wire basket frame with integrated Blum undermount slides.

## SETUP AND INSTALLATION

---

The Starax cabinet organizer is designed for easy installation. Follow these steps carefully:

1. **Prepare the Cabinet:** Ensure the cabinet interior is clean and clear of any obstructions. Measure the available space to confirm it accommodates the organizer's dimensions (4 3/16 inches Wide, 18 11/16 inches Deep, 19.5 inches High).
2. **Position the Organizer:** Place the organizer inside the cabinet at the desired location. Ensure it is flush against the back wall and centered within the narrow opening.



Image: The Starax Narrow Sliding Cabinet Organizer shown installed in a kitchen cabinet, demonstrating its pull-out functionality with bottles and spices.

3. **Mark Mounting Points:** Using a pencil, mark the screw holes for the mounting brackets on the cabinet floor. If an installation template is provided, use it for precise marking.
4. **Secure the Base:** Using a screwdriver or drill, fasten the organizer's base to the cabinet floor using the provided screws. Ensure it is firmly secured and does not wobble.
5. **Test Operation:** Gently pull the organizer out and push it back in to ensure the Blum soft-close slides operate smoothly and without obstruction.

## OPERATING INSTRUCTIONS

---

Using your Starax Narrow Sliding Cabinet Organizer is straightforward:

- **Loading:** Place bottles, spices, or other items into the two baskets. The bottom basket is ideal for taller items like bottles, while the top basket is suitable for smaller items.
- **Accessing Items:** Gently pull the organizer forward to extend it from the cabinet. The Blum soft-close slides will ensure a smooth and quiet operation.
- **Closing:** Push the organizer back into the cabinet. The soft-close mechanism will engage, pulling the

organizer fully into the cabinet without slamming.

## MAINTENANCE

---

To ensure the longevity and optimal performance of your Starax cabinet organizer, follow these maintenance tips:

- **Cleaning:** Wipe down the wire baskets and slides with a damp cloth and mild detergent as needed. Avoid abrasive cleaners or harsh chemicals that could damage the finish.
- **Drying:** Ensure all parts are thoroughly dried after cleaning to prevent rust or corrosion.
- **Slide Care:** The Blum slides are designed for maintenance-free operation. Avoid applying lubricants unless specifically instructed by the manufacturer, as this can attract dust and debris.
- **Regular Checks:** Periodically check all screws and fasteners to ensure they remain tight. Retighten if necessary.

## TROUBLESHOOTING

---

Problem	Possible Cause	Solution
Organizer does not slide smoothly.	Debris in slides, overloaded, or misaligned.	Clean slides, reduce load, check alignment and re-secure if needed.
Organizer wobbles after installation.	Screws not fully tightened, uneven cabinet floor.	Tighten all mounting screws. If cabinet floor is uneven, consider shimming.
Soft-close mechanism not engaging.	Organizer not pushed in fully, slide mechanism obstructed.	Ensure organizer is pushed completely into the cabinet. Check for any items blocking the slide mechanism.

## SPECIFICATIONS

---

Feature	Detail
Product Dimensions	19 x 19 x 4 inches (Approx. 4 3/16 inches Wide, 18 11/16 inches Deep, 19.5 inches High)
Item Weight	11.68 pounds
Manufacturer	Starax
Model Number	S-2477
Slide Type	Blum Soft Close Undermount Slides
Material	Chrome-plated metal

## WARRANTY AND SUPPORT

---

Starax products are manufactured to high-quality standards. For specific warranty information, please refer to the documentation included with your purchase or visit the official Starax website.

If you encounter any issues or require assistance with your product, please contact Starax customer support. Have your model number (S-2477) and purchase details ready when contacting support.

