



[Manuals.plus](#) /

> [Warehouse of Tiffany](#) /

> Warehouse of Tiffany Quara DW01W54CR 26 Inch Modern Glam Crystal Fandelier Instruction Manual

Warehouse of Tiffany DW01W54CR

Warehouse of Tiffany Quara DW01W54CR 26 Inch Modern Glam Crystal Fandelier Instruction Manual

Model: DW01W54CR

INTRODUCTION

This manual provides detailed instructions for the safe installation, operation, and maintenance of your Warehouse of Tiffany Quara 26 Inch Modern Glam Crystal Fandelier. Please read all instructions carefully before beginning installation and retain this manual for future reference. This fandelier combines a ceiling fan with a crystal light fixture, designed for indoor use in medium-sized rooms.

SAFETY INFORMATION

WARNING: To reduce the risk of electric shock, fire, or personal injury, always turn off the main power supply at the circuit breaker or fuse box before installation or maintenance.

- All electrical connections must be in accordance with local codes, ordinances, or national electrical codes. If you are unfamiliar with electrical wiring, consult a qualified electrician.
- Ensure the installation site can support the weight of the fandelier.
- Do not operate the fan with damaged blades. Replace any damaged blades immediately.
- Keep hands, clothing, and other objects clear of the fan blades when the fan is in operation.
- This product is for indoor use only and is not water resistant.

PACKAGE CONTENTS

Carefully unpack all components and ensure all items are present before discarding packaging materials. If any parts are missing or damaged, contact customer support.

- Fandelier Unit (Motor housing, downrod, canopy)
- Three (3) PC Blades

- Crystal Embellishments
- Light Kit (with 6 E27 bulb bases)
- Remote Control
- Mounting Hardware

SETUP AND INSTALLATION

Professional installation is recommended for electrical components. Ensure power is OFF at the circuit breaker before proceeding.

1. Mounting the Fandelier

This fandelier supports both flush mount and downrod mount installations. Select the appropriate method for your ceiling height and preference. Ensure the junction box is securely fastened to the building structure and can support the fandelier's weight.



Image: Close-up view of the fandelier's polished chrome canopy and downrod, showing the connection point to the ceiling. This component houses the wiring and supports the main unit.

2. Electrical Wiring

Connect the fandelier's electrical wires to your household wiring according to the provided wiring diagram (not included in this document, refer to product packaging for specific diagrams). Ensure all connections are secure and insulated with wire connectors. The fandelier requires a corded electric power source.

3. Attaching Blades and Light Kit

Securely attach the three (3) PC blades to the motor housing. Install six (6) E27 base bulbs (not included) into the light kit sockets. The maximum wattage per bulb is 25 watts.

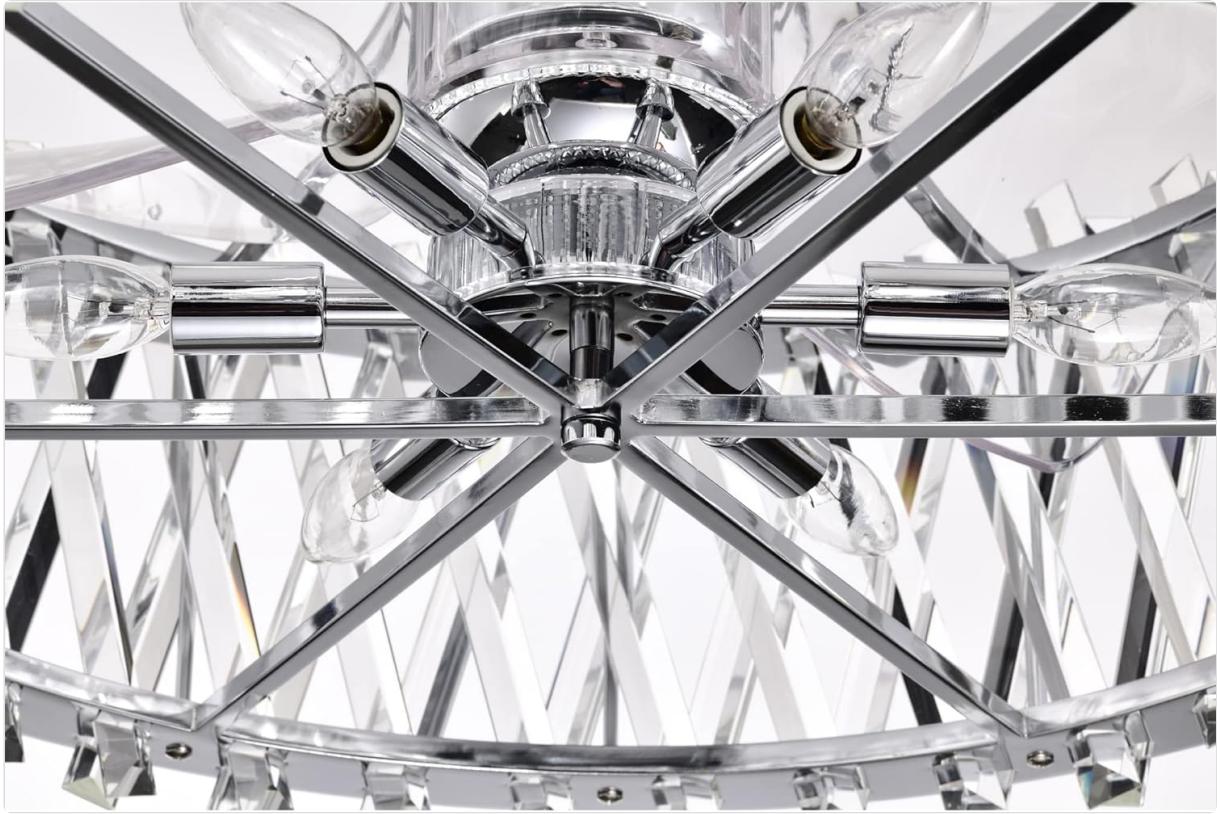


Image: Detailed view of the fandelier's internal structure, highlighting the six E27 bulb sockets and the metal framework that supports the crystal elements.

4. Installing Crystal Embellishments

Carefully attach the crystal embellishments to the fandelier frame. Refer to the product diagram for the correct placement and orientation of each crystal piece.



Image: Close-up shot showcasing the intricate arrangement and reflective quality of the crystal embellishments on the fandelier's outer drum. Each crystal piece is precisely cut to refract light.

Once all components are installed, restore power at the circuit breaker.

OPERATING INSTRUCTIONS

Your fandelier is controlled by a remote control. Ensure the remote has working batteries installed.

Remote Control Functions:

- **Power Button:** Turns the fandelier (fan and lights) on or off.
- **Fan Speed Buttons:** Adjusts the fan speed (typically low, medium, high).
- **Light On/Off Button:** Controls the light fixture independently of the fan.

Point the remote control directly at the fandelier for optimal response. The fan features three (3) PC blades for efficient airflow.



Image: The Warehouse of Tiffany Quara 26 Inch Modern Glam Crystal Fandelier, showcasing its polished chrome finish, crystal drum, and integrated fan blades. This image provides an overall view of the product.

MAINTENANCE

Regular maintenance ensures optimal performance and longevity of your fandelier.

Cleaning:

- **Metal Finish:** Wipe with a soft, dry cloth. Do not use abrasive cleaners or polishes, as they may

damage the polished chrome finish.

- **Crystal Embellishments:** Gently dust with a soft cloth or use a mild glass cleaner on a cloth, then wipe dry. Avoid spraying cleaner directly onto the crystals or electrical components.
- **Fan Blades:** Wipe the PC blades with a soft, damp cloth to remove dust.

Bulb Replacement:

Ensure power is OFF at the circuit breaker before replacing bulbs. Allow bulbs to cool completely before handling. Replace with E27 base bulbs, not exceeding 25 watts per bulb.

TROUBLESHOOTING

If you encounter issues with your fandelier, refer to the following common problems and solutions:

Problem	Possible Cause	Solution
Fandelier does not turn on.	No power supply; loose wiring; remote control battery dead.	Check circuit breaker. Ensure all wiring connections are secure. Replace remote control batteries.
Fan operates, but lights do not.	Bulbs are loose or burnt out; light kit wiring issue.	Tighten or replace bulbs. Check light kit wiring connections.
Fan makes excessive noise.	Loose mounting screws; unbalanced blades.	Ensure all mounting screws are tight. Check for any obstructions. Balance blades if necessary (balancing kit not included).
Remote control not responding.	Dead batteries; remote out of range; interference.	Replace remote batteries. Ensure you are within range and pointing at the fandelier. Remove any potential sources of interference.

SPECIFICATIONS

Refer to the following table for detailed product specifications:

Feature	Specification
Brand	Warehouse of Tiffany
Model Number	DW01W54CR
Color	Chrome Polish
Material	Metal, Crystal, Polycarbonate (Blades)
Style	Glam
Power Source	Corded Electric
Installation Type	Flush Mount, Downrod Mount
Special Feature	Remote Control
Control Method	Remote

Feature	Specification
Finish Type	Polished
Number of Light Sources	6
Wattage (Lights)	25 watts (per bulb, E27 base)
Electricity Use (Fan)	28 Watts (excludes lights)
Airflow	2,626 Cubic Feet Per Minute
Airflow Efficiency	48 Cubic Feet Per Minute Per Watt
Assembly Required	Yes
Certification	ETL

Dimensions:

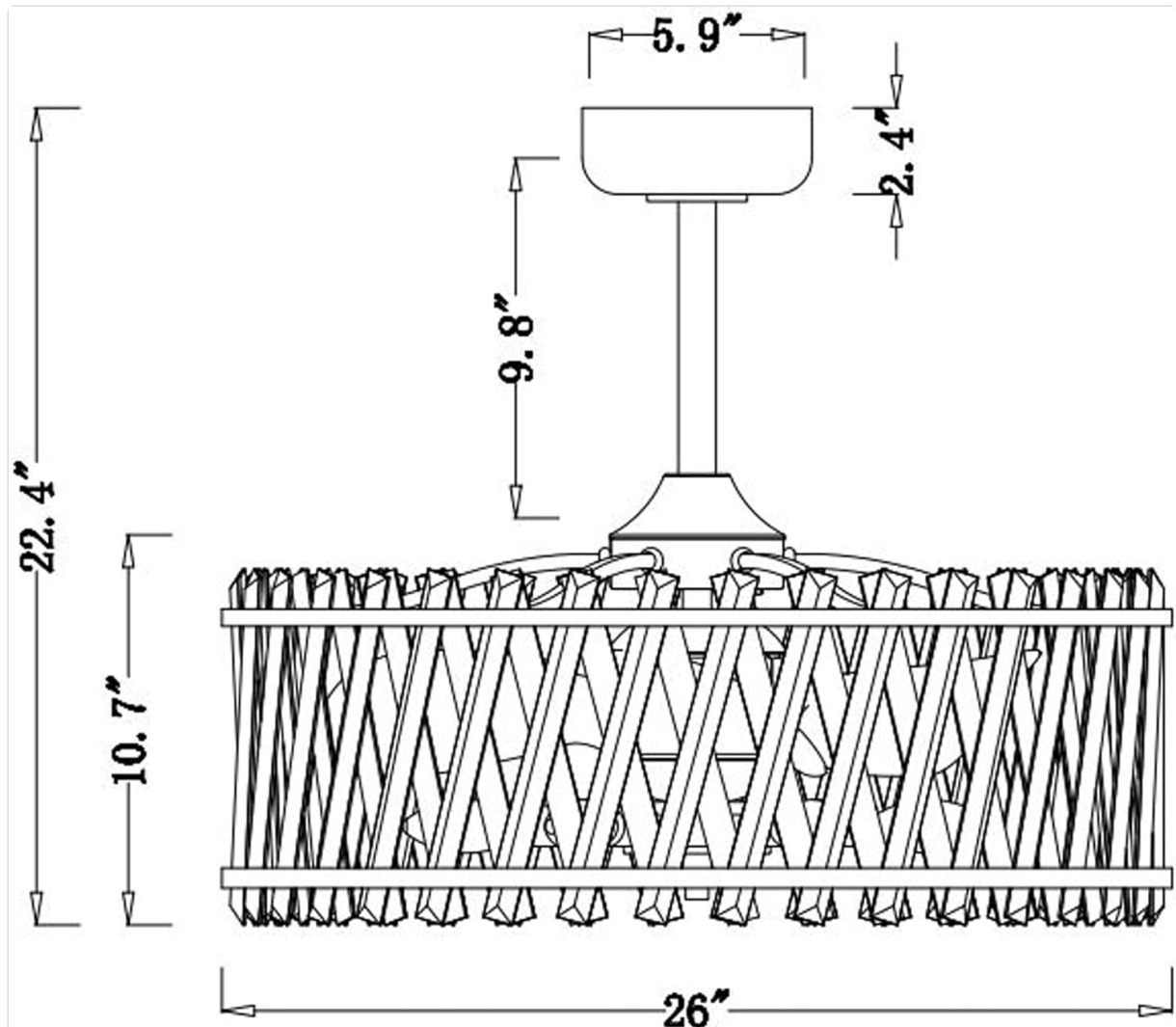


Image: Technical drawing illustrating the key dimensions of the fandelier, including overall height (22.4 inches), body height (10.7 inches), width (26 inches), downrod length (9.8 inches), and canopy dimensions (5.9 x 2.4 inches).

Energy Information:

ENERGY INFORMATION

at High Speed

<p>Airflow</p> <p>2,626</p> <p>Cubic Feet Per Minute</p>	<p>Electricity Use</p> <p>28</p> <p>Watts (excludes lights)</p>	<p>Airflow Efficiency</p> <p>48</p> <p>Cubic Feet Per Minute Per Watt</p>
---	--	--

Compare: 28" ceiling fans have airflow efficiencies.
57.5 cubic feet per minute per watt at high speed

Money-saving Tip: Turn off fan when leaving room.

Image: Energy Information label detailing the fandelier's performance at high speed, including airflow (2,626 Cubic Feet Per Minute), electricity use (28 Watts, excluding lights), and airflow efficiency (48 Cubic Feet Per Minute Per Watt).

ENERGYGUIDE

Estimated

Yearly Energy Cost

\$ 14

\$3

\$34

Cost Range of Similar Models (23" – 47")

- Based on 12 cents per kWh and 6.4 hours use per day
- **Your cost depends on rates and use**
- Energy Use: 28 Watts


Ceiling fan DW01W54CR

Airflow

2626

Cubic Feet Per Minute

- The higher the airflow, the more air the fan will move
- Airflow Efficiency: 48 Cubic Feet Per Minute Per Watt



All estimates based on typical use, excluding lights ftc.gov/energy

Image: Energy Guide label providing an estimated yearly energy cost of \$14, based on 28 watts of energy use. It also shows the airflow of 2626 CFM and airflow efficiency of 48 CFM/Watt.

This product is sold without a manufacturer's warranty. For any questions regarding installation, operation, or troubleshooting that are not covered in this manual, please contact the retailer or manufacturer directly for assistance.