

Manuals+

[Q & A](#) | [Deep Search](#) | [Upload](#)

manuals.plus /

› [ATOTO](#) /

› [ATOTO P807SD-RM Portable Wireless CarPlay Car Stereo User Manual](#)

ATOTO P807SD-RM

ATOTO P8 Portable Wireless CarPlay Car Stereo User Manual

Model: P807SD-RM

1. INTRODUCTION

This manual provides detailed instructions for the installation, operation, and maintenance of your ATOTO P8 Portable Wireless CarPlay Car Stereo. Please read this manual thoroughly before using the device to ensure proper functionality and safety.

2. SETUP

2.1. Package Contents

Before installation, verify that all components are present in the package:

- ATOTO P8 On-Dash Navigator Unit
- Sticking Holder (Suction Cup Mount)
- Power Cable (Cigarette Lighter Adapter with USB ports and AUX Out)
- Sticky Pad (for dashboard mounting)
- Holder Adapter
- AUX Cable
- AC-44F6 Remote Control
- 3.5mm Microphone

5-Minute Installation

With Included Holder



What's in the Package



P8 On-Dash Navigator



Sticking Holder



Power Cable



Sticky Pad



Holder Adapter



AUX Cable



AC-44F6
Remote Control



3.5mm
Microphone

Image: Contents of the ATOTO P8 package, including the main unit, various mounts, cables, and remote control.

2.2. Mounting the Unit

The ATOTO P8 offers flexible mounting options. The primary method involves using the provided sticking holder (suction cup mount) or a sticky pad for dashboard placement.

1. Attach the holder adapter to the back of the P8 unit by sliding it into the designated slot until it clicks securely.
2. Connect the sticking holder to the holder adapter. Ensure the connection is firm.
3. Clean the desired mounting surface on your windshield or dashboard.
4. Press the suction cup firmly against the surface and engage the lever to secure it. If using the sticky pad, adhere it to the dashboard first, then attach the suction cup to the pad.



Image: Diagram illustrating how to attach the mounting bracket to the ATOTO P8 unit.



Image: Close-up of the suction cup mount mechanism, showing how to secure it to a surface.

2.3. Power Connection

Connect the provided power cable to the P8 unit and plug the cigarette lighter adapter into your vehicle's 12V/24V power outlet. The adapter also features USB ports for charging other devices and an AUX output for audio connection.



Image: Diagram showing the connection of the power cable from the P8 unit to the cigarette lighter adapter.

2.4. Audio Output Options

The ATOTO P8 offers multiple ways to output audio to your car's stereo system:

- **Bluetooth Audio Output:** Connect the P8 to your car's Bluetooth system for wireless audio.
- **FM Transmitter:** Tune your car's FM radio to a specific frequency to receive audio from the P8.
- **AUX Audio Output:** Use the provided AUX cable to connect the P8's power adapter (which has an AUX out port) to your car's AUX input.
- **Built-in Speaker:** The P8 has a built-in speaker for basic audio output.

Choose Your Sound, Your Way

as P8 Offers 4 Audio Output Options



Bluetooth Audio Output



FM Transmitter (stereo type)



AUX Audio Output (stereo type)



Built-in Speaker

Get a Clear View Anytime, Anywhere

The Screen won't Glare even in Broad Daylight.



Image: Visual representation of the four audio output options: Bluetooth, FM Transmitter, AUX Audio Output, and Built-in Speaker.

3. OPERATING INSTRUCTIONS

3.1. Wireless CarPlay / Android Auto Connection

The ATOTO P8 supports both Wireless CarPlay and Wireless Android Auto for seamless smartphone integration.

1. Ensure your smartphone's Bluetooth and Wi-Fi are enabled.
2. On the P8 unit, navigate to the CarPlay or Android Auto application.
3. On your smartphone, search for and connect to the P8's Bluetooth signal (e.g., "ATOTO-XXXX").

4. Follow the on-screen prompts on both your phone and the P8 to establish the wireless connection.

Online Navigation Provides Real-Time Traffic Info

plus music/news/audiobooks/podcasts...

Hey, Siri. Go home

Hey, Google. Play some music.

QC 3.0 Phone Quick Charge

Wireless CarPlay

Wireless/Wired Android Auto

Image: The ATOTO P8 display showing both Wireless CarPlay and Wireless Android Auto interfaces, with a smartphone connected to each.

3.2. Using the Remote Control (AC-44F6)

The included AC-44F6 remote control allows for convenient operation of the P8 without taking your hands off the steering wheel. It can be attached to the steering wheel or any accessible location.

- **Voice Assistant:** Press and hold the voice assistant button to activate your phone's voice assistant (Siri or Google Assistant).
- **Mute/Unmute:** Press the mute button to silence or restore audio.
- **Play/Pause:** Control media playback.
- **Skip Forward/Backward:** Navigate through tracks or media files.
- **Volume Up/Down:** Adjust the audio volume.
- **Power On/Off:** Press and hold for 5 seconds to turn the P8 off.



Image: The ATOTO P8 display showing the remote control (AC-44F6) and its various functions for media and call management.

3.3. Screen Mirroring

The P8 supports wireless screen mirroring, allowing you to project your smartphone's display onto the larger P8 screen. Refer to your smartphone's specific instructions for initiating screen mirroring.

Effortless Operation at Your Fingertips

With ATOTO AC-44F6 Wireless Steering Remote Control



Mute



Answer /
Hang Up



Play / Pause



Skip Forward/
Backwards



Voice
Assistant



Front / Rear
View (optional)



Turn P8 Off



Volume Up
/ Down

Wireless Screen Mirroring

Easy to project your smartphone's display onto the P8's large screen.



Image: The ATOTO P8 displaying a mirrored smartphone screen, demonstrating the screen mirroring feature.

4. MAINTENANCE

4.1. General Care

To ensure the longevity and optimal performance of your ATOTO P8, follow these general care guidelines:

- Clean the screen regularly with a soft, lint-free cloth. Avoid abrasive cleaners.
- Keep the unit away from extreme temperatures and direct sunlight for prolonged periods.
- Ensure all cables are securely connected and not pinched.

4.2. Firmware Updates

ATOTO may release firmware updates to improve performance and add new features. Check the official ATOTO website for the latest firmware and instructions on how to update your device.



Image: A visual representation of the firmware update process on the ATOTO P8 screen.

5. TROUBLESHOOTING

If you encounter issues with your ATOTO P8, refer to the following common solutions:

- **No Power:** Ensure the cigarette lighter adapter is fully inserted and your vehicle's 12V/24V outlet is functioning. Check the power cable connection to the P8 unit.
- **No Audio:** Verify the selected audio output mode (Bluetooth, FM, AUX) matches your car's input. Adjust volume levels on both the P8 and your car stereo.
- **CarPlay/Android Auto Not Connecting:** Ensure Bluetooth and Wi-Fi are enabled on your smartphone. Forget the P8 from your phone's Bluetooth settings and re-pair. Restart both the P8 and your smartphone.
- **Unresponsive Touchscreen:** Try restarting the P8 unit. If the issue persists, perform a factory reset (refer to the settings menu).
- **Remote Control Not Working:** Check the battery in the remote control. Ensure it is paired correctly with the P8.

For more complex issues, please visit the official ATOTO support website or contact customer service.

6. SPECIFICATIONS

Feature	Detail
Brand	ATOTO
Model Number	P807SD-RM
Display	7-inch QLED Touchscreen
Connectivity Technology	Bluetooth
Special Features	Wireless CarPlay, Wireless Android Auto, WDR, Auto Dimmer, Remote Control, Touchscreen
Compatible Devices	Smartphone
Audio Output Mode	AUX, FM Transmitter, Bluetooth, Built-in Speaker
Supported Internet Services	Maps, Spotify (via connected smartphone)
Power Supply	12V/24V Cigarette Lighter

Dimension

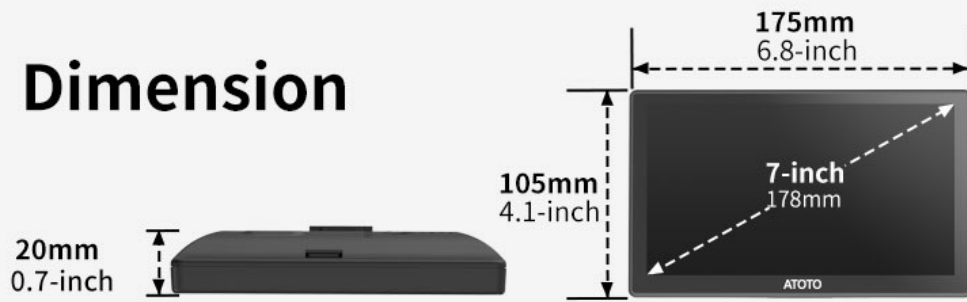


Image: Diagram showing the physical dimensions of the ATOTO P8 unit.



Image: Comparison of the QLED display technology used in the ATOTO P8 with older display types.

7. WARRANTY INFORMATION

Your ATOTO P8 unit is covered by a manufacturer's warranty. Please refer to the warranty card included in your product packaging or visit the official ATOTO website for detailed warranty terms and conditions. Keep your proof of purchase for warranty claims.

8. CUSTOMER SUPPORT

For technical assistance, product inquiries, or support, please contact ATOTO customer service through their official website or the contact information provided in your product documentation. Online resources, FAQs, and updated manuals may also be available on the ATOTO support portal.

