

[Manuals.plus](#) /

› [SEAOURA](#) /

› SEAOURA LED Aquarium Light User Manual

SEAOURA SR-616

SEAOURA LED Aquarium Light User Manual

Model: SR-616

IMPORTANT SAFETY INFORMATION

Please read this manual thoroughly before installation and operation. Keep this manual for future reference.

- Ensure the power supply is disconnected before performing any maintenance or installation.
- This product is designed for indoor use only.
- Do not immerse the light in water. The light is not waterproof.
- Keep the power cable away from high temperatures and sharp objects.
- Do not operate if any part of the light or power supply is damaged.
- Ensure proper ventilation around the light to prevent overheating.

PACKAGE CONTENTS

Verify that all components are present upon unboxing:

- 1 x SEAOURA LED Aquarium Light (Model SR-616)
- 1 x Power Cable
- 1 x Extendable Mount (Brackets)
- 1 x User Manual

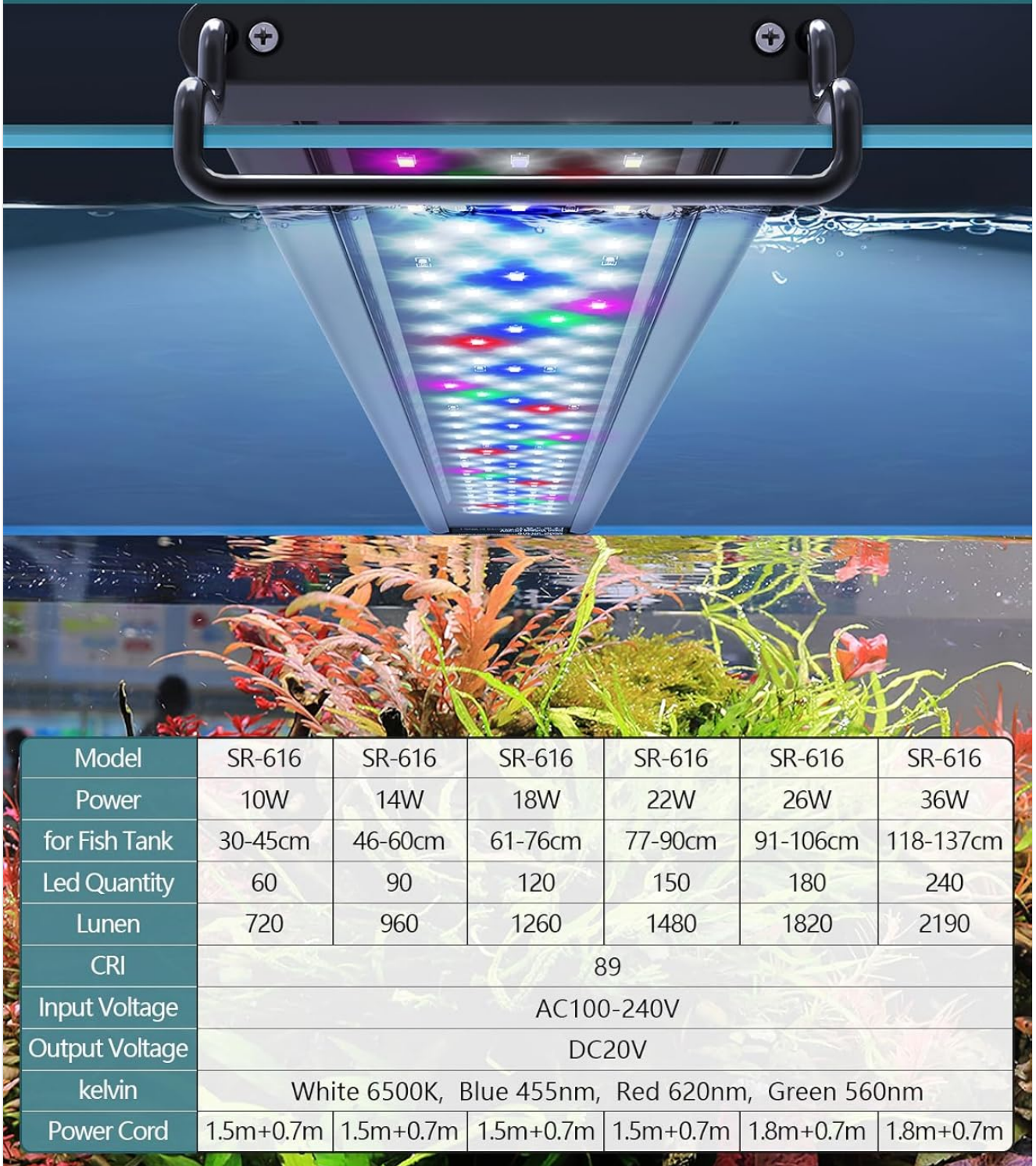


Image: The SEAOURA LED Aquarium Light, showing the main light bar, the inline controller, power adapter, and the extendable mounting brackets. This image illustrates all the components included in the package.

SETUP INSTRUCTIONS

1. **Attach Brackets:** Slide the extendable metal brackets into the slots on both ends of the light fixture. Ensure they are securely fitted.
2. **Position Light:** Place the light fixture on top of your aquarium. Adjust the extendable brackets to fit the width of your tank (suitable for 30-36 inch tanks). Ensure the light is stable and centered over the tank.
3. **Connect Power:** Connect the power cable to the light fixture's input port. Then, plug the power adapter into a suitable electrical outlet.

Seaoura Aquarium Light



Model	SR-616	SR-616	SR-616	SR-616	SR-616	SR-616
Power	10W	14W	18W	22W	26W	36W
for Fish Tank	30-45cm	46-60cm	61-76cm	77-90cm	91-106cm	118-137cm
Led Quantity	60	90	120	150	180	240
Lumen	720	960	1260	1480	1820	2190
CRI	89					
Input Voltage	AC100-240V					
Output Voltage	DC20V					
kelvin	White 6500K, Blue 455nm, Red 620nm, Green 560nm					
Power Cord	1.5m+0.7m	1.5m+0.7m	1.5m+0.7m	1.5m+0.7m	1.8m+0.7m	1.8m+0.7m

Image: Close-up view of the adjustable extendable brackets on the SEAOURA aquarium light. The image highlights the ease of adjusting the light to fit various tank sizes, along with details on the ABS material for heat dissipation and the 12mm height of the brackets.

OPERATING INSTRUCTIONS

The SEAOURA LED Aquarium Light features an inline controller for easy operation. The controller has four main buttons: 'W' (White/Color), On/Off & Brightness, Timer, and 'B' (Blue).

Controller Functions:

1. 'W' Button (White/Color Mode)

Press the 'W' button to cycle through different color modes:

- **Mode 1:** White/Red/Green/Pink LEDs on.
- **Mode 2:** All lights on (White, Red, Green, Pink, Blue).
- **Mode 3:** Only Blue LEDs on.

DIY MODE

(timer+color+brightness can be set)

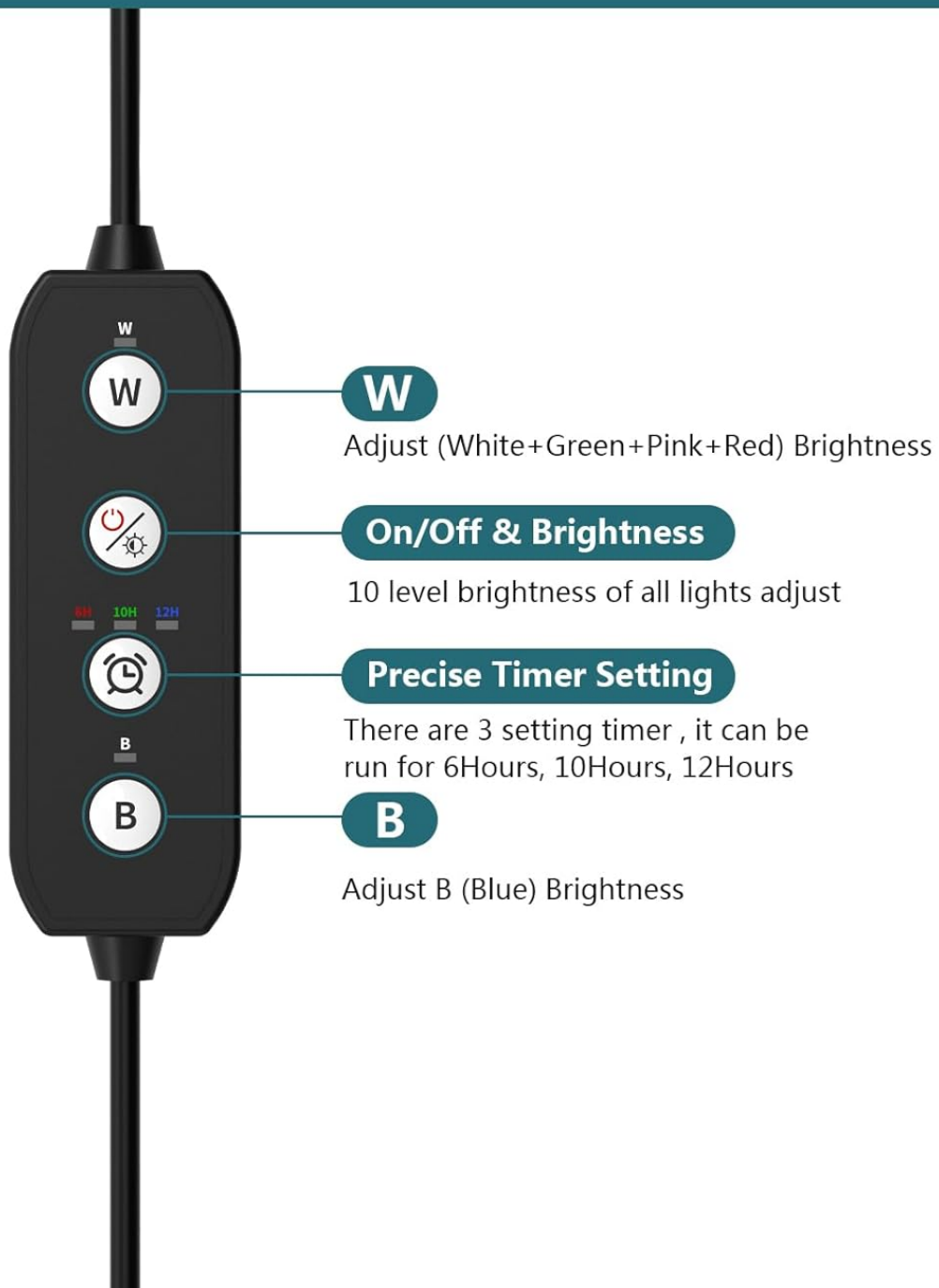


Image: Visual representation of the three color light modes available on the SEAOURA aquarium light, showing the white/red/pink/green mode, all lights on mode, and only blue mode, with corresponding aquarium visuals.

2. On/Off & Brightness Button

This button controls the overall brightness and acts as the On/Off switch.

- **On/Off:** Long press to turn the light on or off.
- **Brightness Adjustment:** Short press to cycle through 10 levels of brightness (10% to 100%). This adjusts the brightness of the currently selected color mode.

Full Spectrum Aquarium Light



Helpful for plants growth and viewing. Flicker-free led, protecting eyes and fish

Image: Detailed view of the inline controller, highlighting the 'On/Off & Brightness' button and its function to adjust brightness levels from 10% to 100%.

3. Timer Control Key

Set the automatic on/off timer for the light:

- Press to select 6 hours, 10 hours, or 12 hours of operation.
- The light will gradually ascend over 15 minutes at the start of the timer and gradually descend during the final 15 minutes before turning off.
- Note: Pressing any other button after setting the timer will cancel the timer function, requiring it to be reset.

Adjustable Extendable Brackets

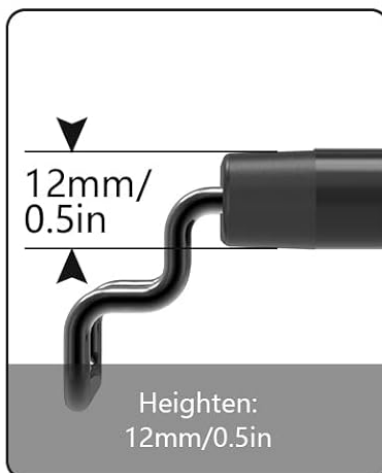
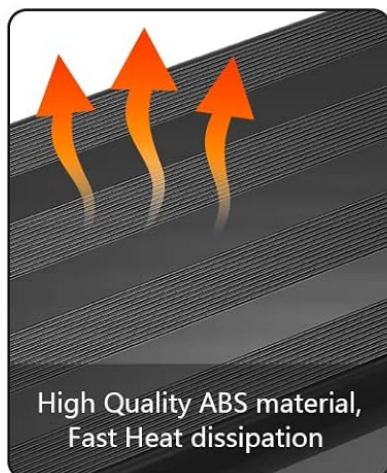
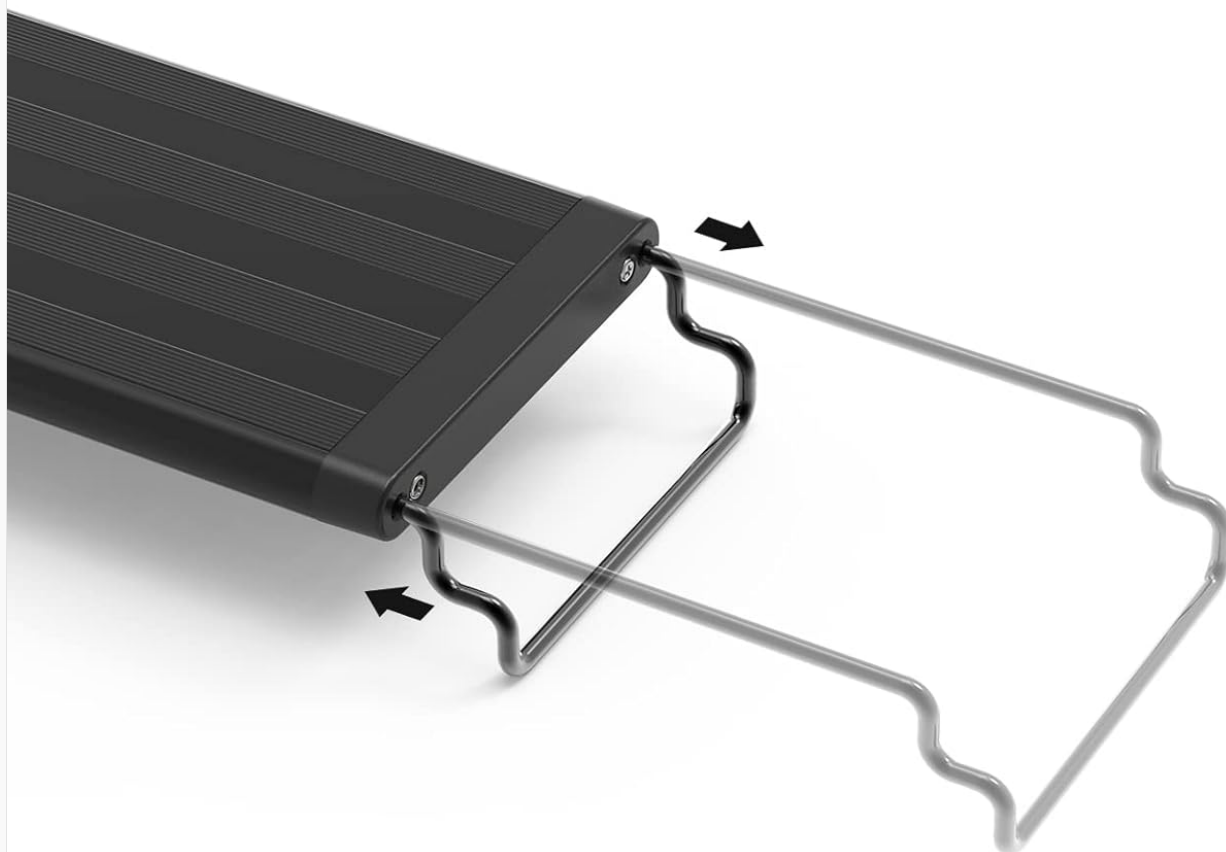


Image: Close-up of the inline controller, specifically showing the timer button and its options for 6, 10, or 12 hours of operation.

4. 'B' Button (Blue Brightness)

Adjusts the brightness of the blue LEDs when in the "Only Blue" mode or when fine-tuning the blue component

in "All lights on" mode.

- Press to adjust blue light intensity.

Full Spectrum Aquarium Light



Helpful for plants growth and viewing. Flicker-free led, protecting eyes and fish

Image: Detailed view of the inline controller, highlighting the 'B' button for blue light adjustment.

Memory Function:

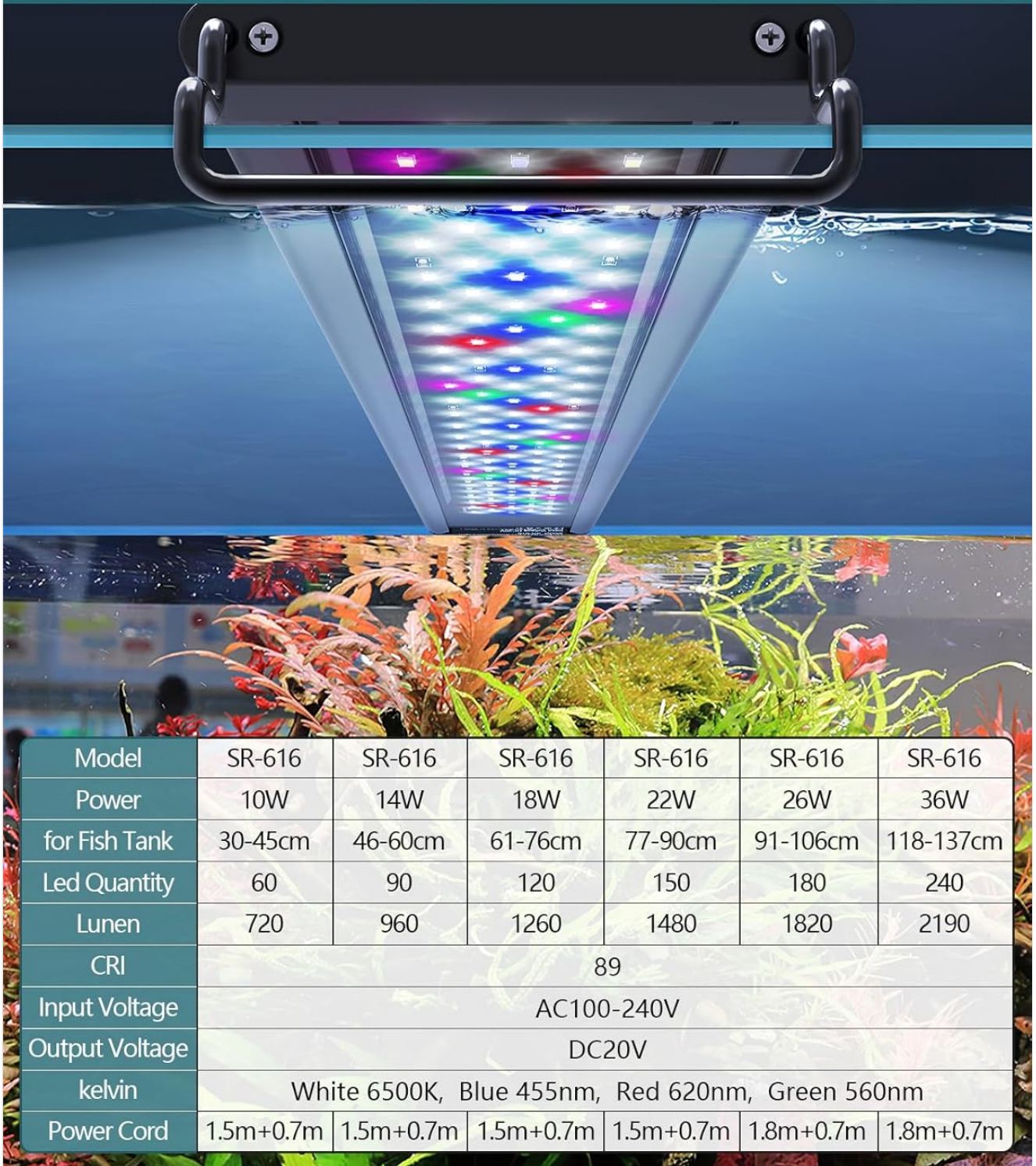
The light features a memory function. In case of a power failure, the previously set lighting and timer settings will be retained and will resume once power is restored. The timer will restart counting from the moment power is turned on.

LIGHT SPECTRUM AND BENEFITS

The SEAOURA LED Aquarium Light provides a full spectrum of light, including 6500K white, red, pink, green, and blue LEDs. This spectrum is beneficial for:

- **Aquatic Plant Growth:** The full spectrum supports healthy photosynthesis and vibrant growth in freshwater aquatic plants.
- **Enhanced Fish Colors:** The varied LED colors enhance the natural coloration of fish, making them appear more vibrant.
- **Natural Viewing:** The high color rendering index (CRI) of up to 89% provides a soft and beautiful light, similar to natural daylight, for optimal viewing of your aquarium.
- **Flicker-Free Illumination:** Designed to be flicker-free, providing comfortable vision and protecting the eyes of both users and fish.

Seaoura Aquarium Light



Model	SR-616	SR-616	SR-616	SR-616	SR-616	SR-616
Power	10W	14W	18W	22W	26W	36W
for Fish Tank	30-45cm	46-60cm	61-76cm	77-90cm	91-106cm	118-137cm
Led Quantity	60	90	120	150	180	240
Lumen	720	960	1260	1480	1820	2190
CRI	89					
Input Voltage	AC100-240V					
Output Voltage	DC20V					
kelvin	White 6500K, Blue 455nm, Red 620nm, Green 560nm					
Power Cord	1.5m+0.7m	1.5m+0.7m	1.5m+0.7m	1.5m+0.7m	1.8m+0.7m	1.8m+0.7m

Image: The SEAOURA LED Aquarium Light illuminating a freshwater tank with vibrant plants and fish, demonstrating the full spectrum lighting beneficial for plant growth and viewing.

EU REPName: Sea&Mew Consulting GmbH
Contact Person: Yuan LiAddress: Mittenhuber Straße 4, 92318 Neumarkt
E-mail: Compliance.EU@outlook.com

Manufacturer: pingxiangshifeidelemaoyiyouxiangongsi

Address: lashizhenluqiancun,dengjiazu103hao,pingxiangshi,xiangdongqu,jiangxi

email: seadera@outlook.com

Product Name: Aquarium light/Aquarium Beleuchtung/éclairage Aquarium/Luce acquario/
Luz del acuario/Akvarielampa/Aquariumverlichting/Oświetlenie akwarium

Batch Number: 20904202-X001YDW3XH

- ⚠ Attention to waterproof, electric shock, etc.
- ⚠ Beachtung der Wasserdichtigkeit, des Schutzes vor elektrischen Schlägen usw.
- ⚠ Attention à l'étanchéité, à la protection contre les chocs électriques, etc.
- ⚠ Attenzione all'impermeabilità, alla protezione contro le scosse elettriche, ecc.
- ⚠ Atención a la estanqueidad, protección contra descargas eléctricas, etc.
- ⚠ Uppmärksamhet på vattentätthet, elektriska stötar etc.
- ⚠ Aandacht voor waterdichtheid, elektrische schokken, enz.
- ⚠ Uwaga na wodoodporność, porażenie prądem itp.

**Made in China**

Image: An aquarium illuminated by the SEAOURA light, showcasing the vibrant colors of the aquatic plants and the overall clarity provided by the full spectrum LEDs.

MAINTENANCE

Regular maintenance ensures optimal performance and longevity of your aquarium light.

- **Cleaning:** Gently wipe the light fixture with a soft, damp cloth to remove dust or water spots. Ensure the light is unplugged before cleaning. Do not use abrasive cleaners or solvents.
- **Inspection:** Periodically inspect the power cable and light fixture for any signs of damage, such as fraying, cracks, or discoloration. If damage is found, discontinue use immediately and contact customer support.
- **Ventilation:** Ensure the ventilation slots on the light fixture are not obstructed to allow for proper heat dissipation.

TROUBLESHOOTING

Problem	Possible Cause	Solution
Light does not turn on.	No power supply; loose connection; damaged cable/adapter.	Check if the power adapter is securely plugged into the outlet and the light. Test the outlet with another device. Inspect the cable for damage.
Timer function not working.	Timer was reset by pressing another button; power interruption.	Re-set the timer according to the operating instructions. The light has a memory function, but the timer cycle restarts after power interruption.
Light is not bright enough.	Brightness level is set too low.	Press the On/Off & Brightness button repeatedly to increase the brightness level.
Specific LED colors are not illuminating.	Incorrect color mode selected.	Press the 'W' button to cycle through the color modes until the desired combination is achieved.

SPECIFICATIONS

Feature	Detail
Model Number	SR-616
Power	22 Watts
Tank Size Compatibility	30-36 inch (76-91 cm)
Light Source Type	LED (SMD2835 chips)
LED Colors	White (6500K), Red, Green, Pink, Blue
Brightness	1480 Lumen
Color Rendering Index (CRI)	89
Input Voltage	AC100-240V
Output Voltage	DC20V
Product Dimensions	28.94"W x 3.4"D x 0.47"H (73.5 cm x 8.6 cm x 1.2 cm)
Item Weight	2.25 pounds (1.02 kg)
Material	ABS, Metal, Plastic
Water Resistance Level	Not Water Resistant (Do not immerse)

Produktdatenblatt			
DELEGIERTE VERORDNUNG (EU) 2015/2015 DER KOMMISSION zur Energieverbrauchskennzeichnung von Lichtquellen			
Name oder Handelsmarke des Lieferanten: seaora			
Anschrift des Lieferanten: CEF PRODUCT SERVICE SF 2 O.D., ul. Długa 83 502, 95-100 Zgierz polen, PL			
Modellkennung: SR616-22W			
Art der Lichtquelle:			
Vorvermonte Beleuchtungstechnologie:	LED	Ungebündelt oder gebündelt:	DIS
Art des Sockels der Lichtquelle (oder andere elektrische Schnittstelle):	/		
Nennspannung/Nichte direkt an die Netzspannung angeschlossen:	MES	Vorvermonte Lichtquelle (VLS):	JA
Färblich abstimmbares Lichtquelle:	JA	HCLB:	-
Lichtquelle mit hoher Leuchtdichte:	Nein		
Blendenschutz:	Nein	Dimmbar:	JA
Produktparameter			
Parameter	Wert	Parameter	Wert
Allgemeine Produktparameter:			
Energieverbrauch im Ein-Zustand (E _{in} /1000 h), auf die nächstliegende ganze Zahl gerundet	22	Energieeffizienzkategorie	E
Netztromstrom (I _{net}) mit Angabe, ob sich der Wert auf den Lichtstrom in einer Kugel (360°), in einem breiten Kugel (120°) oder in einem schmalen Kugel (90°) bezieht	2,200 in breit (120°)	Ähnliche Farbtemperatur, gerundet auf die nächstliegenden 100 K, oder Spanne der einstellbaren ähnlichen Farbttemperaturen, gerundet auf die nächstgelegenen 100 K	6.500
Leistungsaufnahme im Ein-Zustand (P _{in}) in W	22,0	Leistungsaufnahme im Betriebszustand (P _{in}) in W auf die zweite Dezimalstelle gerundet	--
Leistungsaufnahme im normalen Betriebszustand (P _{in})	--	Farbwiedergabewertes, auf die	89
Seite 1/14			
Für CRI in W auf die zweite Dezimalstelle gerundet		nichtfolgende ganze Zahl gerundet, oder Spanne der einstellbaren CRI-Werte	
äußere Abmessungen, ggf. ohne Verpackung	Höhe: 750 Breite: 90 Tiefe: 35	Spektrale Strahlungsverteilung im Bereich 250 nm bis 800 nm bei Vollstark	Siehe Bild auf letzter Seite
Beleuchtungsstärke und Nicht-Beleuchtungsstärke (Mittelwert)			
Angabe zu einer gleichzeitigen Leistungsaufnahme	--	Falls ja, gleichzeitige Leistungsaufnahme (W)	--
		Farbwertanteile (x und y)	0,319 0,318
Parameter für Lichtquellen mit gebündeltem Licht:			
Leuchtdichte (lx)	311	Mittelwertdichte in Grad oder Spanne der einstellbaren Mittelwertdichte	120
Parameter für LED- und OLED-Lichtquellen:			
Wert des R _a Farbwiedergabewertes	8	Lebensdauerfaktor	1,00
Lichtstromerhalt	0,50		
Parameter für LED- und OLED-Netzspannungslichtquellen:			
Vorschaltfaktor (100-Φ)	0,50	Farbwertanteile in MacAdam-Ellipsen	1

Angabe, dass eine Leuchtstofflichtquelle ohne eingebauten Vorwärtswärmer mit einer bestimmten Leistungsaufnahme ersetzt werden kann	ja	Angabe zur ersetzten Leistungsaufnahme (W)	
Flimmer Messgröße (Hz (M))	0,1	Messgröße für Stroboeffekte (StM)	

P_{in} : nicht anzuwenden
 P_{out} : nicht anzuwenden

Spektrum 1,0+9,343lm/w

Model placed on the Union market from 12/01/2024

EPREL registration number: 1803177 <https://eprel.ec.europa.eu/ep/1803177>
 Supplier: CET PRODUCT SERVICE SR Z O.O. (Authorized representative) [Website: https://www.cetproduct.com/bank_ID](https://www.cetproduct.com/bank_ID)
 Customer care service:
 Name: CET PRODUCT SERVICE SR Z O.O. [Email: info@cetproduct.com](mailto:info@cetproduct.com) [Website: https://www.cetproduct.com](https://www.cetproduct.com)
 Address: Uš. Duga 33 952, 10-200 Zgorec povno, Puljen [Phone: +487141643225](tel:+487141643225)

Image: A table detailing various specifications for different models of SEAOURA aquarium lights, including power, tank size compatibility, LED quantity, lumen, CRI, input/output voltage, kelvin, and power cord length.



Image: EU Energy Efficiency Label for SEAOURA SR616-22W, showing an energy class of E and 22 kWh/1000h consumption. For more details, visit the [EPREL database](#).

OFFICIAL PRODUCT VIDEO

Your browser does not support the video tag.

Video: An unboxing and demonstration of the SEAOURA Full Spectrum LED Aquarium Light. This video provides a detailed look at the product components, installation process, and various lighting modes in an actual aquarium setup, highlighting its brightness and spectrum capabilities for both freshwater plants and fish.

WARRANTY AND SUPPORT

For warranty information, technical support, or any inquiries regarding your SEAOURA LED Aquarium Light, please contact the manufacturer directly.

- **Manufacturer:** SEAOURA
- **Email:** seadera@outlook.com
- **User Manual (PDF):** [Download PDF](#)

For additional support, please refer to the official SEAOURA store on Amazon: [Visit SEAOURA Store](#)