

TMEZON DV11

TMEZON DV11 WiFi Peephole Camera with 4.3-inch LCD Monitor User Manual

Model: DV11

1. INTRODUCTION

This manual provides detailed instructions for the installation, setup, and operation of your TMEZON DV11 WiFi Peephole Camera. This device combines a 720P Full HD peephole camera with a 4.3-inch LCD monitor, offering enhanced security and convenience for your home. It features PIR motion detection, real-time alerts, and a long-lasting rechargeable battery.

2. WHAT'S IN THE BOX

- TMEZON DV11 Indoor Monitor (4.3-inch LCD)
- Outdoor Peephole Camera Unit
- Mounting Bracket
- Installation Screws (various lengths)
- USB Charging Cable
- User Manual (this document)



Figure 2.1: Package Contents. This image displays all components included in the TMEZON DV11 box, such as the indoor monitor, outdoor camera, mounting bracket, screws, and charging cable.

3. PRODUCT OVERVIEW

Familiarize yourself with the main components of your TMEZON DV11 Peephole Camera system.

3.1 Outdoor Unit

- **Camera Lens:** Captures video of visitors.
- **PIR Sensor:** Detects motion in front of the door.
- **IR LEDs:** Provides night vision capabilities.
- **Microphone:** Captures audio from visitors.
- **Doorbell Button:** Allows visitors to ring the doorbell.

3.2 Indoor Monitor

- **4.3-inch LCD Screen:** Displays live video feed and recorded events.
- **Home Button:** Activates the screen and navigates menus.
- **Micro SD Card Slot:** For local storage of recordings (supports up to 32GB).
- **USB Charging Port:** For recharging the built-in 5000 mAh battery.
- **Power Switch:** Turns the device On/Off.

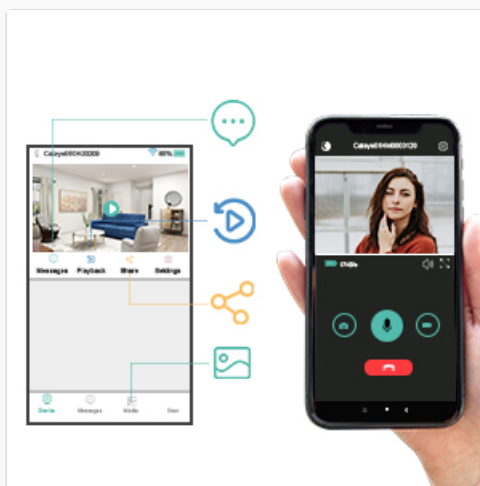


Figure 3.1: Product Details and Dimensions. This image highlights the various parts of both the indoor monitor and the outdoor camera unit, including their approximate measurements.

4. SETUP AND INSTALLATION

Follow these steps to properly install your TMEZON DV11 Peephole Camera.

4.1 Prepare Your Door

1. Ensure your door thickness is between 35mm and 105mm.
2. The compatible peephole diameter is 16mm. If your door does not have a peephole or it's not the correct size, you may need to drill a new one.
3. Choose the correct screws based on your door's thickness. Refer to the screw length guide provided in the package.

4.2 Install the Outdoor Unit

1. Remove any existing peephole viewer from your door.
2. Apply the provided 3M adhesive to the back of the outdoor camera unit.
3. Insert the two screws into the designated holes on the back of the outdoor camera unit.
4. Carefully thread the camera's ribbon cable through the peephole hole in your door.
5. Position the outdoor camera unit on the exterior side of the door, ensuring the cable passes through the hole and the unit is flush against the door.

4.3 Install the Indoor Monitor

1. On the interior side of the door, place the metal mounting bracket over the ribbon cable and align it with the peephole hole.
2. Secure the mounting bracket using the screws that extend from the outdoor unit. Tighten them until the bracket is firm.
3. Connect the ribbon cable from the outdoor unit into the corresponding port on the back of the indoor monitor.
4. Carefully slide the indoor monitor onto the mounting bracket, ensuring it clicks securely into place.

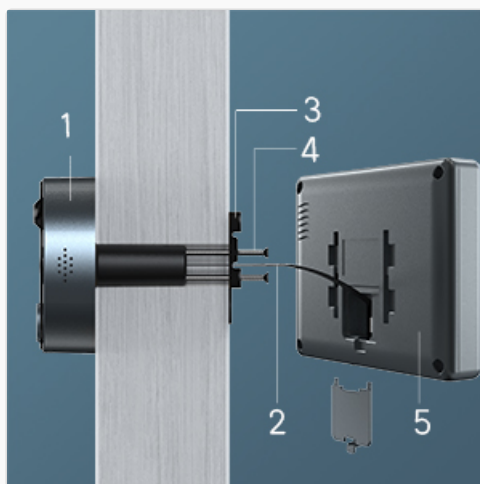


Figure 4.1: Installation Diagram. This image illustrates the step-by-step process of mounting both the outdoor camera and the indoor monitor onto a door.

Your browser does not support the video tag.

Video 4.1: How to install the Peephole Camera. This video demonstrates the physical installation process of the TMEZON DV11 peephole camera, from preparing the door to securing the units.

5. APP SETUP AND CONNECTIVITY

To unlock the full potential of your TMEZON DV11, connect it to the mobile app.

5.1 Download the App

Download the "Tuya Smart" or "Smart Life" app from your smartphone's app store (iOS or Android).

5.2 Connect to Wi-Fi

1. Ensure your device is powered on and in configuration mode (blue light blinking per 1s, with a voice notification "Please use the APP to set up the network"). If not, reset the device by pressing the home button for 5 seconds until the LED indicator turns off and the device restarts to default settings.
2. Open the Tuya Smart/Smart Life app and log in or register.
3. Tap "Add Device" or the "+" icon.
4. Select "Camera & Lock" category, then choose "Smart Doorbell" or "Peephole Camera (Wi-Fi)".
5. Confirm the device is in configuration mode.
6. Select your **2.4GHz Wi-Fi network** and enter the password. **Note: The device does not support 5GHz Wi-Fi networks.**
7. The app will generate a QR code. Hold your phone with the QR code approximately 15-20 cm (6-8 inches) in front of the outdoor camera lens.
8. Once you hear a prompt tone from the device, tap "I Heard a Prompt" in the app.
9. The device will begin connecting. Once "Network setup successful" is heard, the device is added.

Your browser does not support the video tag.

Video 5.1: How to use the APP to set up the network for the door viewer. This video guides users through the process of connecting the TMEZON DV11 to the mobile application and configuring its network settings.

Your browser does not support the video tag.

Video 5.2: How to add the device to mobile phone. This video provides a step-by-step tutorial on pairing the TMEZON DV11 peephole camera with a smartphone using the dedicated mobile application.

6. OPERATING INSTRUCTIONS

Once installed and connected, your TMEZON DV11 offers several key functionalities.

6.1 Live View

- **From Indoor Monitor:** Press the Home button on the indoor monitor to view the live feed from the outdoor camera.
- **From Mobile App:** Open the Tuya Smart/Smart Life app and select your device to access the live view.

6.2 Doorbell Function

- When a visitor presses the doorbell button on the outdoor unit, the indoor monitor will ring and display the live feed.
- Simultaneously, you will receive a real-time notification on your mobile phone via the app.
- From the app, you can answer the call, see and talk to the visitor remotely.



Figure 6.1: Delivery Interaction. This image shows a person receiving a package, with the TMEZON app displaying the live feed of the visitor, enabling communication.

6.3 Motion Detection

- The built-in PIR motion sensor detects movement in front of your door.
- Upon detection, the device will automatically record a short video or capture images and send a real-time alert to your mobile app.
- You can adjust motion detection sensitivity and recording settings within the app.

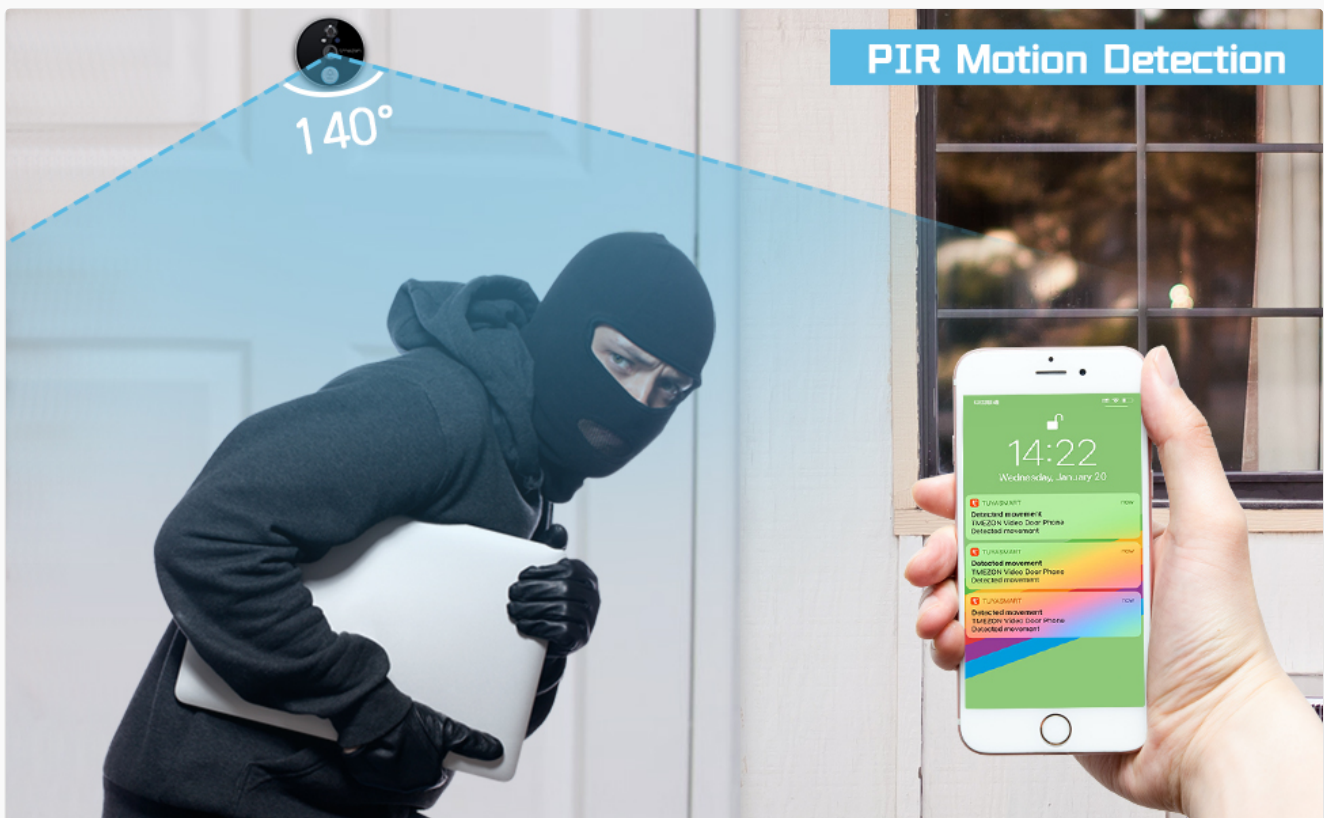


Figure 6.2: PIR Motion Detection. This image visually represents the 140-degree wide-angle PIR motion detection capability of the

outdoor camera, showing how it covers a broad area in front of the door.

6.4 Recording and Playback

- The device supports local storage via a Micro SD card (up to 32GB, not included).
- Motion-triggered events and manual recordings are saved to the SD card.
- You can review recorded videos and images directly from the indoor monitor or through the mobile app.



Figure 6.3: Micro SD Card Slot. This image clearly shows the location of the Micro SD card slot on the side of the indoor monitor, indicating support for up to 32GB storage.

6.5 Sharing Access

You can share access to your device with family members through the mobile app, allowing multiple users to receive alerts and view the live feed.



Figure 6.4: Family Sharing. This image depicts multiple individuals using their smartphones to interact with the TMEZON DV11, symbolizing the device's sharing capabilities.

7. MAINTENANCE

7.1 Battery Charging

The indoor monitor has a built-in 5000 mAh rechargeable lithium battery. When the battery is low, the device will provide a low battery reminder. Connect the USB charging cable to the monitor's USB port and a standard USB power adapter (not included) to charge. A full charge typically provides 30 days of standby time (based on 3-5 calls per day).



Figure 7.1: Battery Capacity. This image highlights the 5000 mAh battery capacity of the indoor monitor, indicating its long-lasting power.

7.2 Cleaning

Wipe the camera lens and screen with a soft, dry cloth to remove dust and smudges. Avoid using harsh chemicals or abrasive cleaners.

8. TROUBLESHOOTING

- **Device not powering on:** Ensure the battery is charged. Connect the USB cable and try again. Check the power switch is in the 'ON' position.
- **Cannot connect to Wi-Fi:** Ensure you are connecting to a 2.4GHz Wi-Fi network. 5GHz networks are not supported. Make sure your Wi-Fi password is correct. Try resetting the device and re-attempting the connection process.
- **No image on screen:** Check if the ribbon cable connecting the outdoor unit to the indoor monitor is securely plugged in. Ensure the outdoor camera lens is not obstructed.
- **Motion detection not working:** Adjust the sensitivity settings in the mobile app. Ensure there are no obstructions blocking the PIR sensor.
- **Poor image quality:** Clean the camera lens. Ensure there is adequate lighting.

9. SPECIFICATIONS

Feature	Specification
Brand	TMEZON
Model Number	DV11 (B0B4DLCFZW)
Resolution	720P FHD (Video Capture Resolution: 1080p, 720p)
Screen Size	4.3-inch LCD
Connectivity Technology	Wired (camera to monitor), Wi-Fi (monitor to app)
Wi-Fi Frequency	2.4GHz (not compatible with 5GHz)
Special Feature	PIR Motion Sensor
Power Source	Battery Powered (5000 mAh rechargeable)

Feature	Specification
Storage	Micro SD Card (up to 32GB)
Compatible Devices	Smartphone (via Tuya Smart/Smart Life App)
Door Thickness Compatibility	35mm-105mm
Peephole Diameter Compatibility	16mm
Waterproof Rating	IP54
Night Vision	Night Color

10. WARRANTY AND SUPPORT

For warranty information and technical support, please refer to the contact details provided on the TMEZON official website or contact your retailer. Keep your purchase receipt as proof of purchase.

