

Monarch Specialties I 7346

Monarch Specialties I 7346 Computer Desk Instruction Manual

Model: I 7346

PRODUCT OVERVIEW

The Monarch Specialties I 7346 Computer Desk is an L-shaped desk designed for home office environments, particularly suitable for corners or smaller spaces. It features a durable industrial grey wood-look laminate finish and offers integrated storage solutions.

The main worksurface measures 46 inches L x 21.5 inches W, providing ample space for a laptop or a monitor and keyboard. An additional, slightly lower worksurface is created by the desktop panel overlapping the storage unit. The storage unit includes 2 open cubbies with a fixed shelf, 1 storage drawer, and 1 cabinet, all with finished interiors and silver handles. The desk is finished on all sides, allowing for flexible placement within a room.



Image: The Monarch Specialties I 7346 L-shaped computer desk, showcasing its design and storage features in a home office setting.

SETUP AND ASSEMBLY

Assembly of the Monarch Specialties I 7346 Computer Desk is required. Illustrated instructions and all necessary hardware are provided in the package. Additional tools, such as a screwdriver, may be needed for complete assembly. It is recommended that one person performs the assembly.

- **Unpack Components:** Carefully remove all parts from the packaging and verify against the parts list in the included instructions.
- **Prepare Workspace:** Ensure you have a clear, flat, and clean area for assembly to prevent damage to the desk components.
- **Follow Instructions:** Adhere strictly to the step-by-step illustrated instructions provided with the desk.
- **Secure Fasteners:** Ensure all screws and fasteners are tightened securely, but do not overtighten to avoid damaging the material.

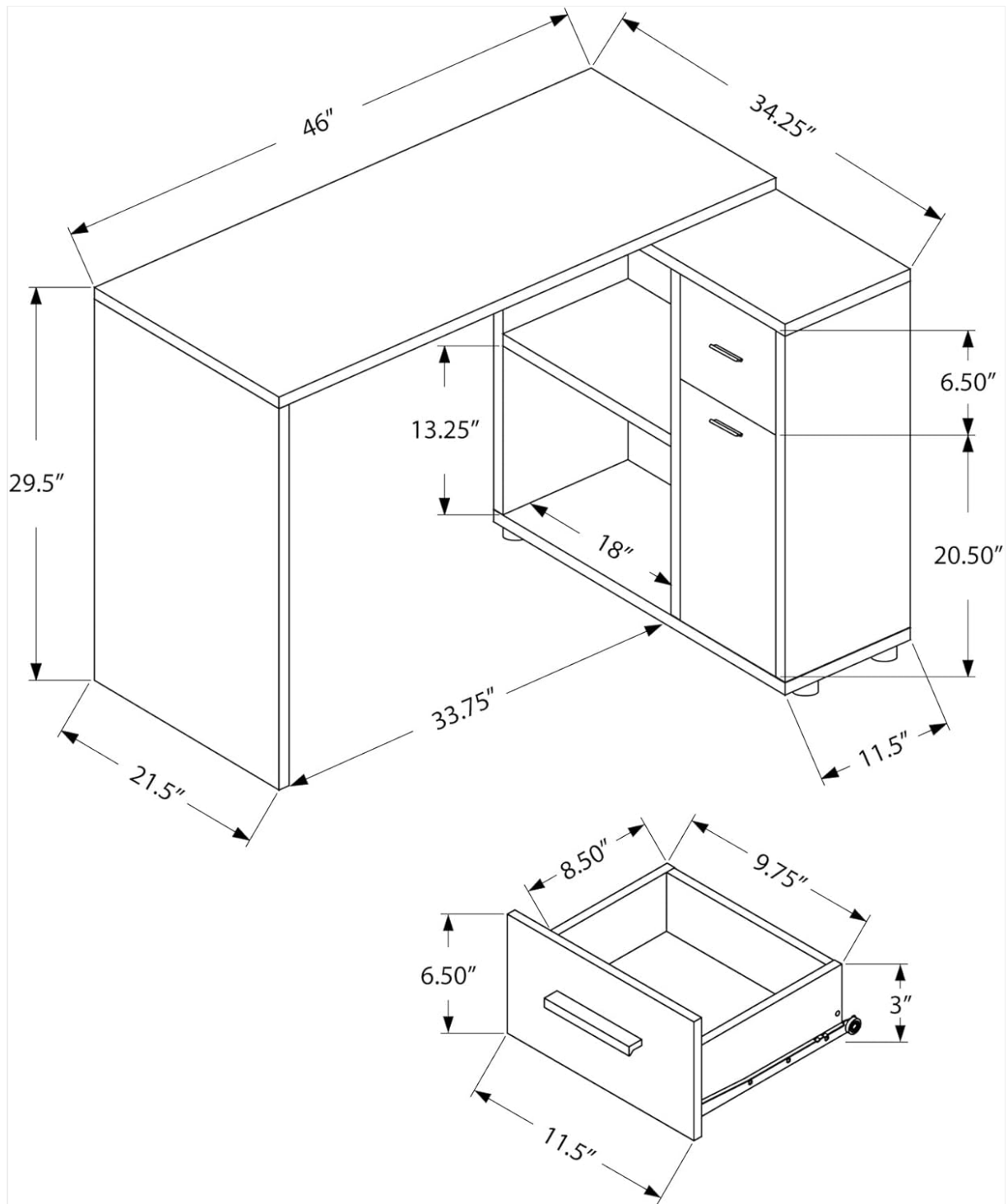


Image: Detailed dimensional drawing of the desk, indicating measurements for the main worksurface, storage cubbies, drawer, and cabinet.

OPERATING INSTRUCTIONS

The Monarch Specialties I 7346 Computer Desk is designed for versatile use in various settings, including bedrooms, dorm rooms, and home offices. Its L-shape is ideal for corner placement, maximizing space efficiency. The desk offers multiple storage options to keep your workspace organized.

- **Main Worksurface:** Use the primary 46-inch L x 21.5-inch W desktop for your computer, writing, or other tasks.
- **Secondary Worksurface:** The smaller, slightly lower surface on top of the storage unit can be used for additional items or as an extended workspace.
- **Open Cubbies:** Two open cubbies (18 inches L x 11.5 inches W x 13.25 inches H each) provide easy access storage for books, binders, or decorative items.

- **Storage Drawer:** A single storage drawer (interior: 9.75 inches L x 8.5 inches W x 3 inches H) with metal glides is suitable for smaller office supplies.
- **Cabinet:** The cabinet (interior: 11.5 inches L x 11.5 inches W x 20.5 inches H) offers concealed storage for larger items.



Image: A close-up of the desk's storage section, highlighting the drawer and cabinet with their silver handles and the grey wood-look finish.

MAINTENANCE AND CARE

To maintain the appearance and longevity of your Monarch Specialties I 7346 Computer Desk, follow these care instructions:

- **Cleaning:** Wipe the surfaces with a damp cloth. Avoid using harsh chemicals or abrasive cleaners, which can damage the laminate finish.
- **Spills:** Clean up spills immediately to prevent staining or damage to the wood-look laminate.
- **Heat and Moisture:** Protect the desk from direct heat sources and excessive moisture. Use coasters for drinks and heat pads for hot items.
- **Sunlight:** Avoid prolonged exposure to direct sunlight to prevent fading or discoloration of the finish.
- **Weight Capacity:** Do not exceed the maximum weight recommendation of 100 pounds on the desktop to ensure stability and prevent damage.



Image: A detailed view of the desk's industrial grey wood-look laminate finish, illustrating its texture and pattern.

TROUBLESHOOTING

If you encounter any issues with your Monarch Specialties I 7346 Computer Desk, consider the following general troubleshooting steps:

- **Stability Issues:** Ensure all assembly hardware is properly tightened. Check that the desk is placed on a level surface.
- **Drawer Operation:** If a drawer is sticking or not closing smoothly, check the metal drawer glides for any obstructions or misalignment. Ensure the drawer is correctly installed.
- **Missing Parts:** If any parts were missing upon delivery, refer to the customer support section for assistance.

PRODUCT SPECIFICATIONS

Model Number	I 7346
Brand	Monarch Specialties
Shape	L-Shape
Desk Design	Computer Desk
Color	Grey
Style	Contemporary
Material	Particle Board, Laminate

Top Material Type	Engineered Wood
Finish Type	Laminated
Product Dimensions (L x W x H)	46" L x 34.25" W x 29.5" H (116.8W x 87D x 74.9H Centimetres)
Item Weight	61 Pounds (27.67 kg)
Maximum Weight Recommendation	100 Pounds
Number of Drawers	1
Number of Shelves	2 (open cubbies)
Number of Cabinets	1
Assembly Required	Yes
Recommended People for Assembly	1
Tools Recommended for Assembly	Screwdriver
Includes All Assembly Tools	Yes

WARRANTY INFORMATION

The Monarch Specialties I 7346 Computer Desk comes with a limited warranty. Specifically, there is a **5 Year Limited Warranty on Manufacturer's Defects Only**. Additionally, a **1 Year Limited Warranty on Parts Only** is provided. Please retain your proof of purchase for any warranty claims.

CUSTOMER SUPPORT

For further assistance, missing parts, or warranty inquiries, please contact Monarch Specialties customer service. Refer to the contact information provided in your product packaging or visit the official Monarch Specialties website for support details.