

[Manuals.plus](#) /

> [MBG Line](#) /

> MBG Line DD2 Video Door Viewer with 2.8" LCD Display User Manual

MBG Line DD2

MBG Line DD2 Video Door Viewer User Manual

Model: DD2 | Brand: MBG Line

INTRODUCTION

Thank you for choosing the MBG Line DD2 Video Door Viewer. This electronic peephole provides a convenient and secure way to see who is at your door without opening it. Featuring a 2.8-inch LCD display, a 90-degree wide-angle camera, and a built-in doorbell function, this device enhances your home or office security. This manual will guide you through the installation, operation, and maintenance of your new video door viewer.

PRODUCT OVERVIEW

Key Features

- **2.8-inch LCD Display:** Provides a clear, color image of visitors.
- **90-Degree Wide-Angle Camera:** Offers a broad view of the area outside your door.
- **Built-in Doorbell Function:** Integrates a doorbell button with the viewer.
- **Infrared Night Vision:** Ensures visibility even in low-light conditions.
- **Built-in Memory:** Stores up to 40 photos, with overwrite capability.
- **Automatic Photo Capture:** Takes a photo when the doorbell is pressed or manually during live view.
- **Rechargeable Battery:** 1000mAh built-in battery provides up to 120 days of operation.
- **Easy Installation:** Designed for quick setup, fitting most standard door peephole openings.

Package Contents

- Indoor Unit (2.8-inch LCD display)
- Outdoor Unit (Camera with doorbell button)
- Mounting Bracket
- Mounting Screws (3 lengths)
- User Manual



Image: Contents of the MBG Line DD2 Video Door Viewer package.

Component Identification

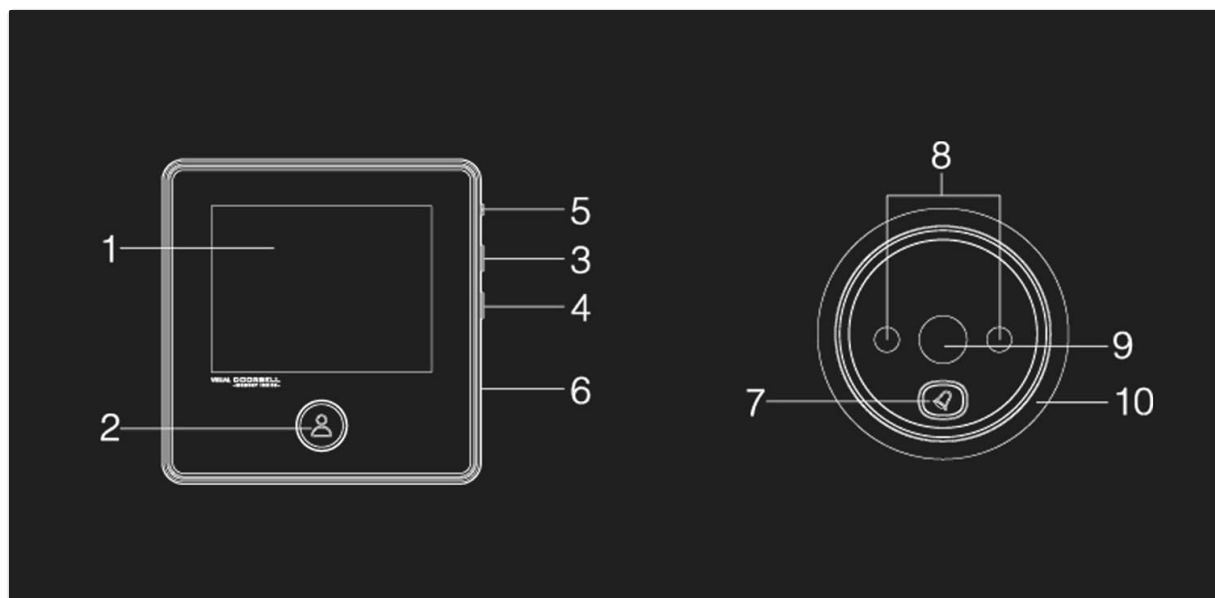


Image: Diagram of the indoor and outdoor units with numbered components.

Indoor Unit:

- **1. LCD Screen:** Displays the live view from the outdoor camera.
- **2. Doorbell Button:** Activates the outdoor doorbell and live view.
- **3. Power Button:** Turns the device on/off.
- **4. Up/Down Buttons:** For menu navigation (if applicable).
- **5. Menu/Confirm Button:** Accesses settings and confirms selections.
- **6. Charging Port:** For connecting the charging cable.

Outdoor Unit:

- **7. Doorbell Button:** Rings the indoor unit and activates the camera.
- **8. Infrared LEDs:** Provide illumination for night vision.
- **9. Camera Lens:** Captures the video feed.
- **10. Microphone:** Captures audio (if supported).

SETUP AND INSTALLATION

Before You Begin

- Ensure your door thickness is between 32mm and 120mm.
- The existing peephole diameter should be between 14mm and 22mm.
- Charge the indoor unit's battery fully before installation.

Installation Steps

1. **Remove Existing Peephole:** Unscrew and remove your current door peephole.
2. **Insert Outdoor Unit:** Insert the outdoor camera unit through the peephole hole from the outside of the door. Ensure the FPC cable is threaded through the hole to the inside.
3. **Attach Mounting Bracket:** From the inside of the door, place the mounting bracket over the FPC cable and align it with the outdoor unit. Secure the bracket using one of the provided screws, choosing the appropriate length for your door thickness. Tighten the screw to hold the outdoor unit firmly in place.
4. **Connect Indoor Unit:** Connect the FPC cable from the outdoor unit to the corresponding port on the back of the indoor display unit. Carefully slide the indoor unit onto the mounting bracket, ensuring it clicks into place securely.

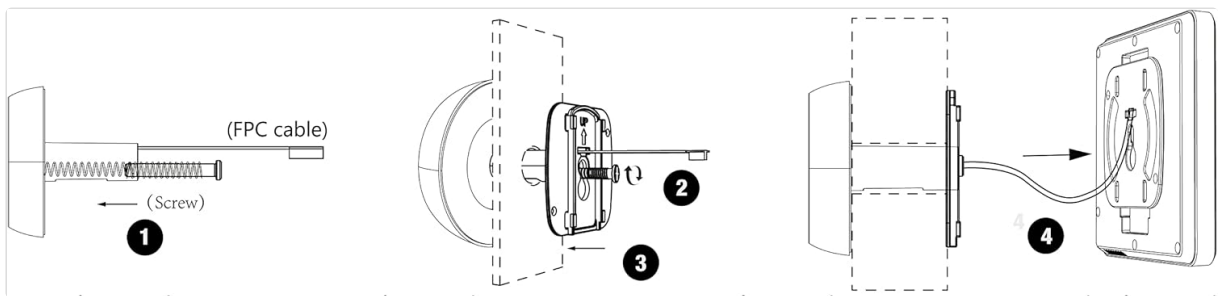


Image: Step-by-step installation guide for the video door viewer.

OPERATING INSTRUCTIONS

Powering On/Off

- **To Power On:** Press and hold the Power Button (3) on the side of the indoor unit until the screen illuminates.
- **To Power Off:** Press and hold the Power Button (3) until the screen turns off.
- The device will automatically turn on when the outdoor doorbell is pressed.
- The device will automatically turn off after approximately 15-25 seconds of inactivity.

Viewing the Display

- When the outdoor doorbell button (7) is pressed, the indoor unit's screen (1) will automatically display the live video feed from the camera.
- You can also manually activate the live view by pressing the Doorbell Button (2) on the indoor unit.

Doorbell Function

- When a visitor presses the doorbell button (7) on the outdoor unit, the indoor unit will ring and display

the live video feed.

Taking Photos

- **Automatic Capture:** A photo will be automatically taken and saved to the internal memory when the outdoor doorbell button (7) is pressed.
- **Manual Capture:** While viewing the live feed, press the Menu/Confirm Button (5) to manually take a photo.

Memory Management

- The device has built-in memory for approximately 40 photos.
- When the memory is full, new photos will overwrite the oldest ones.
- To format the memory (delete all photos), navigate to the settings menu using the Up/Down (4) and Menu/Confirm (5) buttons and select the 'Format Memory' option.

MAINTENANCE

- **Cleaning:** Use a soft, dry cloth to clean the display and camera lens. Avoid abrasive cleaners or solvents.
- **Battery Charging:** When the battery indicator is low, connect the indoor unit to a power source using a standard USB charger (not included) and the provided charging cable.
- **Environmental Conditions:** Avoid exposing the device to extreme temperatures, direct sunlight for prolonged periods, or excessive moisture.

TROUBLESHOOTING

Issue	Possible Cause	Solution
Device does not turn on.	Low battery.	Charge the indoor unit's battery.
No image on display.	FPC cable not connected properly.	Check the connection of the FPC cable between the indoor and outdoor units.
Image is blurry or unclear.	Camera lens is dirty.	Clean the camera lens with a soft, dry cloth.
Doorbell does not ring.	Outdoor unit button malfunction or cable issue.	Ensure the outdoor unit's doorbell button is not stuck. Check FPC cable connection.
Photos are not saving.	Memory is full.	Format the device's memory to clear old photos.

TECHNICAL SPECIFICATIONS

Feature	Specification
Model Name	DD2
Display Size	2.8 inches LCD

Feature	Specification
Video Recording Resolution	720p (if applicable, primary function is live view/photo)
Viewing Angle	90 degrees
Compatible Door Thickness	32-120 mm
Compatible Peephole Diameter	14-22 mm
Power Source	Built-in 1000mAh Lithium-ion Battery
Battery Life	Up to 120 days (standby)
Internal Memory	Stores approximately 40 photos
Special Features	Image Sensor, Night Vision (Infrared LEDs)
Connectivity Technology	Wired (FPC cable between units)
Item Dimensions (L x W x H)	60 x 60 x 85 cm (Note: This seems to be package dimensions, actual product is smaller)
Product Weight	226 Grams
Material	Metal
Waterproof Level	Waterproof (for outdoor unit)



Image: Dimensions of the MBG Line DD2 Video Door Viewer.

WARRANTY AND SUPPORT

For warranty information, please refer to the documentation included with your product packaging or contact your retailer. If you encounter any issues or require technical assistance, please contact MBG Line

customer support through their official website or the retailer where you purchased the product.

Manufacturer: MBG Line

ASIN: B0B4BDCC92

© 2023 MBG Line. All rights reserved.