

Manuals+

[Q & A](#) | [Deep Search](#) | [Upload](#)

manuals.plus /

> [BOJACK](#) /

> [BOJACK Bathroom Vent Fan Motor Instruction Manual for Models Compatible with Nutone Broan 663, 668, 662, 688, 659](#)

BOJACK BJ-YJF-6112-1

BOJACK Bathroom Vent Fan Motor Instruction Manual

Model: BJ-YJF-6112-1

1. INTRODUCTION

This manual provides detailed instructions for the installation, operation, and maintenance of your BOJACK Bathroom Vent Fan Motor. This motor is designed as a replacement for various bathroom exhaust fan units, offering efficient ventilation and improved air quality.

Please read this manual thoroughly before installation and use to ensure proper function and safety.

2. IMPORTANT SAFETY INSTRUCTIONS

WARNING: To reduce the risk of fire, electric shock, or injury to persons, observe the following:

- Always disconnect power at the service panel before servicing or cleaning the unit. Lock out the service panel to prevent power from being switched on accidentally.
- All electrical wiring must be performed by a qualified electrician in accordance with all applicable codes and standards, including fire-rated construction.
- Do not use this motor with any solid-state speed control device.
- This motor is intended for general ventilating use only. Do not use to exhaust hazardous or explosive materials and vapors.
- Ensure the fan housing is securely mounted and properly grounded.
- Keep fingers and foreign objects away from the fan blade during operation.

3. PACKAGE CONTENTS

Verify that all items are present and undamaged:

- 1 x BOJACK Bathroom Vent Fan Motor
- 1 x Blower Wheel Fan Blade



Image 1: Contents of the BOJACK Bathroom Vent Fan Motor package, showing the motor and separate blower wheel.

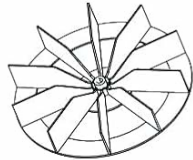
4. PRODUCT SPECIFICATIONS

Model Number	BJ-YJF-6112-1
Working Voltage	120 Volts
Frequency	60 Hz
Current	1 Amp
Speed	3000 RPM
Rotation	CCW (Counter-Clockwise)
Shaft Dimensions	3/16 inch x 1.5 inch with splines

Fan Blade Dimensions	4 5/8 inch (diameter) x 1 1/8 inch (height)
Wire Length	6 1/2 inch with 2-prong plug
Certification	UL Certified

SPECIFICATION

Accessories

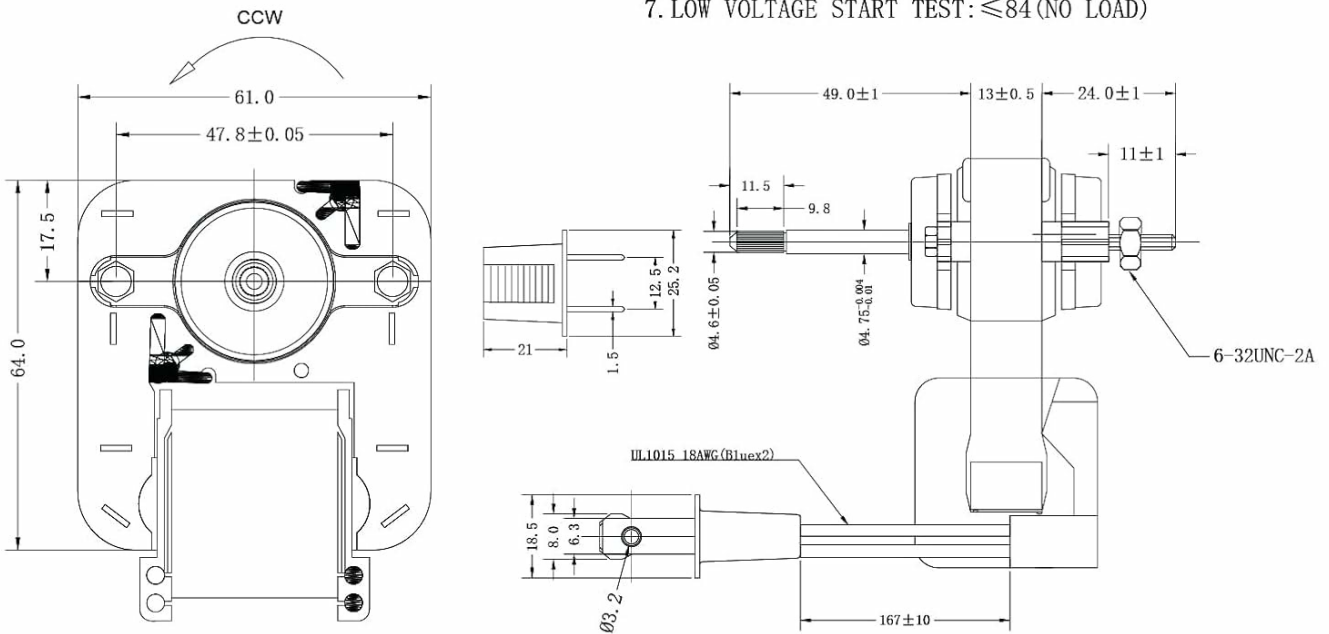


GENERAL SPECIFICATIONS:

1. MOTOR RATING: 120V/60Hz;
- 2.

LOAD	CURRENT (A)	POWER (W)	SPEED (RPM)
	0.95 ± 5%	45.0 ± 5%	2400 ± 10%

3. ROTATION: CCW VIEWED FROM BOLADE SIDE;
4. END PLAY: 0.5-1.0mm;
5. CL. B;
6. DIELECTRIC BREAKDOWN TEST: 1800V/1mA/1S;
7. LOW VOLTAGE START TEST: ≤84 (NO LOAD)



Label:

120V 60Hz 1.0A
3000RPM CCW CL.B

Image 2: Detailed technical specifications and dimensions of the motor and fan blade.

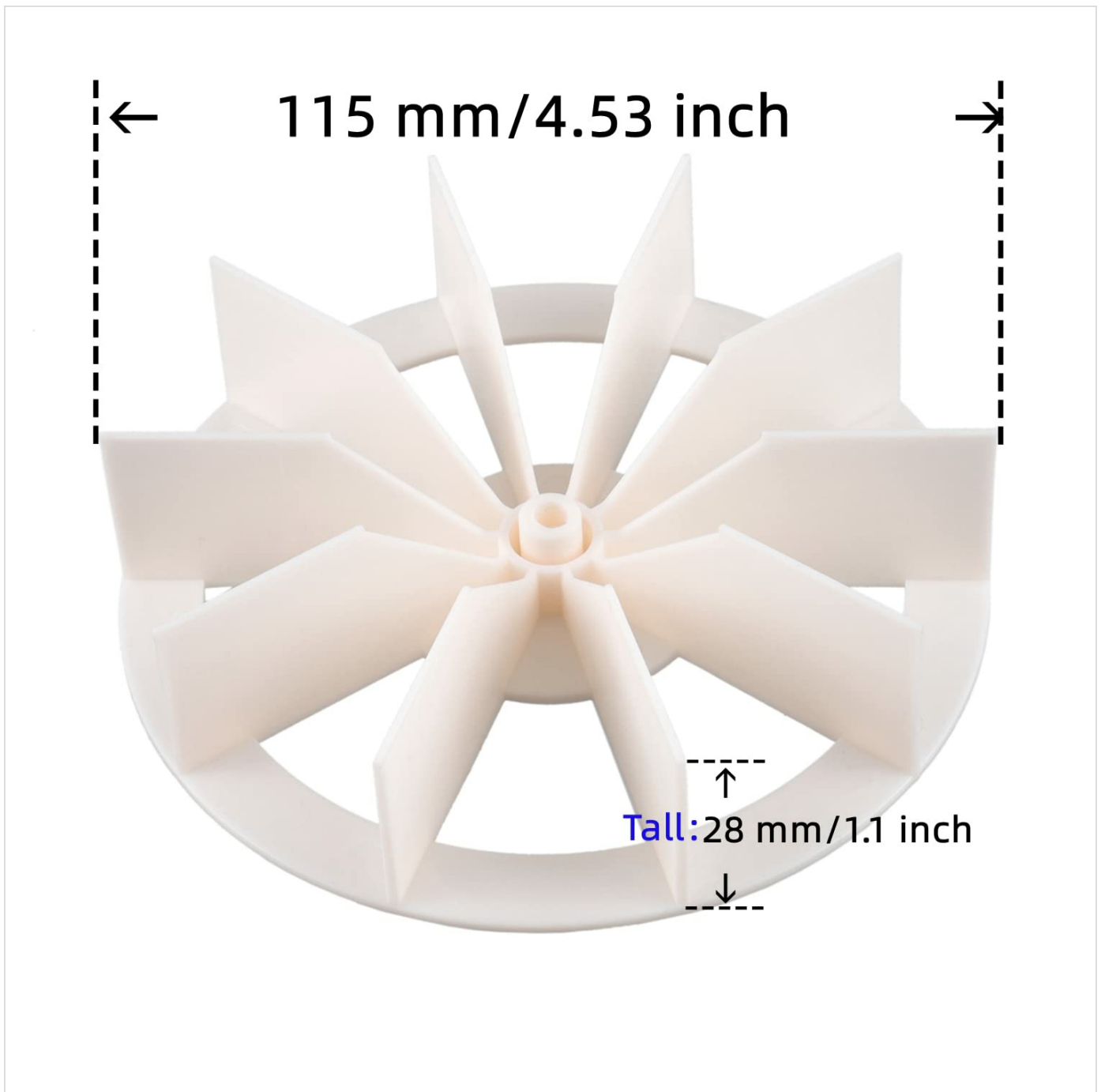


Image 3: Dimensions of the blower wheel, showing 115 mm (4.53 inch) diameter and 28 mm (1.1 inch) height.

5. COMPATIBILITY

This BOJACK motor is designed as a replacement for various bathroom exhaust fan models. It is compatible with, but not limited to, the following Nutone and Broan models and part numbers:

- Nutone Broan: 688, 659, 662, 663, 668, 678
- Part Numbers: 162502, 02S0055, 15617, 0340775B, 101-1770, 14266A, 15194A, 301-3001, C202A, CC0053, CC0154, P-608-31-1, P-10294, P-14266A, P-15194, P-15617, P-9983, S10625236, S10625002, S10625237, 5KSB33BG1858

Note: Always compare the specifications and physical dimensions of your existing motor with those provided in this manual to ensure proper fit and function.

6. INSTALLATION INSTRUCTIONS

This section outlines the general steps for replacing a bathroom vent fan motor. Specific fan housing designs may vary, so refer to your original fan's manual if available.

Tools Required:

- Screwdriver (Phillips and/or Flathead)
- Wrench or Socket Set (e.g., 8mm for mounting nuts)
- Pliers (optional, for stubborn nuts)
- Work Gloves
- Safety Glasses

Installation Steps:

1. **Disconnect Power:** Before beginning any work, turn off the power to the bathroom fan at the circuit breaker or fuse box. Verify power is off using a voltage tester.
2. **Remove Fan Cover:** Carefully pull down the fan cover (grille) and detach any springs or clips holding it in place.
3. **Remove Existing Motor Assembly:**
 - Locate the power cord connecting the motor to the fan housing. Disconnect it from the receptacle.
 - Identify the mounting screws or nuts holding the motor assembly to the fan housing. Loosen and remove them.
 - Carefully remove the old motor and fan blade assembly from the housing.
4. **Detach Old Fan Blade:** If the old fan blade is still attached to the old motor, carefully remove it. Note its orientation for reference.
5. **Prepare New Motor:**



Image 4: The BOJACK motor unit, ready for fan blade attachment.

- Take the new BOJACK motor.
- Align the new blower wheel fan blade onto the motor shaft. Ensure it is pushed down firmly and securely onto the splines of the shaft. The fan blade should be oriented correctly to draw air upwards.



Image 5: The BOJACK motor with the blower wheel correctly installed.

6. Install New Motor Assembly:

- Position the new motor assembly into the fan housing, aligning the mounting holes.
- Secure the motor with the mounting screws or nuts. Ensure it is tightly fastened to prevent vibration and noise.
- Plug the motor's 2-prong power cord into the receptacle within the fan housing.

7. **Replace Fan Cover:** Reattach the fan cover (grille) to the housing.

8. **Restore Power:** Turn the power back on at the circuit breaker.

9. **Test Operation:** Turn on the bathroom fan switch to ensure the new motor operates correctly and quietly.

7. OPERATION

The BOJACK Bathroom Vent Fan Motor operates automatically when power is supplied through the fan's wall switch. Once installed, simply use your existing bathroom fan switch to turn the ventilation fan on or off. The motor is designed for continuous counter-clockwise rotation (CCW) at 3000 RPM, providing effective air circulation for your bathroom.

8. MAINTENANCE

Regular maintenance helps ensure the longevity and efficient operation of your vent fan motor.

1. **Power Disconnection:** Always disconnect power at the circuit breaker before performing any maintenance.
2. **Clean Fan Grille:** Periodically remove the fan grille and wash it with mild soap and water. Dry thoroughly before reattaching.
3. **Clean Blower Wheel:** With the power off, carefully remove the blower wheel (if easily detachable) and clean it with a soft brush or cloth to remove dust and debris. A build-up of dust can reduce airflow and increase noise.
4. **Motor Cleaning:** Gently wipe the exterior of the motor with a dry cloth. Do not use water or cleaning solutions directly on the motor. The motor is permanently lubricated and does not require additional oiling.
5. **Reassembly:** Reassemble all components, ensuring they are securely fastened. Restore power and test operation.

9. TROUBLESHOOTING

If you experience issues with your BOJACK Bathroom Vent Fan Motor, refer to the following common problems and solutions:

Problem	Possible Cause	Solution
Fan does not turn on.	No power to the unit. Motor not properly plugged in. Faulty wall switch.	Check circuit breaker. Ensure motor plug is fully inserted. Test or replace wall switch.
Fan is excessively noisy.	Loose mounting screws. Dirty blower wheel. Fan blade hitting housing.	Tighten all mounting screws. Clean blower wheel (see Maintenance). Ensure fan blade is properly seated on shaft and not touching housing.
Poor airflow.	Dirty blower wheel or grille. Obstruction in ductwork.	Clean blower wheel and grille. Inspect ductwork for blockages.

If troubleshooting steps do not resolve the issue, contact customer support.

10. WARRANTY AND CUSTOMER SUPPORT

BOJACK products are manufactured to high-quality standards. For specific warranty information, please refer to the product packaging or contact BOJACK customer support directly.

For technical assistance, replacement parts, or general inquiries, please visit the official BOJACK website or contact their customer service department.

