

Manuals+

[Q & A](#) | [Deep Search](#) | [Upload](#)

manuals.plus /

- › [Smeg](#) /
- › [SMEG FMI625CN 25 Litre Built-In Combination Microwave User Manual](#)

Smeg FMI625CN

SMEG FMI625CN 25 Litre Built-In Combination Microwave User Manual

Model: FMI625CN

INTRODUCTION

Thank you for choosing the Smeg FMI625CN Built-In Combination Microwave. This manual provides essential information for the safe and efficient operation, installation, and maintenance of your appliance. Please read it thoroughly before use and keep it for future reference.

This appliance combines microwave, grill, and convection heating functions, offering versatile cooking options for your kitchen.

SAFETY INFORMATION

Always follow basic safety precautions when using electrical appliances to reduce the risk of fire, electric shock, or injury to persons.

- Do not operate the microwave if the door or door seals are damaged.
- Ensure proper ventilation around the appliance.
- Do not heat sealed containers, as they may explode.
- Only use microwave-safe utensils.
- Supervise children when the appliance is in use.
- The appliance must be earthed.
- Do not attempt to service or repair the appliance yourself. Contact qualified service personnel.

PRODUCT OVERVIEW



Figure 1: Front View. This image shows the sleek black front panel of the Smeg FMI625CN microwave, featuring a large glass door, a digital display indicating the time (12:34), and intuitive touch controls vertically aligned on the right side.



Figure 2: Control Panel Detail. A closer, angled view of the microwave, emphasizing the touch control panel. Icons for various functions such as power level, defrost, grill, and timer are visible, alongside the clear digital time display.



Figure 3: Integrated Installation Example. This image illustrates the Smeg FMI625CN microwave seamlessly integrated into kitchen cabinetry, positioned directly above a matching Smeg built-in oven, demonstrating a typical installation scenario.

SETUP AND INSTALLATION

The Smeg FMI625CN is designed for built-in installation. Professional installation is recommended to ensure proper fit and electrical connection.

Unpacking

Carefully remove the appliance from its packaging. Check for any damage during transit. Retain packaging materials for future transport if needed.

Included Accessories

Verify that the following accessories are included:

- Grill rack
- Turntable
- Frame (for built-in installation)

Installation Dimensions

Refer to the diagram below for precise installation dimensions and clearances. Ensure the cabinet opening meets the specified requirements for proper ventilation and fit.

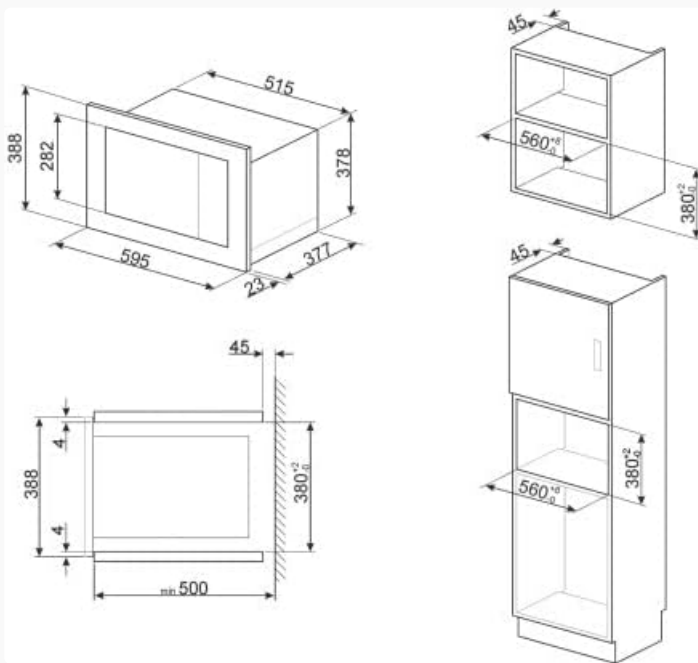


Figure 4: Installation Dimensions. This technical diagram provides detailed measurements for the microwave unit itself (595x388x377 mm) and the required built-in niche dimensions (e.g., 560x380 mm for height and width, with specific depths and clearances). These are crucial for correct installation.

Electrical Connection

The appliance requires a 230V, 50Hz power supply with a rated power of 2500W (11A). The power cable length is 150 cm. Ensure the electrical outlet is easily accessible after installation.

OPERATING INSTRUCTIONS

The Smeg FMI625CN offers multiple cooking functions controlled via its touch panel and LED display.

Control Panel Overview

The control panel features an LED display for time and settings, and touch controls for function selection and adjustment.

Available Functions

- **Microwave:** For rapid heating and cooking. Useful microwave power: 900W.
- **Grill:** For browning and crisping. Grill resistance power: 1100W.
- **Microwave + Grill:** Combines microwave speed with grilling for optimal results.
- **Microwave + Circular Resistor + Turbine:** A combination mode for comprehensive cooking. Circular resistor power: 2500W.
- **Strong Grill:** Enhanced grilling power.
- **Defrosting (by time):** Defrost food based on a set time.

Automatic Programs

The appliance includes 10 automatic programs for common dishes. Consult the full manual (not provided here) for specific program details.

Setting the Time

Upon first power-up or after a power outage, the display will flash. Use the touch controls to set the current time.

Starting a Program

1. Place food in the microwave-safe dish on the turntable.
2. Select the desired cooking function (e.g., Microwave, Grill).
3. Adjust power level or cooking time using the +/- controls.
4. Press the start button to begin cooking.

Quick Start Function

The Quick Start option allows for immediate cooking at full microwave power for a set duration (e.g., 30 seconds per press).

Child Safety Lock

Activate the child safety lock to prevent accidental operation. Refer to the full manual for instructions on activating/deactivating this feature.

MAINTENANCE AND CLEANING

Regular cleaning ensures optimal performance and extends the life of your appliance.

Interior Cleaning

Clean the stainless steel cavity regularly with a damp cloth and mild detergent. Do not use abrasive cleaners or metal scourers. The turntable can be removed for cleaning.

Exterior Cleaning

Wipe the exterior surfaces with a soft, damp cloth. For stubborn stains, use a mild glass cleaner on the door. Avoid spraying cleaners directly onto the control panel.

Turntable Care

The turntable and turntable support should be cleaned regularly. Ensure they are correctly positioned before operating the microwave.

TROUBLESHOOTING

Before contacting service, check the following common issues:

Problem	Possible Cause	Solution
Microwave does not start.	Door not closed properly; power outage; fuse blown.	Ensure door is firmly closed; check power supply; check household fuse/circuit breaker.
Food not heating evenly.	Turntable not rotating; incorrect power level/time.	Ensure turntable is correctly placed; adjust cooking settings.
Display shows an error code.	Internal malfunction.	Disconnect power for a few minutes, then reconnect. If error persists, contact service.
Unusual noise during operation.	Turntable obstruction; loose components.	Check for obstructions under the turntable; ensure all accessories are correctly placed.

SPECIFICATIONS

Feature	Detail
Brand	Smeg
Model	FMI625CN
Capacity	25 Litres
Installation Type	Built-In
Microwave Power	900 Watts
Grill Power	1100 Watts
Circular Resistor Power	2500 Watts
Control Type	Touch Controls
Cavity Material	Stainless Steel
Turntable Diameter	31.5 cm
Number of Functions	6 (Microwave, Grill, Microwave+Grill, Microwave+Circular Resistor+Turbine, Strong Grill, Defrosting by time)
Automatic Programs	10
Voltage	230 V
Frequency	50 Hz
Rated Power	2500 W
Power Cable Length	150 cm
Net Cavity Dimensions (HxWxD)	206x368x328 mm

WARRANTY AND SUPPORT

Smeg appliances come with a standard manufacturer's warranty. Please refer to the warranty card included with your purchase for specific terms and conditions.

For technical assistance, spare parts, or to schedule a service appointment, please contact Smeg customer support or visit the official Smeg website. Ensure you have your model number (FMI625CN) and serial number ready when contacting support.

Smeg Official Website: www.smeg.com