

Manuals.plus /

› ARROWMAX /

› ARROWMAX SDS MINI PLUS Mini Electric Drill with Benchtop Drill Press Instruction Manual

ARROWMAX AM-199972

ARROWMAX SDS MINI PLUS Mini Electric Drill with Benchtop Drill Press Instruction Manual

Model: AM-199972

INTRODUCTION

Thank you for choosing the ARROWMAX SDS MINI PLUS Mini Electric Drill with Benchtop Drill Press. This precision tool is designed for intricate drilling tasks in various materials, offering portability and ease of use. This manual provides essential information for the safe and efficient operation and maintenance of your new device.

Key Features:

- **Pocket Size & Precise Power:** Compact design with a 350mAh LiPo battery and 550r/min rotate speed for powerful and efficient performance.
- **Industrial-grade Benchtop Drill Press:** Made of precisely machined aviation aluminum alloy for high accuracy and stability.
- **10 Size-Marked HSS Drill Bits:** Includes 10 different bits (0.6mm to 2.2mm with 2.35mm diameter shaft) suitable for plastic, shell, wood, leather, and more. Easy to change with a keyless chuck.
- **4 Shadow-less LED Lights & Indicators:** Illuminates the work area and provides battery status.
- **One-Key Operation:** Simple control for clockwise, counter-clockwise rotation, and power off.

SAFETY INFORMATION

Always follow basic safety precautions when using this product to reduce the risk of fire, electric shock, or personal injury. Read all instructions carefully before use.

- Wear appropriate safety glasses to protect your eyes from debris.
- Ensure the workpiece is securely clamped or held to prevent movement during drilling.
- Keep hands and loose clothing away from rotating parts.
- Do not force the drill; let the tool do the work.
- Keep the work area clean and well-lit.
- Store the tool and accessories in a dry, secure place away from children.

PACKAGE CONTENTS

Verify that all items are present upon opening the package:

- ARROWMAX SDS MINI PLUS Mini Electric Drill
- Benchtop Drill Press
- 10 HSS Drill Bits (0.6mm to 2.2mm)
- USB-C Charging Cable
- Instruction Manual
- Allen Key and extra screws for assembly

Video: Unboxing the ARROWMAX SDS MINI PLUS. This video demonstrates the contents of the package, including the drill, benchtop press, drill bits, and accessories.

PRODUCT OVERVIEW

Familiarize yourself with the components of your ARROWMAX SDS MINI PLUS.



Image: Detailed view of the ARROWMAX SDS MINI PLUS electric drill, highlighting its easy chucking system, one-key operation, LED lights, working status indicator, and Type-C charging port.

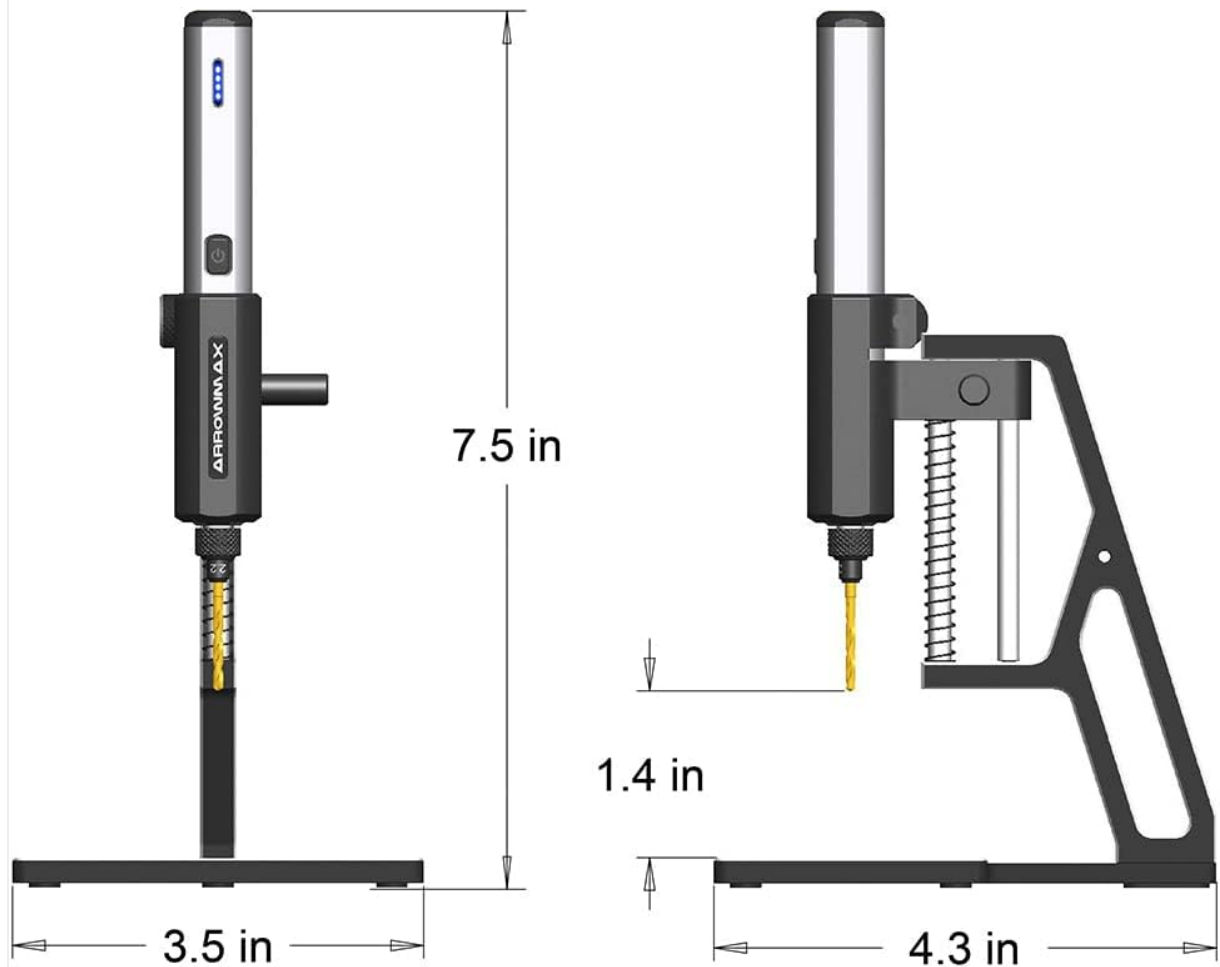


Image: Diagram showing the dimensions of the ARROWMAX SDS MINI PLUS electric drill and its benchtop press attachment.

Video: A detailed overview of the SDS MINI PLUS, showcasing its features and design.

SETUP

1. Charging the Electric Drill

Before first use, fully charge the electric drill. The drill supports USB-A to USB-C charging. The LED indicators will show the charging status.

- Connect the provided USB-C cable to the drill's charging port.
- Connect the other end to a compatible USB-A power source.
- The LED indicators will illuminate to show charging progress.
- Press the button while charging to check the current charging status.

2. Attaching Drill Bits

The SDS MINI PLUS features a keyless chuck for easy bit changes.

1. Twist the chuck counter-clockwise to loosen it.
2. Insert the desired drill bit (0.6mm to 2.2mm, 2.35mm shaft diameter) into the chuck.
3. Twist the chuck clockwise to tighten and secure the drill bit.

DIFFERENT DRILL BITS WIDE APPLICATION



Image: A selection of the 10 HSS drill bits included with the ARROWMAX SDS MINI PLUS, ranging from 0.6mm to 2.2mm, designed for wide application.

3. Assembling the Benchtop Drill Press

The benchtop drill press provides enhanced precision for your drilling tasks.

1. Attach the main frame of the drill press to the base using the provided screws and Allen key.
2. Slide the electric drill into the holder on the press. Secure it with the side screw.
3. Ensure the drill is firmly seated and aligned.

Video: Demonstration of assembling the SDS PRO PLUS benchtop drill press and attaching the electric drill.

Video: More information about the SDS Benchtop Press, showcasing its features and stability.

OPERATING INSTRUCTIONS

1. Power On/Off and Direction Control

The drill features a single button for all operations:

- **First Press:** Activates clockwise rotation.
- **Second Press:** Activates counter-clockwise rotation.
- **Third Press:** Turns the drill off.

You do not need to continuously press the button during operation.

2. Drilling with the Electric Drill

For handheld use:

- Hold the drill firmly and position the drill bit over the desired spot.
- Press the button to start drilling in the desired direction.
- The 4 shadow-less LED lights will illuminate the work area for better visibility.

For use with the Benchtop Drill Press:

- Place the workpiece on the base of the drill press. The base has measurements for precise positioning.
- Adjust the workpiece to align with the drill bit.
- Press the drill's button to start rotation.
- Use the lever on the side of the press to gently lower the drill bit into the material. The spring mechanism assists in smooth operation.



Image: The ARROWMAX SDS MINI PLUS in action, demonstrating how its LED lights illuminate the drilling area for enhanced focus and visibility in dark conditions.

FOR DIY/MINIATURES



DIY CRAFT



JEWELRY



BRACELET



MODEL MAKING



WOOD



AMBER



Image: Examples of the ARROWMAX SDS MINI PLUS being used for various DIY and miniature projects, including craft, jewelry, bracelet making, model making, wood, and amber.

Video: The SDS MINI PLUS in use, demonstrating its capability for drilling holes in various materials with precision.

MAINTENANCE

1. General Care and Cleaning

- Wipe the drill and drill press with a clean, dry cloth after each use to remove dust and debris.
- Do not use harsh chemicals or abrasive cleaners.
- Keep the drill bits clean and sharp for optimal performance.

2. Battery Maintenance

- To ensure the best user experience, fully charge the drill before first use.

- Always ensure the electric drill is fully charged before storing it for extended periods.
- Avoid completely draining the battery frequently to prolong its lifespan.

3. Drill Bit Storage

The included aluminum case features magnetic holders to keep the drill bits securely in place, preventing loss and damage.

TROUBLESHOOTING

1. Drill Bit Not Lining Up with Benchtop Press Hole

If the drill bit does not align perfectly with the hole in the benchtop press base, check the assembly of the press. Ensure all screws are tightened correctly and the drill is seated properly in its holder. If the issue persists, it may indicate a manufacturing variation; contact customer support for assistance.

2. Drill Not Charging

Ensure you are using a USB-A to USB-C charging cable. The drill does not support USB-C PD chargers. Verify the cable and power source are functioning correctly.

3. Lack of Power or Precision

The ARROWMAX SDS MINI PLUS is designed for precision work on small materials. It is not intended for heavy-duty drilling tasks. Ensure the drill bit is sharp and appropriate for the material being drilled. For optimal precision, use the benchtop drill press.

SPECIFICATIONS

Feature	Specification
Brand	ARROWMAX
Model Number	AM-199972
Power Source	Battery Powered
Battery Type	1 Lithium Polymer (included)
Battery Capacity	350 Milliamp Hours
Voltage	4 Volts
Amperage	2 Amps
Maximum Rotational Speed	550 RPM
Maximum Chuck Size	0.09 Inches (2.35mm)
Drilling Capacity (Wood)	0.09 Inches
Material	Metal (Aviation Aluminum Alloy for Press)
Item Weight	4.6 ounces (130 Grams)
Product Dimensions	10.75"L x 4.75"W x 2.03"H
Special Feature	Reverse Rotation, LED Lights

WARRANTY AND SUPPORT

For warranty information, technical support, or any inquiries regarding your ARROWMAX SDS MINI PLUS, please refer to the contact details provided in your product packaging or visit the official ARROWMAX website. Our customer service team is available to assist you with any issues or questions you may have.