

Manuals.plus /

› VASAGLE /

› VASAGLE UKKS024B01 Coffee Bar & Baker's Rack Instruction Manual

VASAGLE UKKS024B01

VASAGLE UKKS024B01 Coffee Bar & Baker's Rack Instruction Manual

Model: UKKS024B01 - Rustic Brown + Ink Black

IMPORTANT SAFETY INSTRUCTIONS

- Always secure the product to the wall using the included anti-tip kit to prevent tipping.
- Do not allow children to climb or play on the product.
- Ensure all screws and fasteners are securely tightened before use.
- Do not exceed the maximum weight limit of 85 pounds per shelf.
- Place heavier items on lower shelves for increased stability.

PACKAGE CONTENTS

Verify that all components listed below are present before beginning assembly. If any parts are missing or damaged, please contact customer support.

- 1 x Kitchen Baker's Rack
- 6 x S-Hooks
- 1 x Anti-Tip Kit
- 1 x Assembly Kit (includes necessary tools and fasteners)
- 1 x Instructions Manual

Easy to Assemble

Clear, illustrated instructions for easy assembly



Image: All components of the baker's rack laid out on the floor, including wooden shelves, metal frames, screws, and the instruction manual.

ASSEMBLY INSTRUCTIONS

Assembly is required for this product. Follow these steps carefully for a secure and stable setup. An assembly kit with all necessary tools is included.

- 1. Unpack and Identify Parts:** Carefully unpack all components and lay them out on a clean, soft surface to prevent scratches. Identify each part by comparing it with the parts list in the included manual. It is recommended to sort screws by type before starting.
- 2. Assemble the Frame:** Attach the metal frame pieces together using the provided screws and the Allen wrench from the assembly kit. Ensure all connections are firm but do not overtighten initially.

3. **Install Shelves:** Secure the wooden shelves to the assembled metal frame. The main countertop is typically installed first, followed by the upper and lower shelves. Ensure the adjustable middle lower shelf is set to your desired height before fully tightening.
4. **Attach X-Shaped Reinforcement:** Install the X-shaped metal bars on the back of the unit for added stability.
5. **Install Adjustable Feet:** Screw the adjustable feet into the bottom of the frame. These can be adjusted later to level the rack on uneven surfaces.
6. **Attach S-Hooks:** Hang the 6 S-hooks onto the designated bars on the upper section of the rack.
7. **Secure with Anti-Tip Kit:** For safety, attach the anti-tip kit to the top of the rack and secure it to the wall.

Detachable & Adjustable Shelves

Fit items of various sizes



- 2 detachable shelves in the upper section
- The middle shelf in the lower section has 2 height options

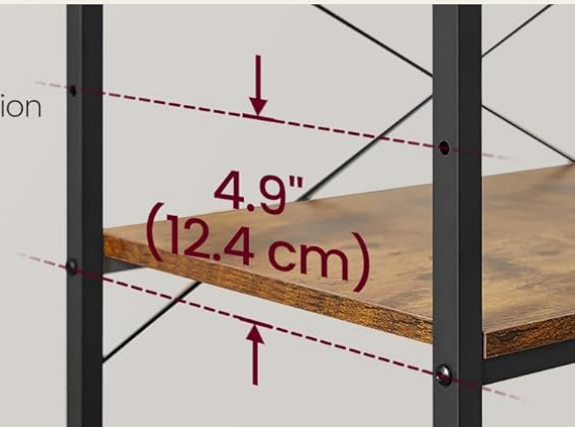


Image: Detailed view of the anti-tip kit, X-shaped reinforcement, and adjustable feet, demonstrating the stability features of the rack.

Easy to Assemble

Clear, illustrated instructions for easy assembly



Image: A close-up of the S-hooks attached to the side bar of the baker's rack, ready for hanging kitchen utensils.

Your browser does not support the video tag.

Video: A quick overview of the VASAGLE Coffee Bar Microwave Stand, highlighting its features and ease of assembly.

PRODUCT FEATURES

The VASAGLE UKKS024B01 Coffee Bar & Baker's Rack is designed for versatile kitchen storage and organization.

- **Versatile Design:** This standing baker's rack serves multiple purposes, functioning as a coffee bar, microwave stand, or general kitchen storage.
- **Adjustable Shelving:** The middle shelf of the large lower section can be adjusted to two different heights, accommodating various kitchen appliances and utensils, from blenders to pots and pans.

- **Solid Construction:** Built with a robust steel frame and durable particleboard, ensuring stability and longevity for holding heavy items like microwaves and coffee machines.
- **Space-Saving:** With dimensions of 15.7"D x 23.6"W x 65.7"H, this 6-tier unit is ideal for compact kitchens, maximizing vertical storage space.
- **Enhanced Stability:** Features adjustable feet to compensate for uneven floors and an anti-tip kit for secure wall attachment, preventing wobbling and ensuring safety.

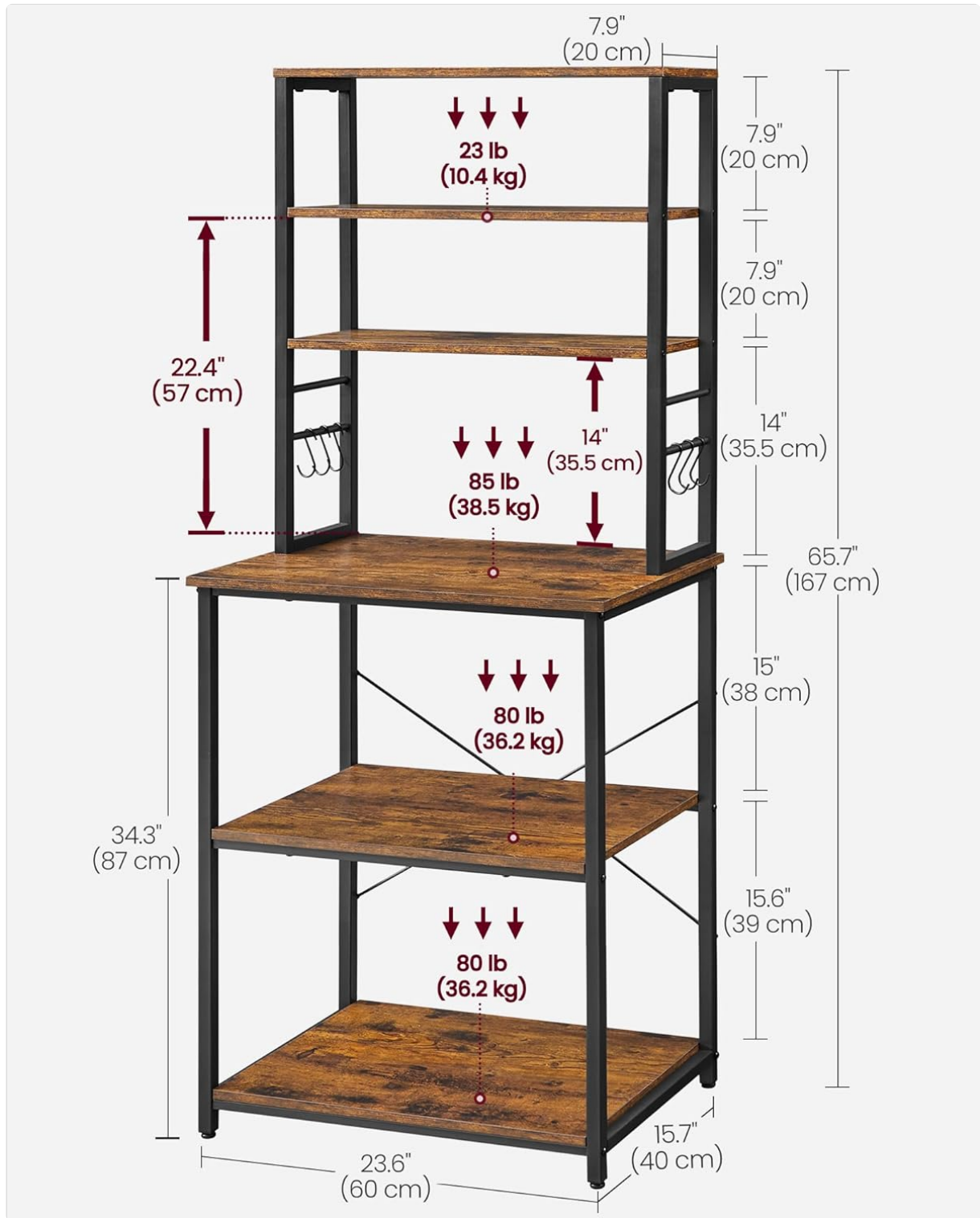


Image: The baker's rack filled with kitchen essentials, demonstrating its large storage capacity and organizational potential.

Large Capacity

Shelves and hooks keep items of different sizes organized



Image: A visual representation of the detachable and adjustable shelves, showing how they can be configured to fit items of various sizes.

Detachable & Adjustable Shelves

Fit items of various sizes



- 2 detachable shelves in the upper section
- The middle shelf in the lower section has 2 height options

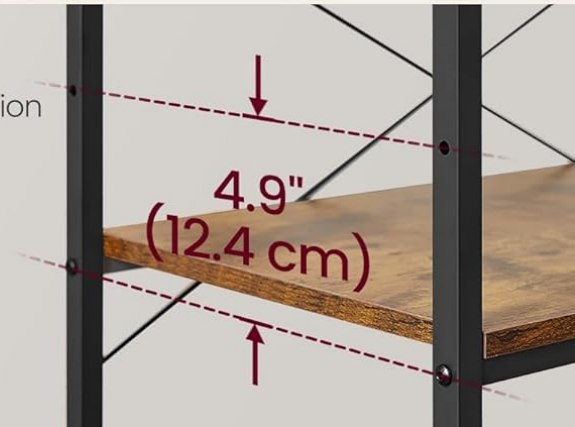


Image: A microwave and a toaster oven comfortably placed on the lower shelves, illustrating the rack's ability to accommodate small appliances.

Your browser does not support the video tag.

Video: A demonstration of the baker's rack as a storage solution for small spaces, showcasing its compact design and utility.

OPERATING INSTRUCTIONS

This baker's rack is designed for straightforward use. Consider the following guidelines for optimal performance:

- **Weight Distribution:** Distribute weight evenly across the shelves. Place heavier appliances or items on the main countertop and lower shelves to maintain stability. The maximum weight capacity is 85

pounds per shelf.

- **Appliance Placement:** Utilize the main countertop for frequently used appliances like coffee makers or blenders. The lower shelves are suitable for microwaves, toaster ovens, or larger pots.
- **Hook Usage:** The included S-hooks are ideal for hanging kitchen utensils, mugs, or small towels, keeping them within easy reach and freeing up drawer space.
- **Adjustable Feet:** Periodically check and adjust the leveling feet to ensure the rack remains stable, especially if moved or placed on an uneven surface.

MAINTENANCE AND CARE

To ensure the longevity and appearance of your VASAGLE Baker's Rack, follow these simple care instructions:

- **Cleaning:** Wipe the surfaces with a dry cloth to remove dust and light spills. For more stubborn marks, use a damp cloth with mild soap and water, then dry immediately. Avoid abrasive cleaners or harsh chemicals that could damage the finish.
- **Spill Management:** Promptly clean up any liquid spills to prevent water damage or staining to the particleboard shelves.
- **Inspection:** Regularly inspect all screws and connections to ensure they remain tight. Retighten if necessary to maintain structural integrity.
- **Avoid Excessive Heat/Moisture:** While durable, prolonged exposure to excessive heat or moisture can affect the material. Use heat-resistant mats under hot appliances if placed directly on the shelves.

TROUBLESHOOTING

If you encounter any issues with your baker's rack, refer to the following common solutions:

- **Wobbling/Instability:**
 - Ensure all screws are fully tightened.
 - Adjust the leveling feet at the bottom of the rack to stabilize it on uneven floors.
 - Verify the X-shaped reinforcement bars are correctly installed and tightened.
 - Confirm the anti-tip kit is securely fastened to both the rack and the wall.
- **Difficulty Assembling:**
 - Double-check the instruction manual for correct part orientation and screw placement.
 - Ensure you are using the correct screws for each step, as some may vary slightly in length.
 - Do not overtighten screws until the entire section is assembled, then tighten all screws firmly.
- **Damaged or Missing Parts:** If any parts arrived damaged or are missing from the package, please contact VASAGLE customer support with your purchase details for assistance.

SPECIFICATIONS

Brand	VASAGLE
Model Name	Coffee Bar
Item Model Number	UKKS024B01
Product Dimensions	15.7"D x 23.6"W x 65.7"H (40cm D x 60cm W x 167cm H)
Item Weight	35.5 Pounds (16.1 kg)
Material	Alloy Steel, Engineered Wood (Particleboard)
Color	Rustic Brown + Ink Black
Number of Shelves	6
Weight Limit (per shelf)	85 Pounds (38.5 kg)
Assembly Required	Yes
Installation Type	Freestanding



Image: Technical drawing showing the detailed dimensions and weight capacities of the baker's rack.

WARRANTY AND SUPPORT

For any questions, concerns, or assistance with your VASAGLE UKKS024B01 Coffee Bar & Baker's Rack, please refer to the following information:

- **Return Policy:** This product is eligible for a 30-day refund/replacement policy through Amazon. Please refer to Amazon's return policy for detailed terms and conditions.
- **Manufacturer Support:** For product-specific inquiries, technical support, or warranty claims beyond the return period, please contact VASAGLE directly. Contact information can typically be found on the product packaging or the official VASAGLE website.
- **Included Components:** If any components listed in the 'Package Contents' section were missing or

damaged upon arrival, please contact the seller or manufacturer immediately for replacements.