

[Manuals.plus](#) /

> [GREENSTELL](#) /

> GREENSTELL Mobile TV Stand with Power Outlet (Model: HQ-DSHZJ003-01) Instruction Manual

GREENSTELL HQ-DSHZJ003-01

GREENSTELL Mobile TV Stand with Power Outlet (Model: HQ-DSHZJ003-01) Instruction Manual

For 23-60 inch LED LCD Flat Curved Panel Screen TVs, up to 88 lbs

INTRODUCTION

This manual provides detailed instructions for the assembly, operation, and maintenance of your GREENSTELL Mobile TV Stand. Please read this manual thoroughly before assembly and use to ensure safe and correct operation. Keep this manual for future reference.

SAFETY INFORMATION

- Ensure all parts are present and undamaged before assembly. Do not use if any parts are missing or defective.
- Do not exceed the maximum weight capacity of 88 lbs (40 kg) for the TV stand and 22 lbs (10 kg) for the AV shelf.
- This stand is designed for TVs between 23 and 60 inches with VESA patterns from 75x75mm to 400x400mm. Verify your TV's specifications before mounting.
- Always lock the wheels when the stand is in a stationary position to prevent accidental movement.
- Use caution when moving the TV stand, especially on uneven surfaces.
- The integrated power outlet is rated for 120V/12A with 3 AC outlets and 2 USB ports (5V/2.4A). Do not overload the power strip.
- Assembly requires at least two people for certain steps, particularly when mounting the TV.

PACKAGE CONTENTS

Please verify that all components are included in your package. Refer to the assembly diagram for part identification.

- Main Support Pole
- Base with Wheels and Integrated Power Outlet
- TV Mounting Bracket
- AV Shelf
- Cable Management Clips (x3)
- Assembly Hardware (screws, washers, spacers, Allen key, wrench)
- Instruction Manual

SETUP AND ASSEMBLY

Follow these steps carefully for proper assembly. Tools required (included): Allen key, wrench.

Step 1: Attach Wheels to Base

Secure the four swivel caster wheels to the base of the TV stand. Ensure they are fully seated and tightened. Lock the wheels after attachment for stability during further assembly.



Figure 1: Base with wheels. Note the locking mechanism on the wheels for stability.

Step 2: Assemble Main Support Pole and AV Shelf

Connect the main support pole to the base. Install the AV shelf at your desired height. The shelf is adjustable from 7.1 inches to 36.2 inches from the floor. Secure it firmly using the provided hardware.

**ROLL ANYWHERE
STURDY AND STABLE**



Figure 2: Main support pole and AV shelf assembly. The shelf height can be adjusted.

Step 3: Attach TV Mounting Brackets to TV

Identify your TV's VESA mounting holes on the back. Attach the vertical TV mounting brackets to your TV using the appropriate screws, washers, and spacers from the hardware kit. Ensure the brackets are securely fastened and level.

VESA COMPATIBLE

Common Vesa Patterns:

75X75	100X100
200X100	200X200
300X200	300X300
400X200	400X300
400X400	

Unit: mm



Vesa =
Horizontal x Vertical
(4 mounting holes on TV back)

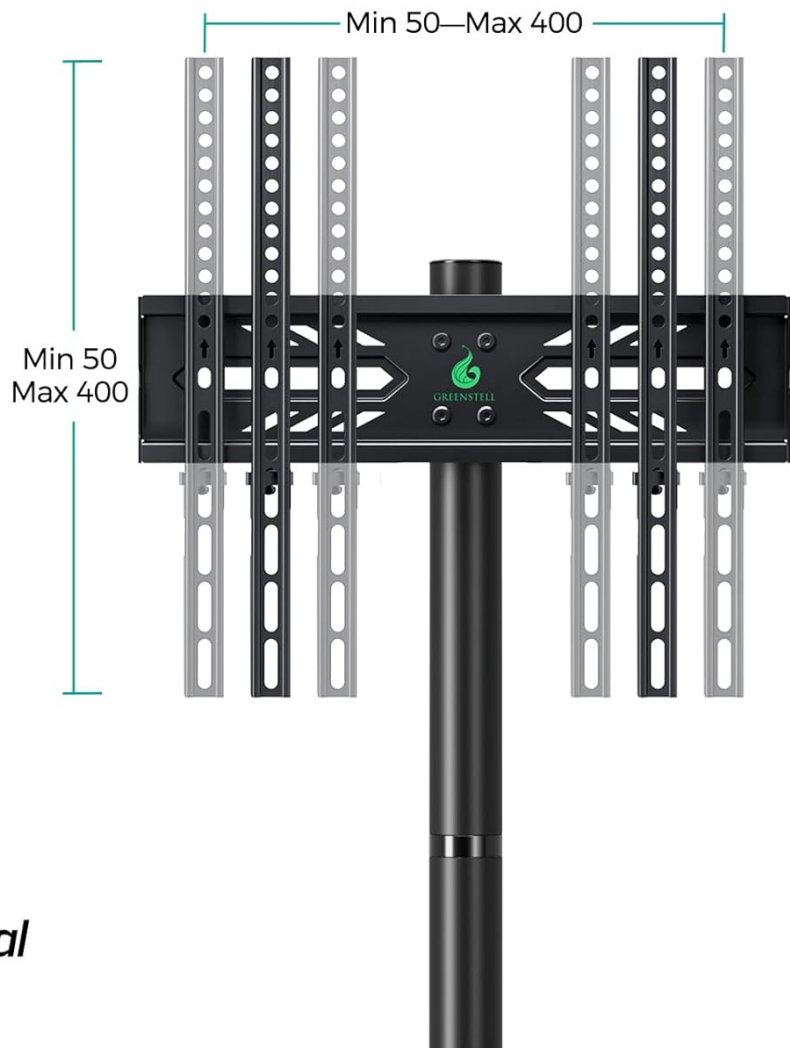


Figure 3: VESA compatibility guide. Measure your TV's VESA pattern (Horizontal x Vertical) to select correct hardware.

Step 4: Mount TV to Stand

With assistance from another person, carefully lift the TV and hook the attached brackets onto the TV mounting plate on the stand. Secure the TV to the stand using the safety screws at the bottom of the brackets to prevent accidental dislodgement. The TV height is adjustable from 50 inches to 65.4 inches.



Figure 4: Fully assembled GREENSTELL Mobile TV Stand with a TV and laptop. The power outlet is visible at the base.

SAY GOODBYE TO

MESSY CABLES



Figure 5: The TV stand in use, demonstrating its mobility and utility in various environments.

OPERATING INSTRUCTIONS

Adjusting TV Height

The TV mounting plate allows for height adjustment along the main support pole. Loosen the securing bolts, adjust the TV to the desired viewing height (between 50" and 65.4"), and then firmly retighten the bolts. Always ensure the TV is level after adjustment.

Adjusting AV Shelf Height

The AV shelf can be adjusted independently. Loosen the shelf's securing mechanism, slide it to the preferred height (between 7.1" and 36.2"), and then tighten the mechanism to secure it in place.

Using the Mobile Functionality

To move the TV stand, unlock all four wheels. Gently push the stand to its new location. Once positioned, lock all four wheels to prevent unintended movement and ensure stability.

HEIGHT ADJUSTMENT FOR PERFECT VIEWING

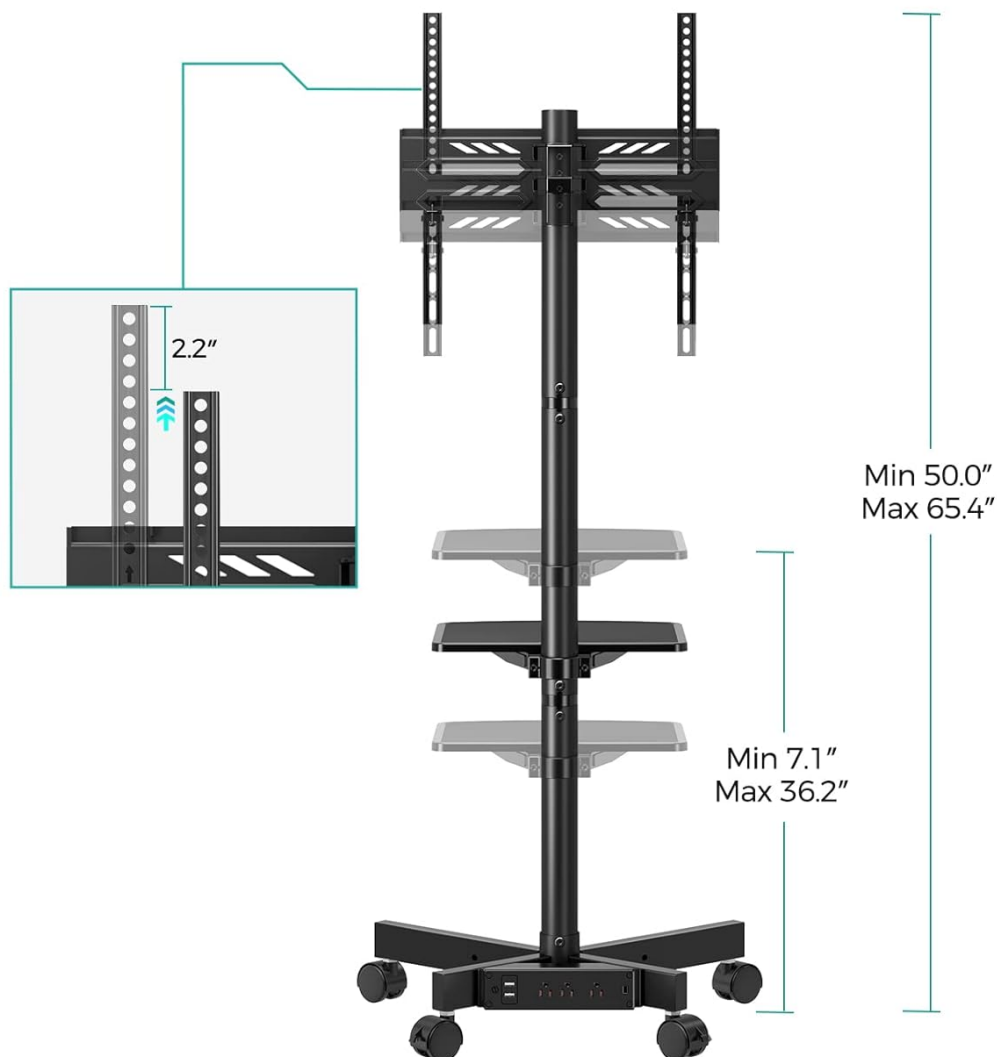


Figure 6: Detail of a locking caster wheel. Ensure all wheels are locked when stationary.

Utilizing the Integrated Power Outlet

The base of the stand features an integrated power strip with 3 AC outlets and 2 USB ports, connected by a 6.5-foot power cord. Plug the stand's power cord into a wall outlet. You can then plug your TV, media devices, and charge mobile devices directly into the stand's power strip. Use the provided cable management clips to keep cables organized and tidy along the support pole.



**YOU CAN ALSO
INSTALL IT ON THE FRONT**



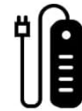
120V/12A

[3 AC Outlets]



5V/2.4A

[2 USB Ports]



6.5-Foot

[Power Cord]

POWER STRIP

Figure 7: Integrated power strip and cable management system. Cables can be routed neatly.



Figure 8: Example of effective cable management using the integrated features.

MAINTENANCE

- **Cleaning:** Wipe the stand with a soft, damp cloth. Avoid abrasive cleaners or solvents that could damage the finish.
- **Hardware Check:** Periodically check all screws and bolts to ensure they remain tight. Retighten if necessary.
- **Wheel Inspection:** Ensure wheels are free of debris and roll smoothly. Lubricate if needed.

TROUBLESHOOTING

Problem	Possible Cause	Solution
---------	----------------	----------

Problem	Possible Cause	Solution
Stand is unstable or wobbles.	Loose connections; uneven floor; wheels not locked.	Check and tighten all assembly bolts. Ensure stand is on a level surface. Lock all four wheels.
TV does not fit the mounting brackets.	Incorrect VESA pattern; TV size outside specified range.	Verify your TV's VESA pattern (75x75mm to 400x400mm) and size (23-60 inches). This stand is not compatible with all TVs.
Power outlet not working.	Stand's power cord not plugged in; wall outlet issue; overloaded power strip.	Ensure the stand's power cord is securely plugged into a functional wall outlet. Check the wall outlet with another device. Reduce the number of devices plugged into the stand's power strip.
Wheels are difficult to roll.	Wheels are locked; debris in wheels; wheels need lubrication.	Unlock all wheels. Clear any debris from the wheels. Apply a small amount of lubricant if necessary.

SPECIFICATIONS

Model: HQ-DSHZJ003-01

Brand: GREENSTELL

Compatible TV Sizes: 23 - 60 inches

Maximum TV Load Capacity: 88 lbs (40 kg)

Maximum AV Shelf Load Capacity: 22 lbs (10 kg)

VESA Compatibility: 75x75mm to 400x400mm

Height Adjustment (TV): 50 - 65.4 inches

Height Adjustment (AV Shelf): 7.1 - 36.2 inches

Power Outlet: 3 AC outlets (120V/12A), 2 USB ports (5V/2.4A)

Power Cord Length: 6.5 feet

Material: Iron

Product Dimensions: 20.5 x 14.4 x 58.3 inches (L x W x H, approximate)

Item Weight: 17.6 pounds

WARRANTY AND SUPPORT

For warranty information or technical support, please contact GREENSTELL customer service. Details can typically be found on the product packaging or the official GREENSTELL website. Please have your model number (HQ-DSHZJ003-01) and purchase date ready when contacting support.

For further assistance, visit the [GREENSTELL Store on Amazon](#).

