

Manuals+

[Q & A](#) | [Deep Search](#) | [Upload](#)

manuals.plus /

- › [Huepar](#) /
- › [Huepar PV11+ Fine-Tuning Bracket Laser Level Mount Instruction Manual](#)

Huepar PV11+

Huepar PV11+ Fine-Tuning Bracket Laser Level Mount Instruction Manual

Model: PV11+

1. INTRODUCTION

This manual provides comprehensive instructions for the safe and effective use of your Huepar PV11+ Fine-Tuning Bracket Laser Level Mount. This multifunctional accessory is designed to enhance the precision and versatility of your laser level, offering various mounting options and fine-tuning adjustments for optimal positioning.



Image 1.1: Overview of the Huepar PV11+ Fine-Tuning Bracket and Auxiliary Back Clip.

2. KEY FEATURES

- **Positioning Device for Line Lasers:** Features a 1/4"-20 male thread, compatible with most cross line laser levels.
- **Multi-functional Auxiliary Spring Back Clip:** Enhances magnetic adsorption and stability, allowing attachment to objects up to 5cm thick. Includes a nail hole for wall fixing.
- **Multi-Directional Fine-Tuning:** Four adjusting knobs for precise control over left/right (0.8cm), back/forth (5.5cm), height (9.5cm), and 360° horizontal rotation.
- **Multiple Installation Methods:** Equipped with 1/4"-20 and 5/8"-11 female threads for tripod or laser pole mounting, strong magnets for metal surfaces, and slots for various fixing methods.
- **Dedicated Laser Window Adapter:** Allows hanging the laser tool closer to the wall for specific applications.

3. PACKAGE CONTENTS

Verify that all items are present in your package:

- Huepar PV11+ Fine-Tuning Bracket
- Auxiliary Spring Back Clip
- Dedicated Window Adapter

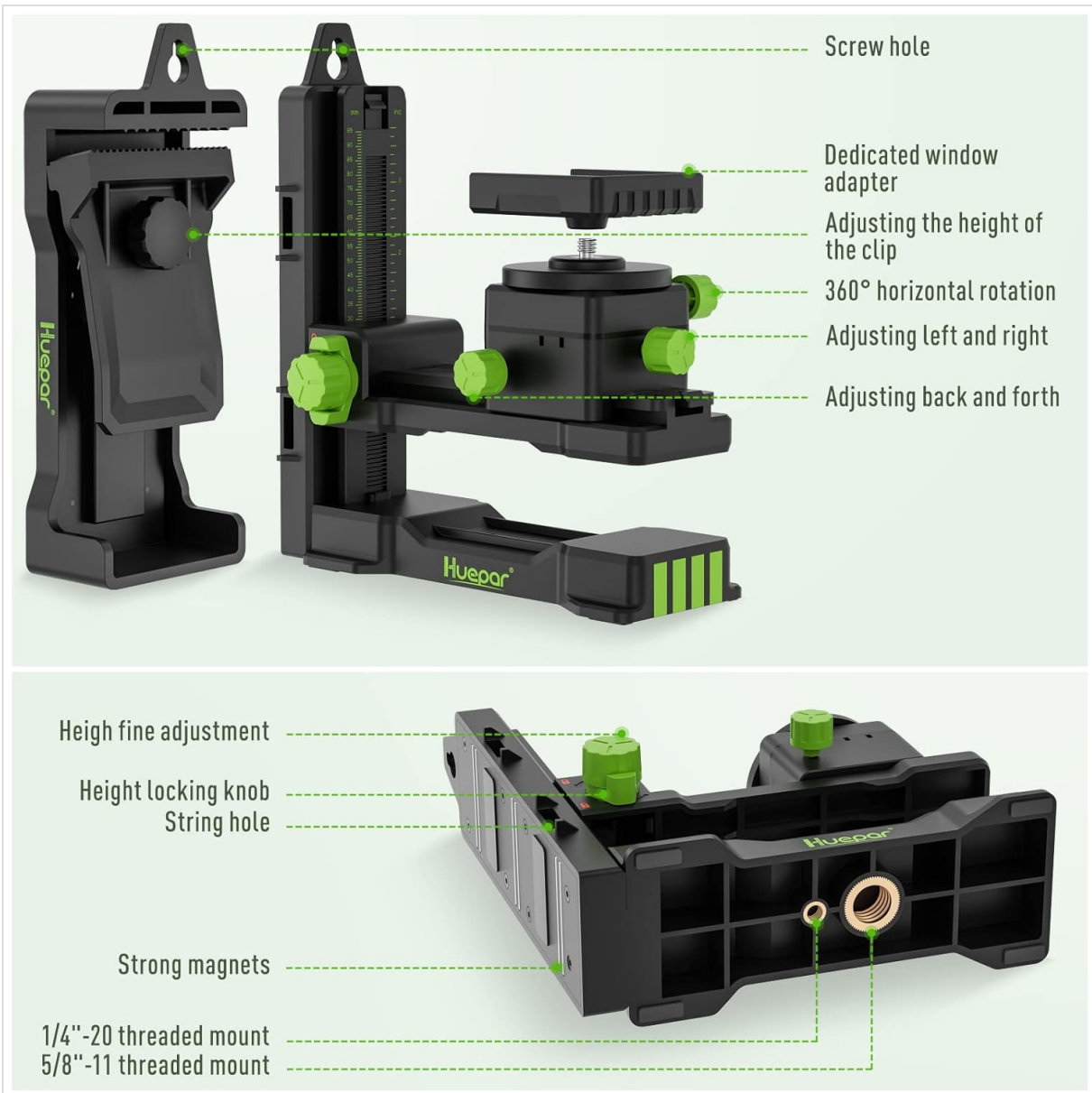


Image 3.1: Detailed view of the bracket components, including screw hole, dedicated window adapter, and adjustment points.

4. SETUP AND INSTALLATION

4.1 Attaching Your Laser Level

The PV11+ bracket features a 1/4"-20 male thread for attaching your laser level. Ensure your laser level has a corresponding 1/4" female thread. If your laser level uses a 5/8" female thread, a separate AD5/8 conversion screw adapter (not included) is required.

4.2 Mounting Options

The bracket offers several versatile mounting methods:

- **Magnetic Attachment:** The bracket can be directly attached to metal surfaces using its strong magnets. For enhanced stability or non-magnetic surfaces, attach the Auxiliary Spring Back Clip to the bracket, then use the clip's magnets on a metal surface.
- **Tripod or Laser Pole:** Utilize the 1/4"-20 or 5/8"-11 female threads on the bracket's base to mount it onto a standard tripod or laser pole.

- **Auxiliary Spring Back Clip:** This clip can be attached to objects up to 5cm thick. Adjust the opening size using the fine-tuning knob on the clip. A nail hole is provided for secure wall mounting.
- **Other Fixings:** Slots are available for screws, nails, raceways, ropes, steel sheets, or optional straps to provide firm installation in various environments.



Image 4.1: Illustration of magnetic attachment, tripod mounting, screw fixing, and strap securing methods.

4.3 Using the Dedicated Window Adapter

The dedicated window adapter allows you to position your laser level closer to the wall. Attach the adapter to the bracket, then mount your laser level. The bracket can be inverted or flipped sideways when using this adapter to achieve the desired laser line proximity.



Image 4.2: The dedicated window adapter positions the laser tool closer to the wall.

5. OPERATING INSTRUCTIONS

The Huepar PV11+ bracket features four fine-tuning knobs for precise adjustments:

- **Height Adjustment:** Use the vertical adjustment knob to fine-tune the height within a range of 9.5 cm (3.74 inches). A locking knob is provided to secure the desired height and prevent slippage.
- **Back and Forth Adjustment:** Adjust the horizontal position forward or backward within a range of 5.5 cm (2.17 inches) using the corresponding knob.
- **Left and Right Adjustment:** Fine-tune the horizontal position left or right within a range of 0.8 cm (0.32 inches) using the dedicated knob.
- **360° Horizontal Rotation:** The bracket allows for full 360-degree horizontal rotation for precise angular alignment.

Graduations are clearly marked in both inches and millimeters for easy and accurate readouts during adjustment.

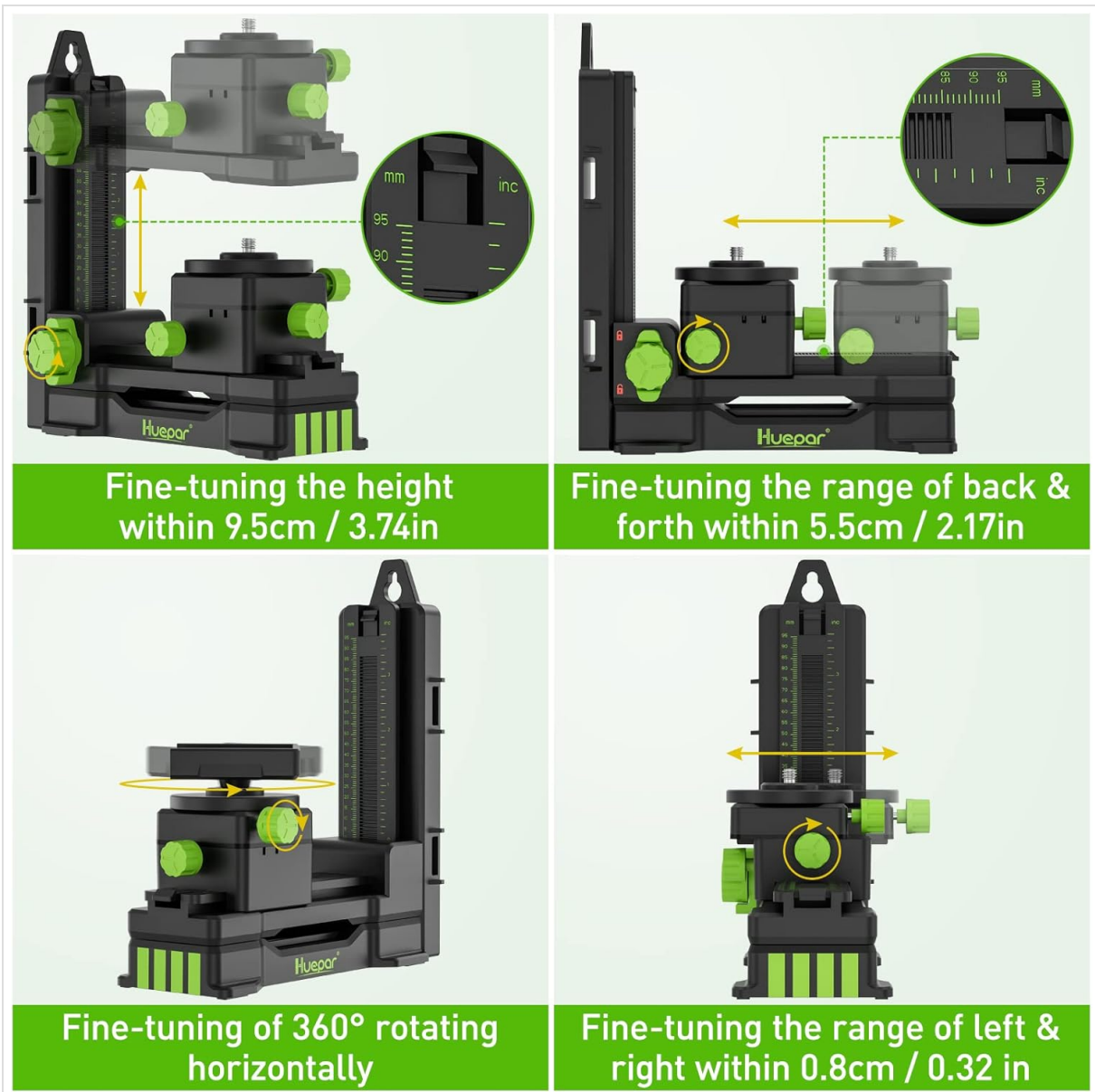


Image 5.1: Visual guide to the height, back/forth, left/right, and 360° rotation fine-tuning capabilities.

6. COMPATIBILITY

The Huepar PV11+ bracket and its dedicated adapter are compatible with the following Huepar laser level models:

- Huepar S02CG
- Huepar S03CG / S03CG-L
- Huepar S03DG / S03DG-L
- Huepar S04CG / S04CG-L
- Huepar P02CG
- Huepar P03CG
- Huepar P04CG

Compatible Huepar Models



Image 6.1: Visual representation of compatible Huepar laser level models.

7. MAINTENANCE

To ensure the longevity and optimal performance of your Huepar PV11+ Fine-Tuning Bracket, follow these maintenance guidelines:

- **Cleaning:** Wipe the bracket clean with a soft, dry cloth after each use. Avoid using abrasive cleaners or solvents that could damage the materials.
- **Storage:** Store the bracket in a dry, dust-free environment when not in use. Protect it from extreme temperatures and direct sunlight.
- **Inspection:** Periodically inspect all moving parts, knobs, and threads for any signs of wear or damage. Ensure all connections are secure before use.

8. TROUBLESHOOTING

If you encounter any issues with your Huepar PV11+ Fine-Tuning Bracket, consider the following general troubleshooting steps:

- **Stability Issues:** Ensure the bracket is securely mounted using the appropriate method for your

surface. If using the magnetic base, confirm the surface is ferromagnetic and clean. When using the back clip, ensure it is clamped firmly.

- **Adjustment Difficulties:** Check that no locking mechanisms are engaged preventing movement. Ensure the fine-tuning knobs are not overtightened or cross-threaded.
- **Laser Level Attachment:** Verify that your laser level has the correct thread size (1/4"-20) or that the appropriate adapter (AD5/8 for 5/8" threads) is used and securely fastened.

For persistent issues or further assistance, please refer to the Warranty & Support section for contact information.

9. SPECIFICATIONS

Feature	Specification
Brand	Huepar
Model	PV11+
Material	Alloy Steel, Metal, Plastic, Rubber
Color	Green
Product Dimensions	5.55"L x 3.23"W
Item Weight	1.37 pounds (620 Grams)
Male Thread for Laser Level	1/4"-20
Female Thread for Tripod/Pole	1/4"-20 and 5/8"-11
Height Adjustment Range	Up to 9.5 cm (3.74 inches)
Back/Forth Adjustment Range	Up to 5.5 cm (2.17 inches)
Left/Right Adjustment Range	Up to 0.8 cm (0.32 inches)
Horizontal Rotation	360°
Auxiliary Clip Opening Size	0.5 - 5 cm

10. WARRANTY AND SUPPORT

Huepar is committed to providing reliable products and excellent customer service. Your PV11+ Fine-Tuning Bracket is backed by comprehensive support:

- **Warranty:** Enjoy 2 or 3 years of free repair or replacement, depending on product registration and terms.
- **Technical Support:** Lifetime technical support is available for your product.
- **Customer Service:** For any issues or inquiries, please contact our support team. We aim to reply within 24 hours.

Please refer to the contact information provided in your product packaging or on the official Huepar website for direct support.

