

## Toolazy duct fan 6

# Toolazy Quiet 6-inch Inline Duct Fan User Manual

Model: duct fan 6

## 1. INTRODUCTION

---

This manual provides instructions for the proper installation, operation, and maintenance of your Toolazy Quiet 6-inch Inline Duct Fan. This fan is designed for various ventilation applications, including indoor grow facilities, heating and cooling transfer, commercial drying, and air filtration. It features an EC motor with a variable speed controller for efficient and quiet performance.

## 2. SAFETY INFORMATION

---

Please read all safety instructions before installing or operating the fan. Failure to follow these instructions may result in electric shock, fire, or serious injury.

- Ensure the power supply matches the fan's voltage requirements (AC 110~240 V, 50/60 Hz).
- Disconnect power before performing any installation, maintenance, or cleaning.
- Do not operate the fan with a damaged cord or plug.
- Avoid installing the fan in areas with excessive moisture or direct water exposure unless properly protected. The fan has an IP44 rating, indicating protection against solid objects larger than 1mm and water splashes from any direction.
- Keep fingers and other objects away from the fan blades during operation.
- Ensure proper grounding to prevent electrical hazards.

## 3. PACKAGE CONTENTS

---

Verify that all items are present in the package:

- Quiet 6-inch Inline Duct Fan
- AC Power Plug
- Variable Speed Controller
- Required Installation Hardware

## Smooth Operation, Efficient And Quiet



Quiet



Stepless Speed  
Regulation



Easy Use



The Toolazy 6-inch inline duct fan, featuring its EC motor and external variable speed controller for precise airflow management.

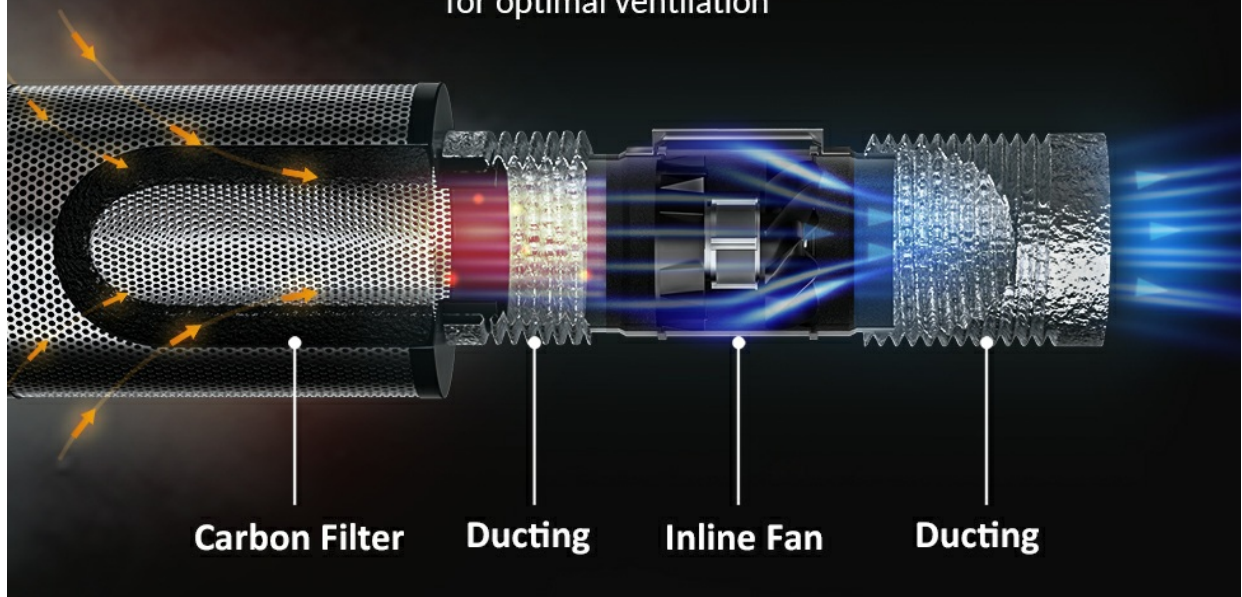
### 4. SETUP AND INSTALLATION

Follow these steps to install your inline duct fan:

1. **Choose Location:** Select a suitable location for the fan within your ducting system. Ensure it is accessible for future maintenance.
2. **Mounting:** Use the provided installation hardware to securely mount the fan. The fan can be suspended or mounted to a flat surface. Consider using vibration-dampening materials if noise transmission is a concern.
3. **Connect Ducting:** Attach 6-inch ducting to both the intake and exhaust ports of the fan. Ensure connections are airtight to maximize efficiency. Use duct clamps or tape for secure sealing.
4. **Connect Speed Controller:** Plug the variable speed controller into the designated port on the fan. The controller allows for flexible speed adjustment.
5. **Power Connection:** Connect the AC power plug to the fan and then to a compatible power outlet.

# Grow Tent Ventilation System

Effectively and quietly moves air through your target location for optimal ventilation



An illustration of the inline duct fan installed within a ducting system, demonstrating typical setup for air circulation.



A diagram illustrating a complete grow tent ventilation system, showing the integration of a carbon filter, ducting, and the inline fan for optimal air movement.

Your browser does not support the video tag.

This video demonstrates the installation process and highlights the features of the Toolazy Inline Duct Fan with its 0-100% variable speed controller, showcasing its smooth operation and energy efficiency.

## 5. OPERATING INSTRUCTIONS

The Toolazy inline duct fan is operated using the included variable speed controller.

- **Power On/Off:** The controller features an ON/OFF switch. Turn the switch to 'ON' to power the fan.
- **Adjust Speed:** Rotate the knob on the controller to adjust the fan speed. You can select any speed from 0% (off) to 100% (maximum airflow). The EC motor with PWM control ensures quiet operation even at low speeds.
- **Initial Spin-up:** Note that the fan may take a few seconds to reach the set speed after being turned on.



## Stepless Speed Regulation

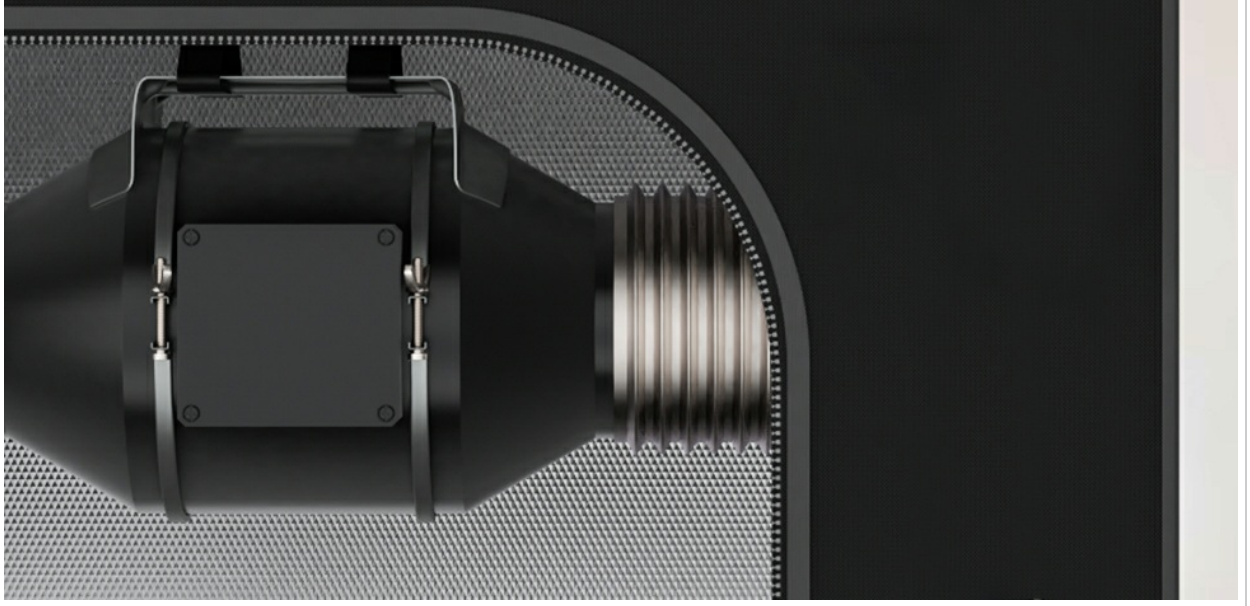
The fan speed can be easily adjusted



The external variable speed controller allows adjustment of fan speed from 0% to 100% with an ON/OFF switch, providing flexible control over ventilation.

## SMART VENTILATION

Improve your air exchange while maintaining a quiet and energy-efficient performance. adjust from anywhere with the app and wifi



This image highlights the fan's key operational benefits: quiet performance, stepless speed regulation for precise control, and overall ease of use.

## 6. MAINTENANCE

Regular maintenance ensures optimal performance and longevity of your fan.

- **Cleaning:** Periodically inspect the fan blades and housing for dust and debris accumulation. Disconnect power before cleaning. The removable duct ends facilitate quick removal and easy access for cleaning. Use a soft cloth or brush to gently clean the blades and interior.
- **Inspection:** Check the power cord and speed controller for any signs of damage. Ensure all connections remain secure.



### Stepless Speed Regulation

The fan speed can be easily adjusted

An exploded view of the fan, showing its main components including the intake valve, fan blades, strong motor, and durable housing, highlighting its lightweight and durable design with removable ends for maintenance.

## 7. TROUBLESHOOTING

If you encounter issues with your fan, refer to the following common problems and solutions:

Problem	Possible Cause	Solution
Fan does not turn on	No power; Controller off; Loose connection	Check power outlet; Ensure controller is ON; Verify all cables are securely connected.
Low airflow	Fan speed too low; Blocked ducting; Dirty fan blades	Increase speed via controller; Inspect ducting for obstructions; Clean fan blades.
Excessive noise or vibration	Loose mounting; Debris in fan; Damaged bearings	Secure mounting; Disconnect power and check for debris; Contact support if bearings are suspected.

## 8. SPECIFICATIONS

---

Key technical specifications for the Toolazy Quiet 6-inch Inline Duct Fan:

- **Duct Diameter:** 6 inches (150 mm)
- **Airflow:** 405 Cubic Feet Per Minute (CFM)
- **Power:** 60 Watts
- **Input Voltage:** AC 110~240 V, 50/60 Hz
- **Maximum Rotational Speed:** 3000 RPM
- **Noise Level:** 31 dBA
- **Bearings:** Dual Ball
- **Motor Type:** EC Motor with PWM Control
- **Material:** Acrylonitrile Butadiene Styrene
- **Product Dimensions:** 13.6 x 9.4 x 10.4 inches
- **Item Weight:** 6.6 pounds
- **IP Rating:** IP44

## SPECIFICATIONS

Duct Fan With Speed Controller

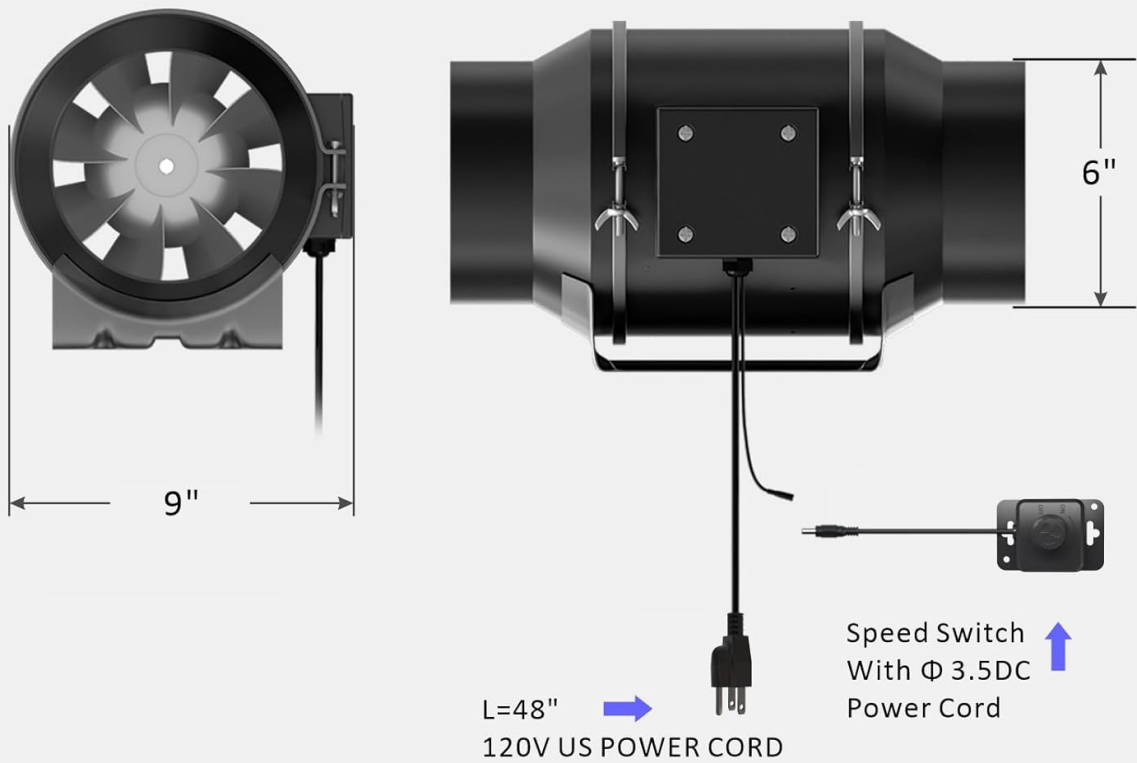
Duct Size: 6"

Powerusage: 60w

ENGINE: EC-MOTOR PWM

AIRFLOW: 405CFM

NOISE: 31dBA



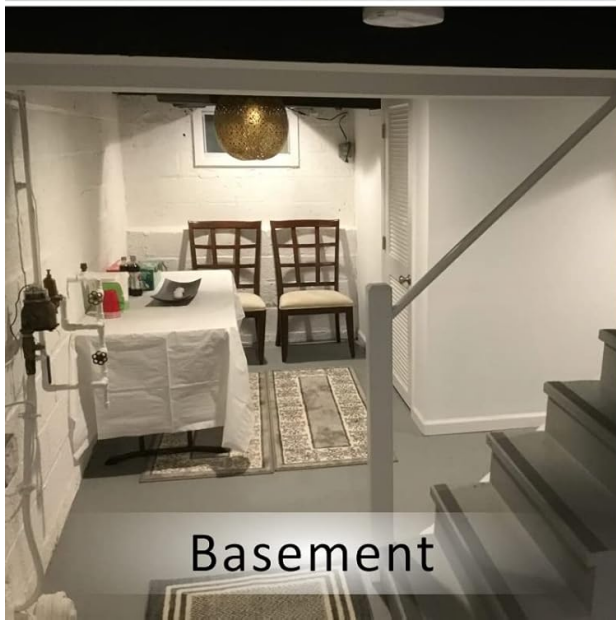
A technical diagram illustrating the fan's dimensions (9 inches length, 6 inches diameter) and specifications including duct size, power usage, engine type (EC-MOTOR PWM), airflow (405 CFM), and noise level (31 dBA). It also shows the 120V US power cord and speed switch connection.



Grow Room



Grow Tent



Basement



Kitchen

This image demonstrates various suitable environments for the inline duct fan, such as grow rooms for plant cultivation, grow tents, basements for improved air circulation, and kitchens for exhaust.

## 9. WARRANTY AND SUPPORT

The Toolazy Quiet 6-inch Inline Duct Fan is backed by a manufacturer's warranty. For specific warranty details, please refer to the product packaging or contact the seller directly.

For technical support, troubleshooting assistance, or inquiries regarding parts, please contact Toolazy customer service through the retailer where the product was purchased or visit the official Toolazy website.