

## Deer Valley DV-1K502

# DeerValley 33 inch Fireclay Farmhouse Kitchen Sink

Model: DV-1K502

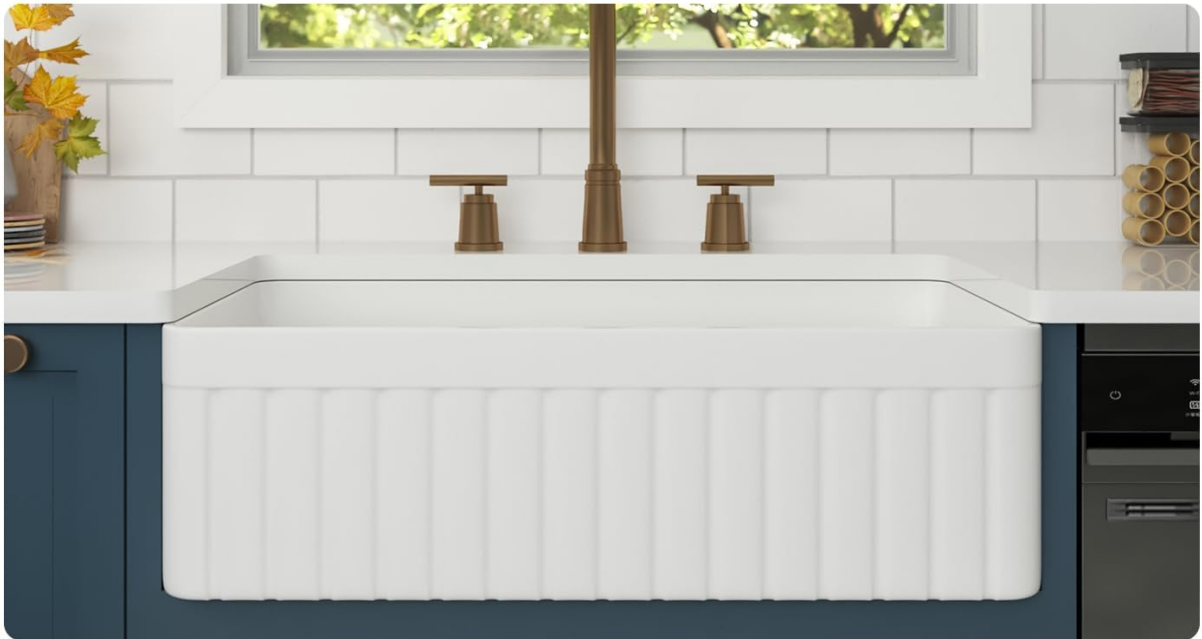
## INTRODUCTION

This instruction manual provides comprehensive guidance for the installation, operation, and maintenance of your new DeerValley Fireclay Farmhouse Kitchen Sink. Please read this manual thoroughly before beginning installation to ensure proper setup and long-lasting performance of your sink.

## PRODUCT FEATURES

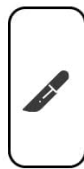
- **Durable Fireclay Construction:** Crafted from fireclay, fired at 2900°F for over 20 hours, ensuring extreme strength and durability.
- **Farmhouse Apron Design:** Features a reversible apron front, allowing you to choose between a flat or fluted design to complement your kitchen aesthetic.
- **Optimized Bottom Slope:** Engineered with a gentle slope to facilitate efficient water drainage, preventing pooling and blockages.
- **Stain and Scratch Resistant:** The solid fireclay material boasts a non-porous, smooth, glossy surface, highly resistant to chips, discoloration, scratches, cracking, and heat.
- **Spacious Single Bowl:** With exterior dimensions of 32.69" (L) x 18" (W) x 10" (H) and an interior depth of 8 7/8", it provides ample space for large kitchenware.
- **Easy to Clean Corners:** Round corners maximize usable space and simplify cleaning.
- **Sound Dampening:** Designed to minimize noise during use.
- **Bacteria Resistant:** Non-porous surface inhibits bacterial growth.

# DeerValley®



## Reversible Design

Multiple installation options allow you to choose your ideal style



## Scratch Resistant

These sinks are molded from porcelain glaze that resists stains, scratches and fading



## Heat Resistant

Up to 2000°F and resists thermal shock and extreme high temperature fluctuations



## Non-Porous Surface

Advanced glazing technology creates a durable non-porous high-gloss enamel finish

Image: Key features of the DeerValley Fireclay Sink, including reversible design, scratch resistance, heat resistance, and non-porous surface.

# Fireclay Farmhouse Kitchen Sinks



Image: Additional features such as round corners, stain resistance, bacteria resistance, heat resistance, and sound dampening.

## Engineered for Better Draining

Rear offset drain and sloped bottom with an optimized angle helps keep your fragile stemware from tripping over.



## Easy to Clean Corners

Round corners allow you to easily wipe away debris, maximize usable space in the sink bowl and make cleaning easy.

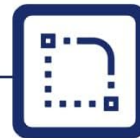
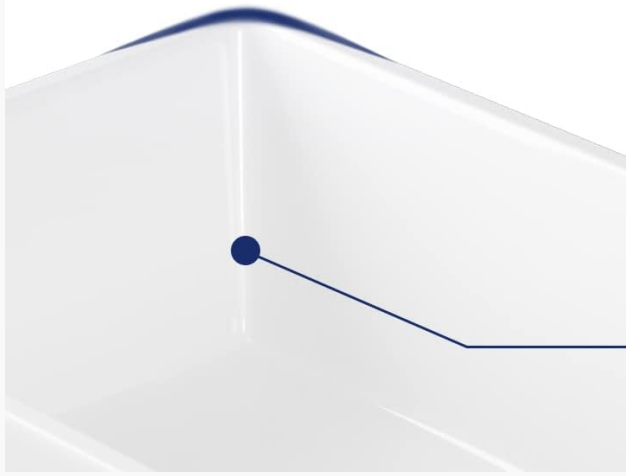


Image: Visual representation of the optimized bottom slope for better draining and the easy-to-clean round corners.

# DeerValley®

— Kitchen Sink —



DV-1K502



Image: Diagram illustrating the solid fireclay core construction and its benefits: heat-resistant, anti-scratch, stain-resistant, and anti-osmosis.

## What's good about our products?



Fireclay material is resistant to heat, breakage, scratches and discoloration



Material Comparison

Easy to deformation dents after long use and the edges are sharp and easily scratched

Fireclay kitchen sink is easy to clean and leaves no stains



Cleaning Comparison

Oil stains adhere to stainless steel surfaces which is difficult to remove

No crashing sound when washing dishes for quieter use



Noise Comparison

The collision of dishes and sink is easy to produce vibration and make a loud noise when washing dishes

Fireclay kitchen sinks are better in appearance and match with your decoration style very well



Appearance Comparison

The color of stainless steel kitchen is monotonous which is less decorative

Image: Comparison chart highlighting the advantages of fireclay sinks over stainless steel in terms of material, cleaning, noise, and appearance.

# DeerValley®

## REVERSIBLE FRONT APRON

Choose from

Front

Back



## Choose your own style

Image: Depiction of the reversible front apron, showing both the fluted and flat design options.

### COMPONENTS INCLUDED

Your DeerValley Fireclay Farmhouse Sink package includes the following items:

- Fireclay Kitchen Sink (DV-1K502) x 1
- Stainless Steel Sink Grid (DV-K502G08) x 1
- Basket Strainer (DV-1D905) x 1



Image: Visual of the included premium accessories: sink grid and basket strainer.

### EXTRA PREMIUM ACCESSORIES

30 5/8"

15 13/16"

— Sink Grid ×1 —

**DV-K502G08**

Stainless steel grid, protecting your sink from daily wear.

— Basket Strainer ×1 —

**DV-1D905**

Stainless steel strainer, compatible with 3.5 drain hole.

Image: Overview of the premium accessories package and the robust packaging designed to protect the sink during transit.

## INSTALLATION GUIDE

The DeerValley Fireclay Farmhouse Sink is designed for undermount installation. Flush-mount, overmount, or drop-in installations are not recommended for this model.

### 1. Preparation

Ensure you have all necessary tools and materials before beginning. We recommend consulting a professional for installation. Do not cut the countertop until you have received the sink, as sizes may vary slightly.

### 2. Cabinet Measurement

The minimum cabinet width (A) must be equal to or greater than the farmhouse sink rim edge width (B) to ensure proper fit and support.



**Minimum cabinet width (A) must be equal to or greater than the Farmhouse sink rim edge width (B)**

## How to Measure Cabinet

Image: Diagram illustrating how to measure your cabinet to ensure compatibility with the farmhouse sink.

### 3. Countertop Cutout

Carefully measure and cut the countertop opening according to the sink's dimensions. Ensure precise cuts for a seamless fit.

### 4. Sink Placement

Position the sink into the prepared cabinet opening. Ensure it is level and properly supported. The recommended installation method involves support strips and a support board within the cabinet.

### 5. Sealing

Apply a silicone sealant around the edges of the sink where it meets the countertop to create a watertight seal.



Image: Step-by-step visual guide for undermount installation, showing support structure and sink placement.

## Video Tutorial: Kitchen Sink Installation

Your browser does not support the video tag.

Video: Official DeerValley Apron Kitchen Sink Installation Instruction video. This video demonstrates the process of preparing the countertop, placing the sink, and sealing it for a secure and proper installation.

## OPERATING

Your DeerValley Fireclay Farmhouse Sink is designed for everyday kitchen use. Its deep single bowl accommodates large pots and pans, making dishwashing and food preparation efficient. The included sink grid protects the bottom surface from scratches and impacts, while the basket strainer effectively catches debris to prevent drain clogs.

## CARE AND MAINTENANCE

To maintain the pristine condition and longevity of your DeerValley Fireclay Sink, follow these simple care instructions:

- **Daily Cleaning:** Wipe the sink with a damp cloth after each use to remove food particles and water spots.
- **Drying:** Wipe with a dry cloth to prevent mineral buildup and maintain the glossy finish.
- **Avoid Abrasives:** Do not use abrasive cleaners, scouring pads, or harsh chemicals, as these can damage the glazed surface.
- **Gentle Cleaners:** For deeper cleaning, use a mild soap or a non-abrasive cleaner specifically designed for ceramic or porcelain surfaces.
- **Prevent Stains:** Rinse the sink thoroughly after contact with acidic foods, strong dyes, or harsh chemicals to prevent potential staining.
- **Protect from Impact:** While durable, avoid dropping heavy or sharp objects into the sink to prevent chipping. The included sink grid provides an extra layer of protection.

## TROUBLESHOOTING

Here are some common issues and their solutions for kitchen sinks:

- **Slow Draining:**

- Check the basket strainer for accumulated food debris and clean it.
- Use a plunger to clear minor clogs.
- For persistent clogs, a drain snake or professional plumbing service may be required.

- **Water Spots/Mineral Buildup:**

- Regularly wipe the sink dry after use.
- For stubborn spots, use a solution of equal parts white vinegar and water, let it sit for a few minutes, then rinse and dry.

- **Scratches (unlikely with fireclay but for general reference):**

- Ensure the sink grid is always in place to protect the surface.
- Avoid dragging heavy or sharp objects across the sink surface.

- **Leaking Around Drain:**

- Tighten the drain assembly nuts.
- Check the plumber's putty or silicone seal around the drain for cracks or deterioration and reapply if necessary.

## PRODUCT SPECIFICATIONS

Attribute	Detail
Brand	Deer Valley
Model Number	DV-1K502
Color	White
Material	Fireclay
Exterior Dimensions (L x W x H)	32.69" x 18" x 10"
Interior Bowl Depth	8 7/8"
Drain Opening	3.5"
Installation Type	Undermount (Recommended)
Finish Type	Glossy White Glaze
Item Weight	81 Pounds
UPC	751313645548

# DeerValley®

All dimensions are manually measured with a certain degree of error, the specific size please refer to the received item.

 We do not recommend cutting the countertop until you receive the sink - sizes may vary slightly.

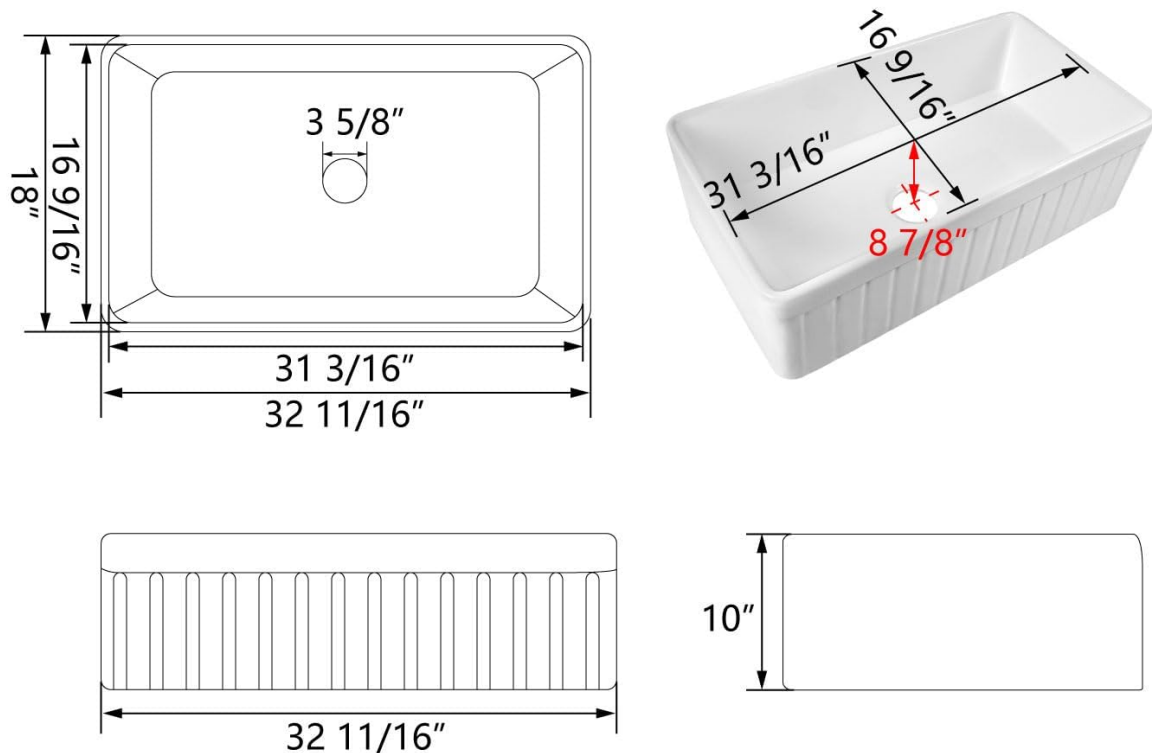


Image: Detailed dimensions of the DeerValley Fireclay Sink, including length, width, and depth measurements.

## WARRANTY INFORMATION

Your DeerValley Fireclay Farmhouse Sink comes with a **1-Year Warranty** from the date of purchase. This warranty covers manufacturing defects under normal use and service. Please retain your proof of purchase for warranty claims. For detailed warranty terms and conditions, please refer to the official Deer Valley website or contact customer support.

## CUSTOMER SUPPORT

For any questions, assistance, or technical support regarding your DeerValley Fireclay Farmhouse Sink, please contact our customer service team:

- Visit the Deer Valley Store on Amazon: [Deer Valley Store](#)
- Refer to the official User Manual (PDF) for additional details: [User Manual PDF](#)

Our dedicated team is committed to ensuring your DeerValley experience is exceptional.

