

Manuals+

[Q & A](#) | [Deep Search](#) | [Upload](#)

Manuals.plus /

› [SIAMP](#) /

› SIAMP MSE LTV Outlet Valve User Manual for One-Piece Toilets

SIAMP 10 0026 84

SIAMP MSE LTV Outlet Valve User Manual

Model: 10 0026 84

1. INTRODUCTION

This manual provides detailed instructions for the installation, operation, and maintenance of your SIAMP MSE LTV Outlet Valve. This valve is designed for one-piece toilets, offering efficient water-saving features and reliable performance. Please read this manual thoroughly before installation and use to ensure proper function and longevity of the product.

2. PRODUCT OVERVIEW

The SIAMP MSE LTV Outlet Valve is a crucial component for your toilet cistern, engineered for durability and water efficiency. Key features include:

- **Flexible Rotating Discharge Press Sole:** Ensures effective water release.
- **Adjustable Overflow Pipe:** Allows for customization to fit various cistern heights.
- **Two Water-Saving Flushing Modes:** Provides options for reduced water consumption.
- **Strong Discharge Flow:** Ensures efficient flushing.
- **Adjustable Water Volume:** Both small and large flush volumes can be precisely set.
- **One-Way Valve Design:** Prevents backflow of contaminated water into the potable supply.
- **Discharge Force:** Less than 20N for smooth operation.



Figure 2.1: The SIAMP MSE LTV Outlet Valve, showing its main body and adjustable components. This valve is designed for efficient water discharge in toilet cisterns.

3. SETUP AND INSTALLATION

Installation of the SIAMP MSE LTV Outlet Valve typically involves replacing an existing valve or installing it in a new one-piece toilet cistern. While specific steps may vary based on your toilet model, the general process involves:

1. **Preparation:** Turn off the water supply to the toilet and flush to empty the cistern. Remove any remaining water with a sponge.
2. **Remove Old Valve (if applicable):** Disconnect the water supply line and unscrew the mounting nut from beneath the cistern to remove the old outlet valve.
3. **Install New Valve:** Insert the SIAMP MSE LTV Outlet Valve into the cistern's outlet hole. Ensure the rubber gasket is properly seated to prevent leaks. Secure it from beneath the cistern with the provided mounting nut, tightening it firmly but without overtightening.
4. **Adjust Overflow Pipe:** Adjust the height of the overflow pipe to be approximately 1 inch below the cistern's overflow level.
5. **Connect Water Supply:** Reconnect the water supply line to the fill valve (not the outlet valve itself, but the overall cistern system).
6. **Test for Leaks:** Turn on the water supply slowly and check for any leaks around the valve and connections.

SIAMP

Monaco



Figure 3.1: An illustration showing the SIAMP outlet valve and fill valve installed within a one-piece toilet cistern. This view demonstrates the internal components and their placement.

4. OPERATING INSTRUCTIONS

The SIAMP MSE LTV Outlet Valve is designed for straightforward operation with water-saving capabilities:

- **Flushing:** Press the flush button or lever on your toilet. The valve will open to release water from the cistern into the toilet bowl.
- **Water-Saving Modes:** This valve supports two water-saving flushing modes. Depending on your toilet's flush mechanism, a short press may activate a reduced flush (small amount of water), while a longer press or full depression activates a full flush (large amount of water). Refer to your toilet's specific flush button design for exact operation.
- **Adjusting Water Volume:** The valve allows for adjustment of both small and large flush volumes. This is typically done via a mechanism on the valve itself, which can be accessed by removing the cistern lid. Consult the technical diagram or contact support for precise adjustment instructions if needed.

5. MAINTENANCE

Regular maintenance ensures optimal performance and extends the lifespan of your SIAMP Outlet Valve:

- **Cleaning:** Periodically inspect the valve for mineral deposits or debris. Turn off the water supply, empty the cistern, and gently clean the valve components with a soft brush and mild, non-abrasive cleaner.
- **Seal Inspection:** Check the rubber seals and gaskets for wear, cracks, or hardening. Worn seals can lead to leaks and should be replaced promptly.
- **Overflow Pipe:** Ensure the overflow pipe remains clear and unobstructed.
- **Avoid Harsh Chemicals:** Do not use harsh chemical cleaners in the cistern, as these can damage the valve's plastic and rubber components.

6. TROUBLESHOOTING

If you encounter issues with your SIAMP MSE LTV Outlet Valve, refer to the following common problems and solutions:

Problem	Possible Cause	Solution
Toilet runs continuously / Leaking	Worn or dirty flapper/seal, improper overflow pipe height, debris under the seal.	Clean or replace the flapper/seal. Adjust overflow pipe. Remove any debris.
Weak or incomplete flush	Insufficient water level, obstruction in the outlet, incorrect flush volume setting.	Check fill valve for proper water level. Clear any obstructions. Adjust flush volume settings.
No flush when activated	Mechanism disconnected, severe obstruction.	Inspect the connection between the flush button/lever and the valve. Check for major obstructions.

If the problem persists after attempting these solutions, it is recommended to consult a qualified plumber or contact SIAMP customer support.

7. SPECIFICATIONS

Detailed specifications for the SIAMP MSE LTV Outlet Valve (Model: 10 0026 84):

- **Material:** Acrylonitrile Butadiene Styrene (ABS)
- **Exterior Finish:** Matt
- **Inlet Connection Type:** Adjustable Telescopic (Note: This specification typically refers to the fill valve, which works in conjunction with the outlet valve in a cistern system.)
- **Outlet Connection Type:** Flange
- **Number of Ports:** 1
- **Outlet Connection Size:** 50 Millimeters
- **Item Dimensions (L x W x H):** 25.9 x 12.2 x 25.9 Centimeters
- **Item Weight:** 500 grams
- **Specification Met:** TUV SOD
- **Manufacturer:** SIAMP INDIA PRIVATE LIMITED

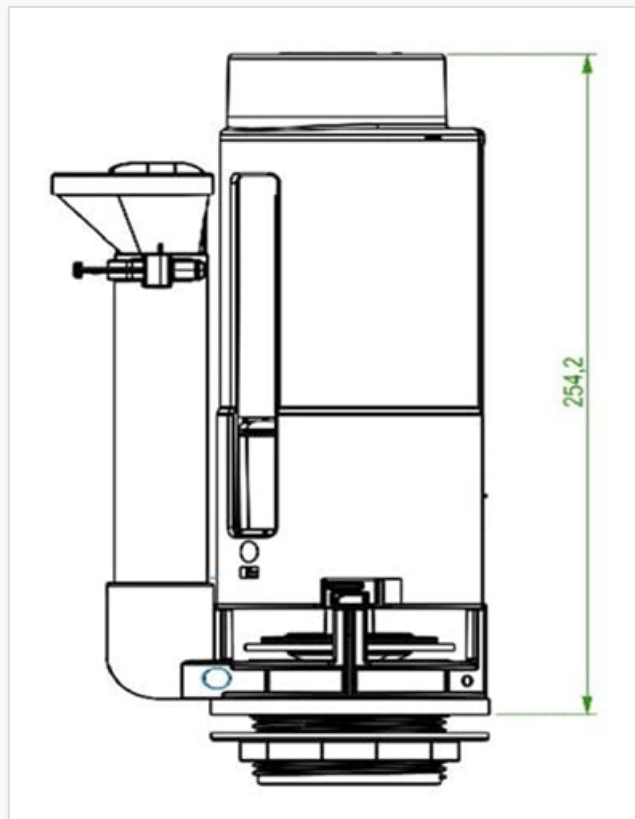


Figure 7.1: Technical drawing illustrating the dimensions of the SIAMP MSE LTV Outlet Valve, with a height of 254.2 units (likely millimeters).

8. WARRANTY AND SUPPORT

For warranty information, technical support, or to purchase replacement parts, please contact SIAMP customer service. Keep your purchase receipt as proof of purchase for warranty claims.

For further assistance, you may visit the official SIAMP website or contact your local distributor. [Visit SIAMP Official Website](#)