



[Manuals.plus](#) /

> [Ravinte](#) /

> Ravinte Stainless Steel Cabinet Pulls (12-3/5 Inch Hole Center) - Instruction Manual

Ravinte 12-3/5 In Hole Center

Ravinte Stainless Steel Cabinet Pulls - Instruction Manual

Model: 12-3/5 Inch Hole Center

[Overview](#)

[Package Contents](#)
[Maintenance](#)

[Specifications](#)
[Troubleshooting](#)

[Safety Information](#)

[Installation](#)

[Care &](#)

[Warranty & Support](#)

1. OVERVIEW

This manual provides instructions for the installation, care, and maintenance of your Ravinte Stainless Steel Cabinet Pulls. These pulls are designed for use on various cabinet types, including kitchen cabinets, dresser drawers, and bathroom vanities, offering a modern square design and a brushed nickel finish.



Image: Two Ravinte brushed nickel cabinet pulls, showcasing their square design and finish.

2. PACKAGE CONTENTS

Verify that all items are present in your package:

- Ravinte Stainless Steel Cabinet Pulls (Quantity: 20)
- Screws (2 pcs * 1 inch length per pull)
- Detachable Screws (2 pcs * 1.75 inch length per pull)
- Screwdriver (1)

3. SPECIFICATIONS

Feature	Detail
Material	Stainless Steel
Finish	Brushed Nickel

Feature	Detail
Screw-hole Center	12-3/5 inches (320mm)
Overall Length	13 inches (332mm)
Width	1/2 inch (12mm)
Height	1-2/5 inches (35mm)
Item Weight	5.21 pounds (for 20 pulls)
Included Components	Screws, Screwdriver

Measurement

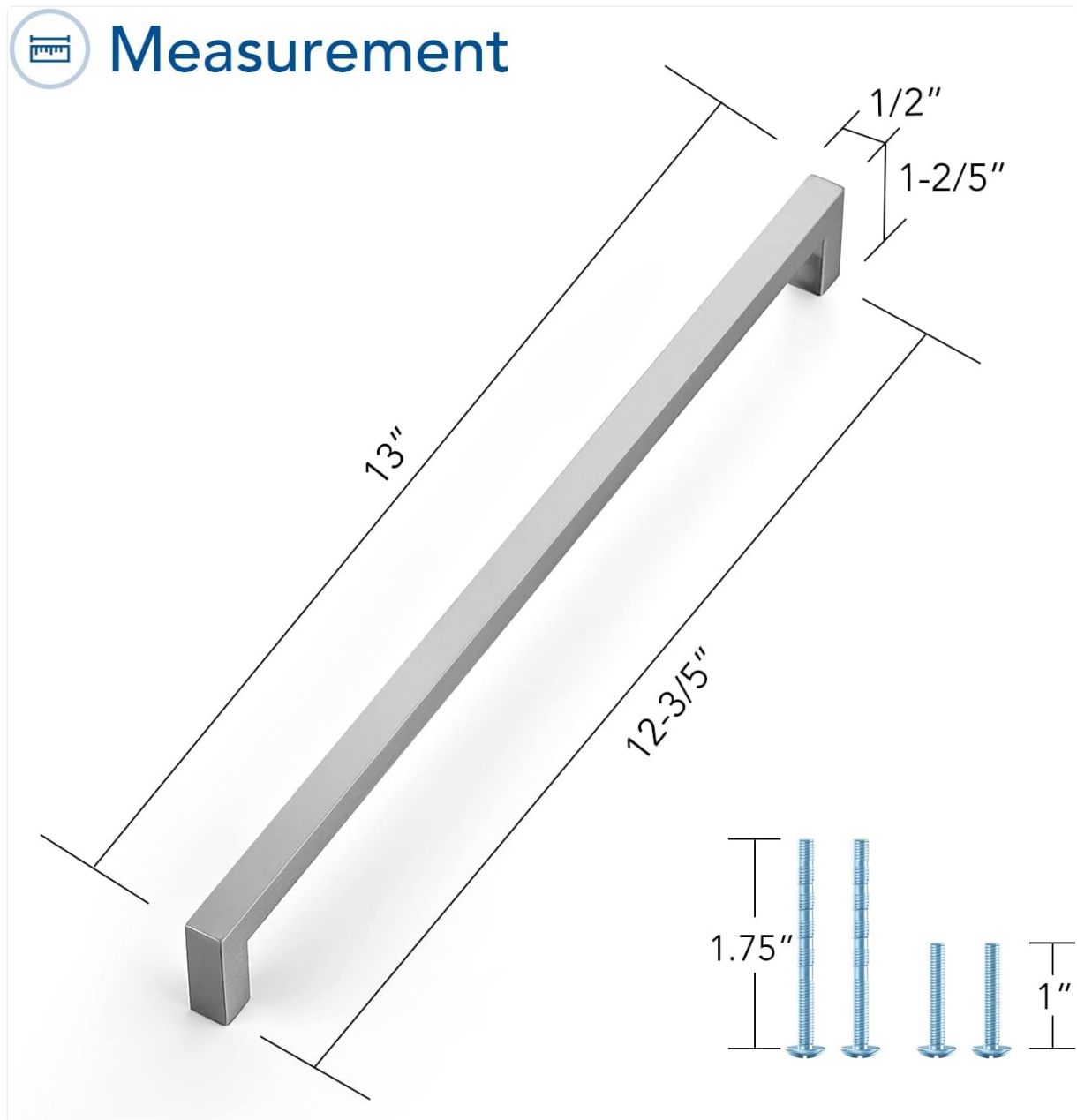


Image: Detailed measurements of the cabinet pull and included screws.

4. SAFETY INFORMATION

Please read and understand all instructions before installation. Keep small parts, such as screws, out of

reach of children. Ensure proper tools are used to avoid injury or damage to the product or furniture. The stainless steel composition is safe for household use.

5. INSTALLATION

The Ravinte cabinet pulls are designed for easy installation. Follow these steps:

1. **Measure Hole Centers:** Before drilling, accurately measure the distance between the existing screw holes on your cabinet doors or drawers. If installing on new cabinets, mark the desired locations for the screw holes. The pulls require a 12-3/5 inch (320mm) hole center.
2. **Drill Holes:** Using an appropriate drill bit size for your screws and cabinet material, carefully drill pilot holes at the marked locations. Ensure the holes are straight and clean.
3. **Select Screws:** Choose the appropriate screw length for your cabinet thickness. The package includes 1-inch screws and 1.75-inch detachable screws. For thicker cabinet doors or drawers, the longer detachable screws may be necessary.
4. **Attach Pulls:** Align the cabinet pull with the drilled holes. Insert the screws from the inside of the cabinet door or drawer and thread them into the pull.
5. **Tighten Screws:** Use the provided screwdriver to tighten the screws until the pull is securely fastened. Do not overtighten, as this can damage the cabinet material.



Image: Example of Ravinte cabinet pulls installed on kitchen cabinetry.



Image: Example of Ravinte cabinet pulls installed on a dresser.

6. CARE & MAINTENANCE

To maintain the appearance and longevity of your Ravinte Stainless Steel Cabinet Pulls, follow these guidelines:

- **Regular Cleaning:** Wipe the pulls regularly with a soft, damp cloth to remove dust and fingerprints.
- **Avoid Harsh Cleaners:** Do not use abrasive cleaners, scouring pads, or chemical solvents, as these can damage the brushed nickel finish.
- **Drying:** After cleaning, dry the pulls thoroughly with a clean, soft cloth to prevent water spots.
- **Smudge Prevention:** While the pulls are durable, they are not entirely smudge-proof. Regular cleaning will help minimize visible smudges and fingerprints.

7. TROUBLESHOOTING

Problem	Solution
---------	----------

Problem	Solution
Pull feels loose	Gently tighten the screws from the inside of the cabinet or drawer using the provided screwdriver. Do not overtighten.
Visible smudges/fingerprints	Wipe the pulls with a soft, damp cloth and dry immediately. Regular cleaning helps maintain a clean appearance.
Screws are too short/long	Ensure you are using the correct screw length for your cabinet thickness. The package includes both 1-inch and 1.75-inch detachable screws. If neither fits, you may need to acquire screws of an appropriate length for your specific cabinet material and thickness.

8. WARRANTY & SUPPORT

Ravinte products are manufactured with quality and durability in mind. For specific warranty information or technical support, please refer to the product packaging or contact Ravinte customer service directly. Keep your purchase receipt for warranty claims.