

Z Line Kitchen and Bath KB4STZ-30-CB

ZLINE 30-inch Autograph Edition Stainless Steel Range Hood User Manual

Model: KB4STZ-30-CB

1. INTRODUCTION

This manual provides essential instructions for the safe installation, operation, and maintenance of your ZLINE 30-inch Autograph Edition Stainless Steel Range Hood. Please read this manual thoroughly before installation and use, and retain it for future reference.

The ZLINE Autograph Edition Range Hood combines professional functionality with a sophisticated design, featuring a stainless steel shell and Champagne Bronze accents. It is designed to efficiently remove smoke, grease, and odors from your cooking area.

2. SAFETY INFORMATION

WARNING: To reduce the risk of fire, electric shock, or injury, observe the following:

- Installation work and electrical wiring must be done by qualified person(s) in accordance with all applicable codes and standards, including fire-rated construction.
- Sufficient air is needed for proper combustion and exhausting of gases through the flue (chimney) of fuel-burning equipment to prevent back-drafting.
- When cutting or drilling into wall or ceiling, do not damage electrical wiring and other hidden utilities.
- Ducted fans must always be vented to the outdoors.
- The Champagne Bronze handle is for cosmetic purposes only and should not be used for hanging items. Applying weight to the handle may cause damage to the unit or personal injury.

3. PRODUCT COMPONENTS

Your ZLINE Range Hood includes the following main components:

- Range Hood Unit (Stainless Steel with Champagne Bronze Accents)
- Baffle Filters (Stainless Steel)

- LED Lighting
- Control Panel (Push Button)
- Ductwork Connection Point



Figure 3.1: Front view of the ZLINE 30-inch Autograph Edition Range Hood, showcasing the stainless steel finish and Champagne Bronze handle.

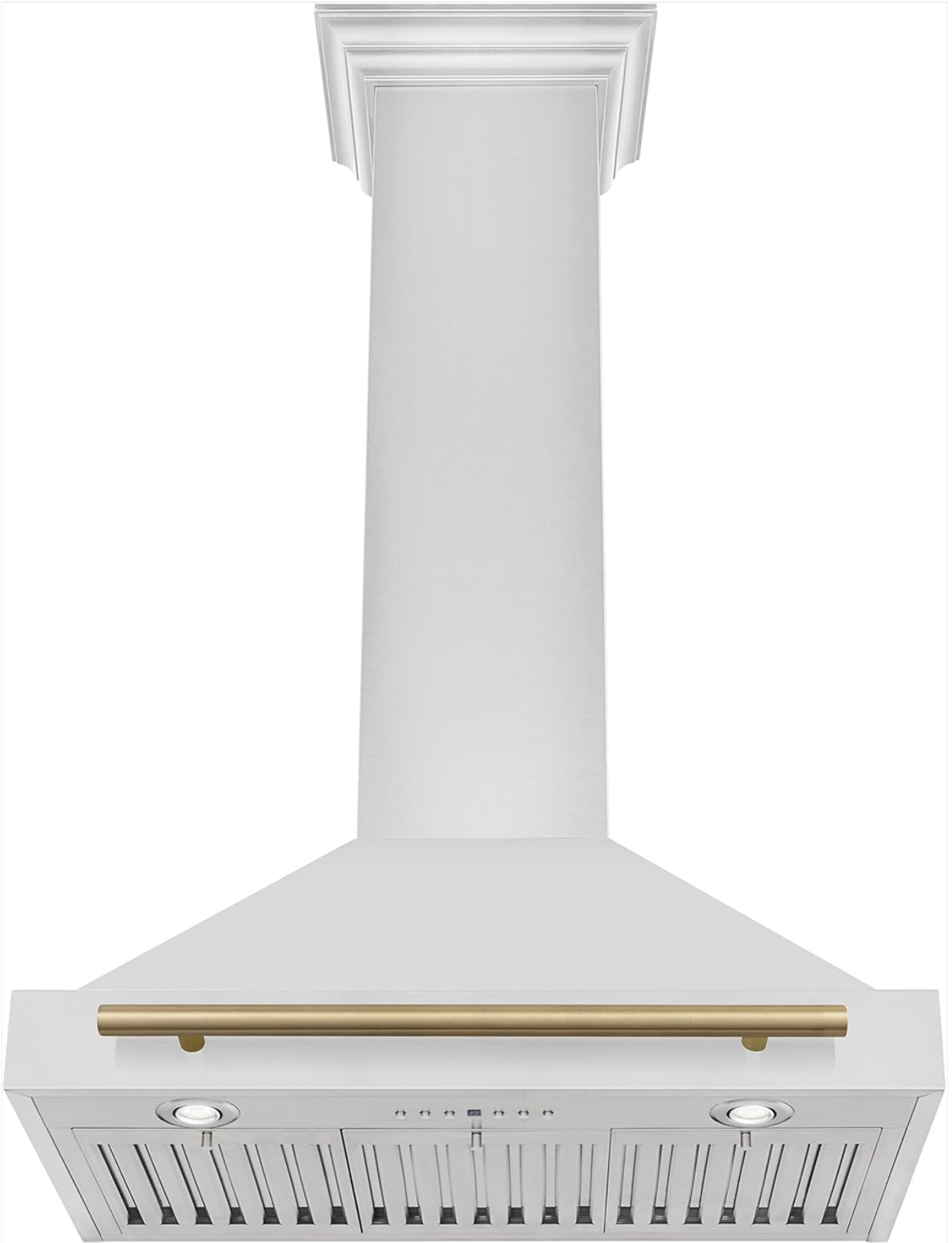


Figure 3.2: Underside view of the range hood, illustrating the removable stainless steel baffle filters and integrated LED lighting.

4. SETUP AND INSTALLATION

The ZLINE Autograph Edition Range Hood is designed for wall-mount installation and external venting. Minimal

assembly is required upon arrival as the product ships in multiple boxes.

4.1 Pre-Installation Checks

- Verify all components are present and undamaged.
- Ensure the installation area meets local building codes and has adequate structural support for the unit.
- Confirm electrical supply matches the hood's requirements.

4.2 Ductwork Requirements

This range hood utilizes a fixed vent system with ductwork that connects to the top of the unit for external venting. It is designed to fit standard circular ductwork. Ensure the duct run is as short and straight as possible for optimal performance.

4.3 Mounting

The unit is a wall-mount type. Refer to the dimensional drawing for precise measurements and clearances required for installation.

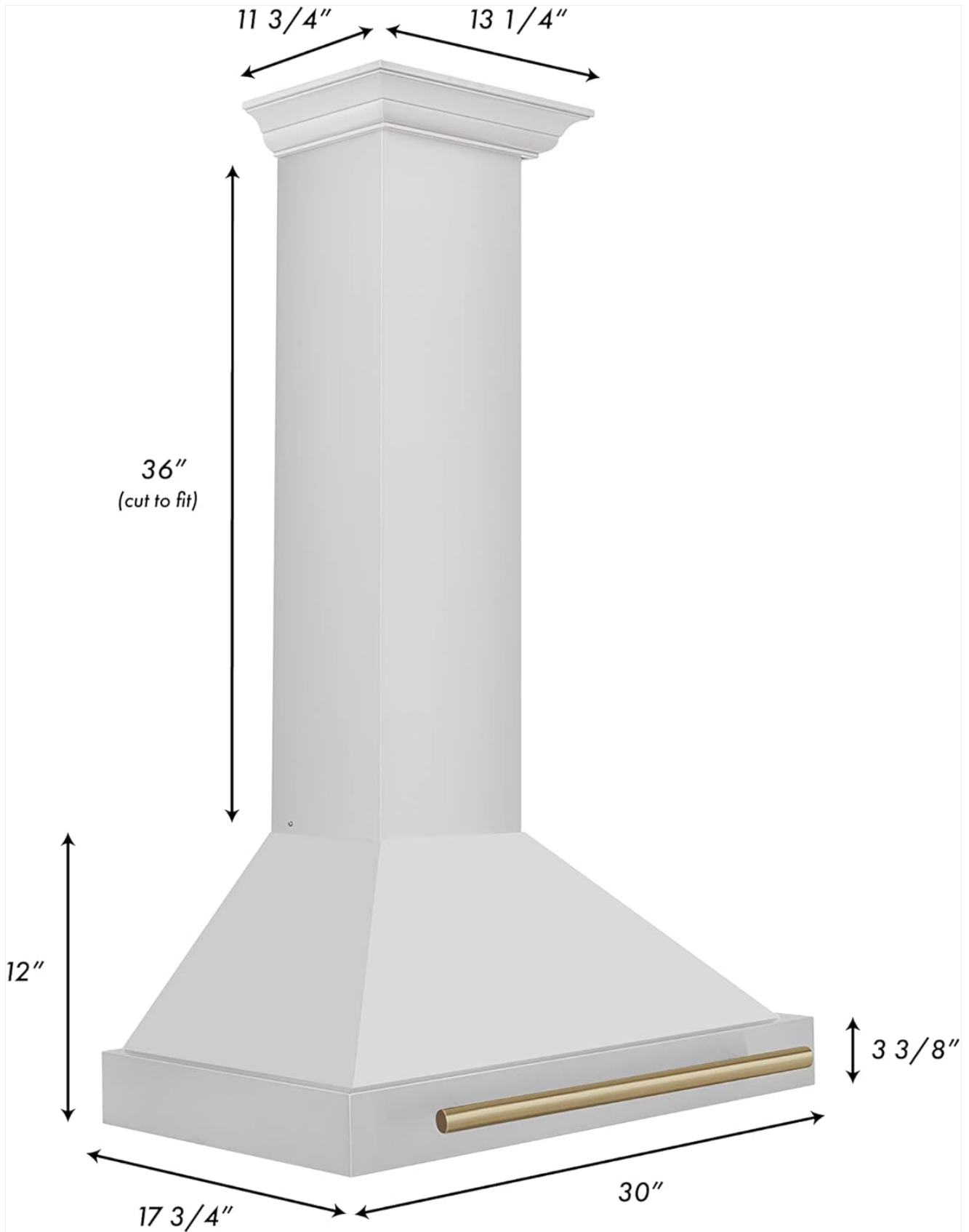


Figure 4.1: Dimensional drawing showing the range hood's measurements: 30 inches wide, 17 3/4 inches deep, and a chimney height of 36 inches (cut to fit).

5. OPERATING INSTRUCTIONS

The ZLINE Range Hood features intuitive push-button controls for fan speed and lighting.

5.1 Fan Operation

The fan offers four speed settings to accommodate various cooking needs:

- **Speed 1 (120 CFM):** For light cooking, simmering, or general air circulation.
- **Speed 2 (240 CFM):** For moderate cooking.
- **Speed 3 (320 CFM):** For heavier cooking, frying, or when more ventilation is required.
- **Speed 4 (400 CFM):** The highest setting for maximum air flow, ideal for high-heat cooking or when significant smoke and odors are present.

Press the corresponding speed button to select your desired fan level. Press the power button to turn the fan off.

5.2 Lighting Control

The integrated LED lighting illuminates your cooktop. Press the light button to turn the lights on or off. The LED lights provide clear visibility for your cooking surface.

6. MAINTENANCE AND CLEANING

Regular maintenance ensures optimal performance and longevity of your range hood.

6.1 Baffle Filter Cleaning

The stainless steel baffle filters are dishwasher-safe for easy cleaning. It is recommended to clean the filters regularly, depending on cooking frequency, to maintain efficient airflow and grease capture.

1. Turn off the range hood and disconnect power before removing filters.
2. Carefully remove the baffle filters from the hood.
3. Place filters in a dishwasher or wash by hand with warm, soapy water.
4. Ensure filters are completely dry before reinstalling.

6.2 Exterior Cleaning

The range hood is constructed from brushed 430 grade stainless steel. Clean the exterior surfaces with a soft cloth and a non-abrasive stainless steel cleaner. Always wipe in the direction of the grain to prevent scratching. Avoid using harsh chemicals or abrasive pads.

7. TROUBLESHOOTING

If you encounter issues with your range hood, refer to the following common solutions:

- **No Power:** Check the circuit breaker and ensure the unit is properly plugged in.
- **Low Airflow:** Verify that baffle filters are clean and properly installed. Check for obstructions in the ductwork. Ensure the fan speed is set appropriately.
- **Excessive Noise:** Ensure all mounting screws are tight. Check for loose components or obstructions in the fan blades.
- **Lights Not Working:** Check if the light button has been pressed. If individual lights are out, they may require replacement (consult customer support).

For issues not resolved by these steps, please contact ZLINE Customer Support.

8. SPECIFICATIONS

Feature	Specification
---------	---------------

Feature	Specification
Model Number	KB4STZ-30-CB
Brand	Z Line Kitchen and Bath
Material	Brushed 430 grade stainless steel
Mounting Type	Wall Mount
Controls Type	Push Button
Number of Speeds	4
Light Source Type	LED
Filter Type	Baffle
Ventilation Type	Ducted/Vented
Air Flow Capacity	400 Cubic Feet Per Minute (CFM)
UPC	195948038892
Dimensions (W x D x H)	30" x 17 3/4" x 36" (chimney height cut to fit)

9. WARRANTY AND CUSTOMER SUPPORT

For warranty information or technical assistance, please contact ZLINE Customer Support. Keep your purchase receipt and model number (KB4STZ-30-CB) readily available when contacting support.

You can find more information and contact details on the official ZLINE Kitchen and Bath website:

www.zlinekitchen.com