

SOFTSEA 6783

SOFTSEA Black Wood Nightstand Model 6783 Instruction Manual

Model: 6783 | Brand: SOFTSEA

1. PRODUCT OVERVIEW

This manual provides instructions for the SOFTSEA Black Wood Nightstand, Model 6783. This nightstand features three storage drawers and is designed for bedroom use, offering both functionality and a classic aesthetic. Crafted from solid and manufactured wood, it is a versatile piece for your home.



Image 1.1: Front view of the SOFTSEA Black Wood Nightstand, Model 6783.

SIZE: inch

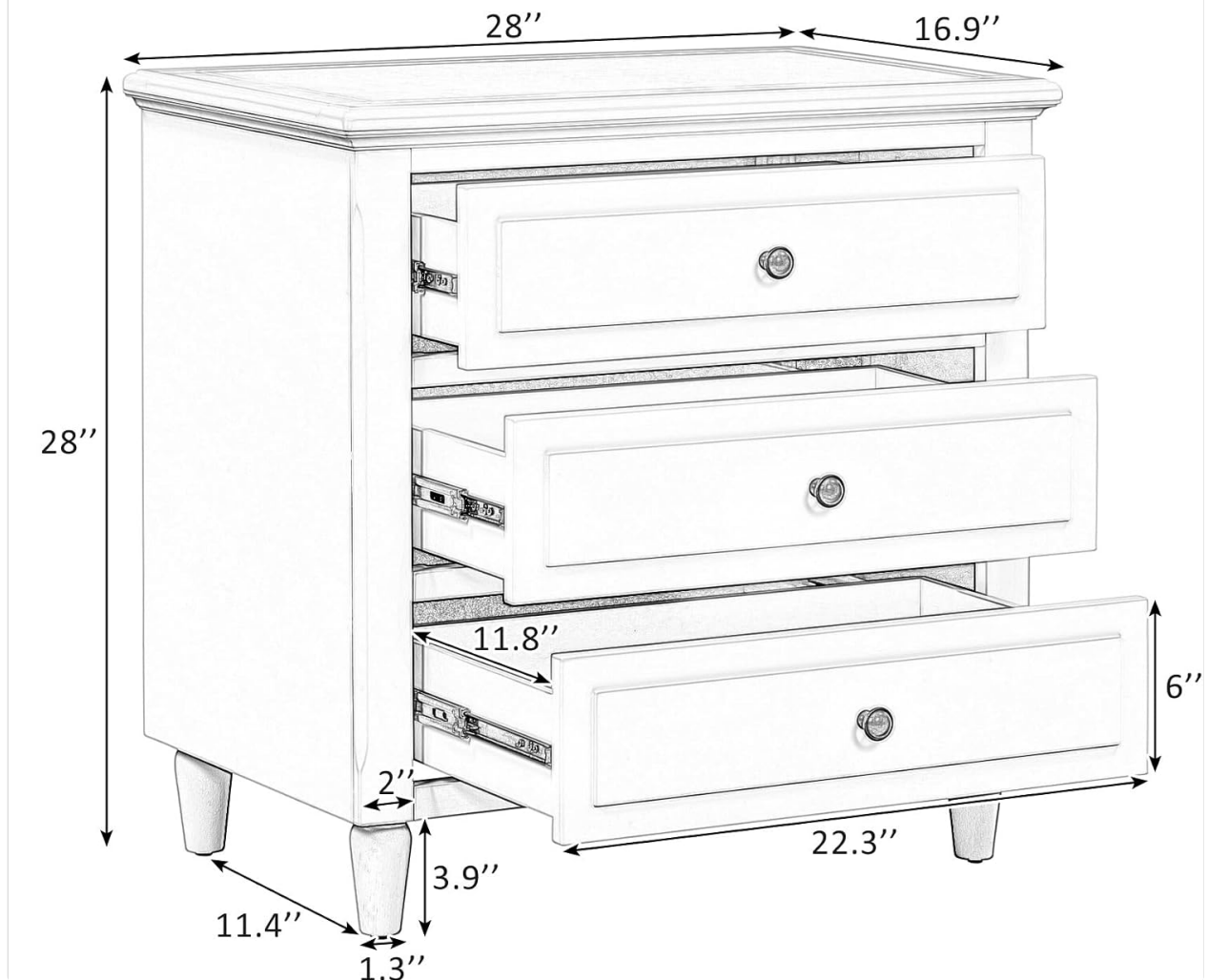


Image 1.2: The nightstand integrated into a bedroom environment, showcasing its design and utility.

2. SAFETY INFORMATION

Please read and follow these safety guidelines to ensure safe use and longevity of your nightstand.

- **Maximum Weight Capacity:** The top surface of the nightstand has a maximum weight capacity of **150 lbs.**
- **Drawer Weight Capacity:** Each drawer has a maximum weight capacity of **30 lbs.** Do not exceed these limits.
- **Stable Placement:** Always place the nightstand on a flat, level, and stable surface to prevent tipping.
- **Child Safety:** Do not allow children to climb on or play with the nightstand or its drawers.
- **Environmental Factors:** Keep the nightstand away from excessive moisture, direct sunlight, or heat sources to prevent damage to the wood and finish.

3. SETUP AND ASSEMBLY

The SOFTSEA Black Wood Nightstand Model 6783 arrives largely pre-assembled. Minimal assembly is required, primarily involving the attachment of drawer knobs and potentially the legs.

3.1 Unpacking

- Carefully remove all packaging materials from the nightstand.
- Inspect the nightstand for any signs of damage during transit. If damage is found, contact customer support immediately.

3.2 Attaching Drawer Knobs

- The drawer knobs may be installed on the inside of the drawer fronts for shipping protection.
- Unscrew each knob from the inside of the drawer.
- Re-attach each knob to the outside of the corresponding drawer front, ensuring it is tightened securely.

3.3 Attaching Legs (If Applicable)

While the nightstand is largely assembled, some units may require the legs to be attached.

- Carefully turn the nightstand upside down on a soft, protective surface to avoid scratching the finish.
- Locate the designated holes at the bottom corners of the nightstand for leg attachment.
- Screw each leg firmly into its respective hole. Ensure all legs are securely attached and the nightstand is stable before turning it upright.



Image 3.1: Detail of the nightstand's legs, which may require attachment.

4. OPERATION

4.1 Using the Drawers

The nightstand is equipped with three drawers designed for smooth operation using roller glides.

- To open a drawer, gently pull the knob on the drawer front.
- To close a drawer, push it back until it is fully seated within the nightstand frame.
- Avoid forcing drawers open or closed. If a drawer feels stiff, refer to the Troubleshooting section.
- Do not overload drawers beyond their 30 lb capacity to ensure smooth operation and prevent damage.



Image 4.1: The nightstand with one drawer partially open, demonstrating access to storage.

5. MAINTENANCE AND CARE

5.1 Cleaning

- To clean the nightstand, wipe surfaces with a soft, dry cloth.
- Avoid using harsh chemicals, abrasive cleaners, or polishes, as these can damage the finish.
- For spills, blot immediately with a clean, dry cloth.

5.2 General Care

- Periodically check all connections and hardware (e.g., drawer knobs, leg attachments) to ensure they

remain tight. Tighten if necessary.

- Avoid placing hot items directly on the nightstand surface. Use coasters or protective pads.
- Protect the surface from sharp objects that could cause scratches.

6. TROUBLESHOOTING

6.1 Common Issues

- **Chemical Odor:** New furniture may emit a slight odor. To dissipate this, place the nightstand in a well-ventilated area for several days. Ensure good air circulation in the room.
- **Sticking or Difficult Drawers:**
 - Check if the drawer is overloaded. Remove some items to see if operation improves.
 - Ensure the drawer is properly aligned on its roller glides. Gently push the drawer in and out to reseal it.
 - Inspect the roller glides for any obstructions, debris, or damage. Clean the glides if necessary. If a glide appears damaged, contact customer support for assistance.

7. SPECIFICATIONS

Feature	Detail
Brand	SOFTSEA
Model	6783
Overall Dimensions (D x W x H)	28" x 16.9" x 28"
Frame Material	Solid + Manufactured Wood
Top Wood Species	Pine
Number of Drawers	3
Drawer Glide Mechanism	Roller Glides
Total Weight Capacity	150 lbs
Each Drawer Weight Capacity	30 lbs
Product Weight	45.1 lbs
Country of Origin	Viet Nam



Image 7.1: Detailed dimensions of the SOFTSEA Black Wood Nightstand.

8. WARRANTY AND SUPPORT

For any questions, missing parts, or concerns regarding your SOFTSEA Black Wood Nightstand Model 6783, please contact SOFTSEA customer support. Refer to your purchase documentation for specific warranty details and contact information.

You can often find support contact information on the original product packaging or through the retailer where

the item was purchased.