



Manuals.plus /

› LG /

› LG WB22EGB TV Wall Mount User Manual

## LG WB22EGB

# LG WB22EGB TV Wall Mount User Manual

Model: WB22EGB

## INTRODUCTION

---

This manual provides comprehensive instructions for the safe and proper installation, operation, and maintenance of your LG WB22EGB TV Wall Mount. Designed for a slim profile, this fixed wall mount securely holds your television, providing a clean and modern aesthetic. Please read this manual thoroughly before beginning installation to ensure optimal performance and safety.

## SAFETY INFORMATION

---

Always adhere to the following safety precautions:

- Ensure the wall structure can support the combined weight of the mount and your television. Consult a professional if unsure.
- Use appropriate tools and wear safety gear, including eye protection.
- Do not overtighten screws, as this may damage the mount or the wall.
- Keep small parts away from children.
- Verify all connections are secure before releasing the television.

## PACKAGE CONTENTS

---

Verify that all components are present before starting installation:

- Wall Mount Bracket (Main Unit)
- TV Attachment Brackets (Left and Right)
- Mounting Hardware (Screws, Anchors, Washers)
- Instruction Manual (This document)

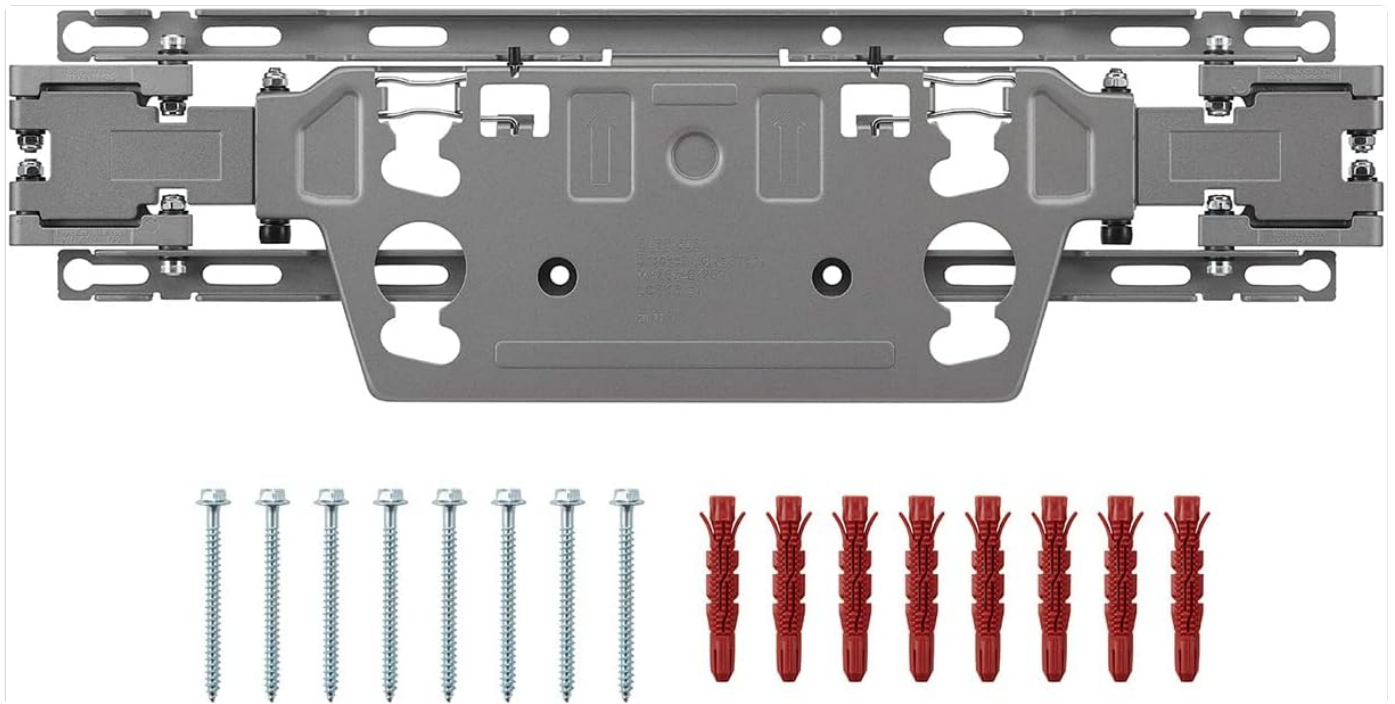


Image: All components of the LG WB22EGB TV Wall Mount, including the main wall plate, two TV attachment rails, and various screws and wall anchors for installation.

## SETUP AND INSTALLATION

---

Follow these steps carefully for proper installation:

### 1. Prepare the Wall:

Locate suitable mounting points on your wall. For wooden studs, use a stud finder. For concrete or brick walls, use the provided wall anchors. Ensure the mounting location is free of electrical wires or plumbing.

### 2. Attach TV Brackets to TV:

Carefully place your TV face down on a soft, clean surface. Attach the two TV attachment brackets to the VESA mounting holes on the back of your television using the appropriate screws and spacers. Ensure they are securely fastened and level.

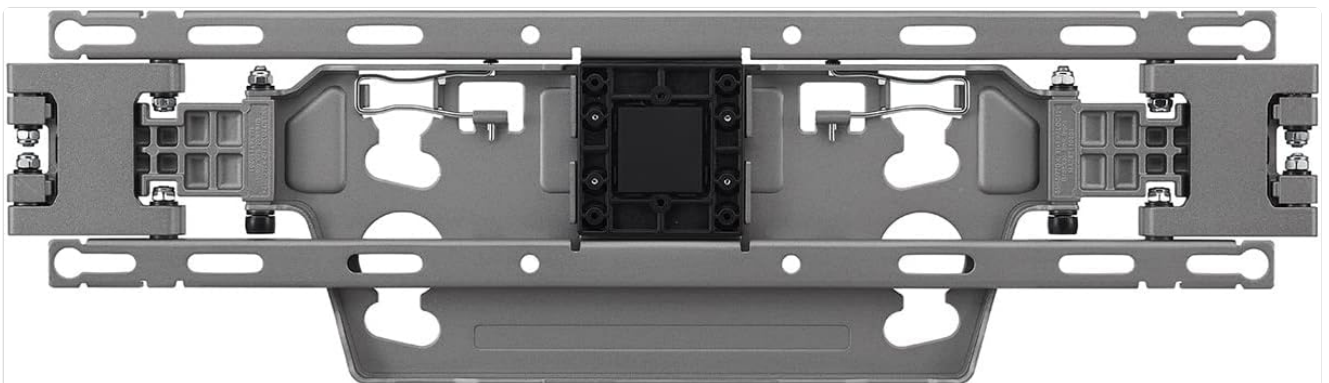


Image: The LG WB22EGB TV Wall Mount with the TV attachment brackets connected to the main wall plate, illustrating how the TV would connect to the mount.

### 3. Mount Wall Plate to Wall:

Hold the main wall mount bracket against the wall at the desired height. Use a level to ensure it is perfectly horizontal. Mark the drilling points through the holes on the bracket. Drill pilot holes according to the type of wall and insert wall anchors if necessary. Secure the wall mount bracket to the wall using the provided screws.

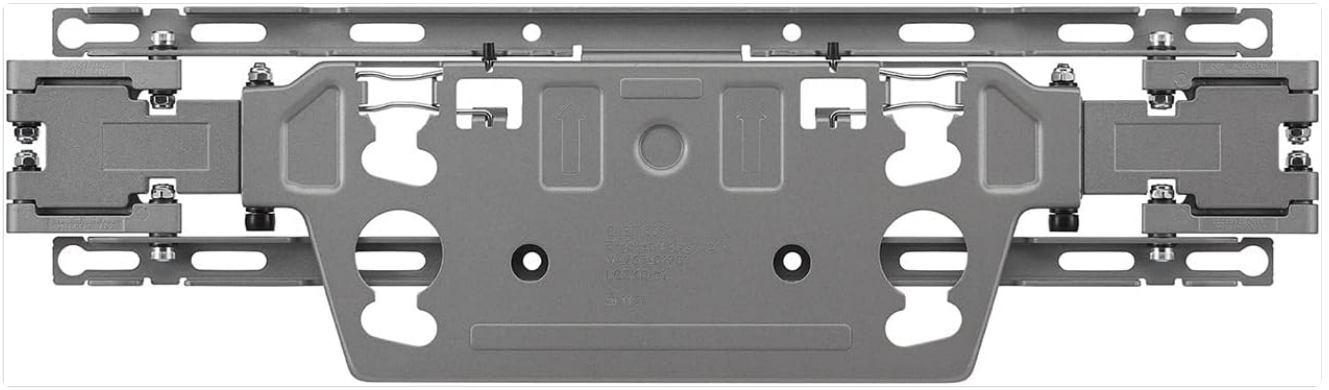


Image: The main wall plate of the LG WB22EGB TV Wall Mount, viewed from the front, highlighting its slim design and the various mounting points for wall attachment.

#### 4. Hang TV on Wall Mount:

With assistance, carefully lift the television and align the TV attachment brackets with the corresponding slots on the wall mount bracket. Gently lower the TV until it hooks securely onto the wall mount. Listen for a click or engage any locking mechanisms to ensure the TV is safely secured.

#### 5. Final Adjustments:

Ensure the TV is level and centered. This fixed mount does not allow for tilt or swivel adjustments, providing a flush, slim profile against the wall.

## OPERATING (USAGE CONSIDERATIONS)

---

The LG WB22EGB is a fixed wall mount designed for a permanent, slim installation. Once installed, the television will sit very close to the wall, offering a minimalist appearance. There are no moving parts or adjustments for tilt or swivel. Ensure all cables are connected before hanging the TV, as access behind the TV will be limited.



Image: A side view of the LG WB22EGB TV Wall Mount, showcasing its extremely slim profile, which allows the TV to sit very close to the wall.

## MAINTENANCE

---

The LG WB22EGB TV Wall Mount requires minimal maintenance:

- Periodically check all screws and connections to ensure they remain tight and secure.
- Clean the mount with a soft, dry cloth. Avoid abrasive cleaners or solvents.
- Do not hang anything from the mount other than the intended television.

## TROUBLESHOOTING

---

Problem	Possible Cause	Solution
TV is not level after installation.	Wall mount bracket was not level during installation.	Remove TV, loosen wall mount screws, adjust bracket with a level, re-tighten screws, and re-hang TV.
Mount feels loose on the wall.	Screws are not fully tightened or wall anchors are not secure.	Remove TV, re-tighten all wall mount screws. If using anchors, ensure they are properly seated. If the wall material is weak, consider reinforcing or choosing a different mounting location.
Cannot attach TV to the mount.	TV attachment brackets are not aligned or installed correctly.	Verify that the TV attachment brackets are correctly oriented and securely fastened to the TV's VESA holes. Ensure they align with the slots on the wall mount.

## SPECIFICATIONS

Feature	Detail
Brand	LG
Model Number	WB22EGB
Mounting Type	Wall Mount
Movement Type	Fixed
Material	Plastic
Product Dimensions	1.3 x 45.2 x 12.9 cm
Item Weight	1.2 kg
Maximum Compatible Size	22 Inches

## WARRANTY AND SUPPORT

For warranty information, please refer to the documentation included with your purchase or visit the official LG website. Protection plans may be available for purchase separately.

For technical support or further assistance, please visit the LG Store online:

LG Official Store on Amazon