

Manuals+

[Q & A](#) | [Deep Search](#) | [Upload](#)

Manuals.plus /

- › [TOSHIBA](#) /
- › TOSHIBA Air Purifier Model CAF-Z45US(W) User Manual

TOSHIBA CAF-Z45US(W)

TOSHIBA Air Purifier Model CAF-Z45US(W) User Manual

Model: CAF-Z45US(W) | Brand: TOSHIBA

[Introduction](#) [Safety Instructions](#) [Product Overview](#) [Setup](#) [Operation](#) [Maintenance](#)
[Troubleshooting](#) [Specifications](#) [Support](#)

1. INTRODUCTION

This manual provides essential information for the safe and effective operation, maintenance, and troubleshooting of your TOSHIBA Air Purifier Model CAF-Z45US(W). Please read this manual thoroughly before using the appliance and retain it for future reference.



Image 1.1: Front view of the TOSHIBA Air Purifier Model CAF-Z45US(W).

2. IMPORTANT SAFETY INSTRUCTIONS

To reduce the risk of fire, electric shock, or injury, always follow basic safety precautions when operating this appliance.

- Read all instructions before using the air purifier.
- Ensure the power supply voltage matches the rating label on the appliance.
- Do not operate the air purifier with a damaged cord or plug.
- Do not place the appliance near heat sources or in direct sunlight.
- Keep the appliance away from water or other liquids.
- Unplug the air purifier before cleaning or performing any maintenance.
- Do not insert objects into any openings.
- This appliance is for indoor use only.
- Supervise children to ensure they do not play with the appliance.

3. PRODUCT OVERVIEW

The TOSHIBA Air Purifier Model CAF-Z45US(W) is designed to improve indoor air quality in spaces up to 215 sq ft. It features advanced filtration and smart sensing technology.

3.1 Key Features

- **H13 True HEPA Filter:** Captures 99.97% of microscopic allergens and certain germs.
- **Air Quality Sensor:** Monitors real-time air quality with PureSense Technology.
- **4-Color LED Indicator:** Visually displays air quality status (Blue: Good, Green: Moderate, Orange: Unhealthy, Red: Very Unhealthy).
- **360° Tornado Airmax System:** Optimized aerodynamic design for efficient air circulation, refreshing air 5 times per hour in rooms up to 215 sq ft (CADR: 155 CFM / 262 m³/h).
- **Quiet Operation:** Noise level as low as 22dB in Sleep Mode.
- **Operating Modes:** Auto Mode, Sleep Mode, and 4-speed fan settings.
- **Timer Function:** Set operation for 2, 4, or 6 hours.
- **Digital Display & Touch Control:** Easy-to-read display and intuitive touch controls.
- **Filter Replacement Indicator:** Alerts when filter maintenance is required.

3.2 Components

Familiarize yourself with the main components of your air purifier:

H13 TURE HEPA FILTER ENSURES 99.9% CLEAN AIR



Image 3.1: Internal view showing the multi-layer filtration system, including the Pre-filter and H13 True HEPA filter.

TORNADO AIRMAX SYSTEM

Up to 20% efficient than traditional air purifiers

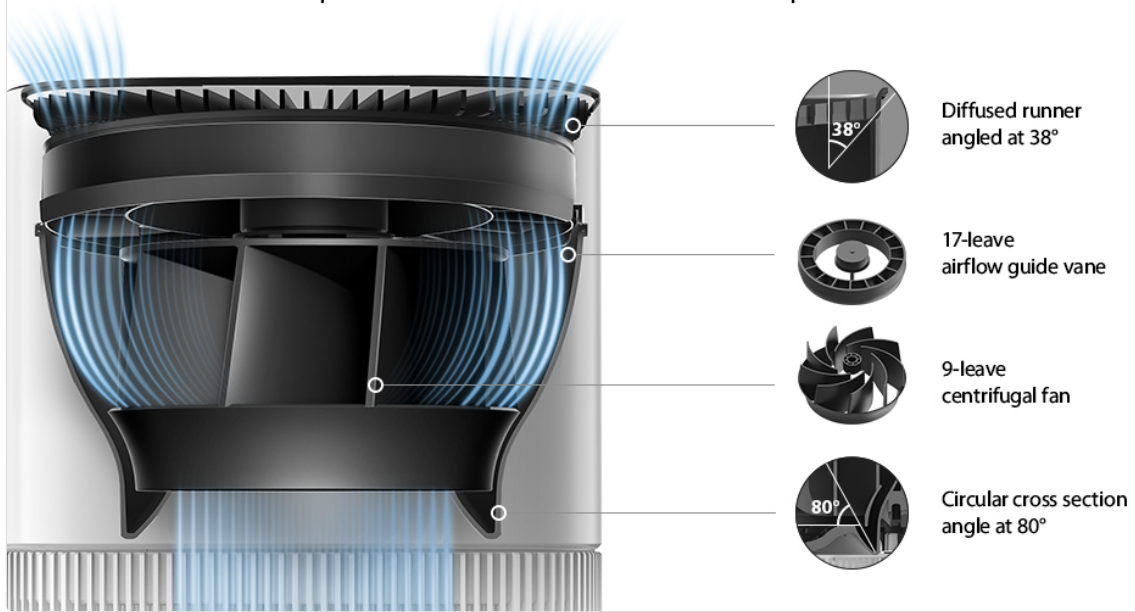


Image 3.2: Illustration of the air purification process, showing air being drawn in and purified air being released, effectively cleaning a room up to 215 sq ft.

EASY TO MONITOR & EXPERIENCE CONTINUOUS CLEAN AIR



DIGITAL
DISPLAY



VISIBLE AIR
QUALITY



TOUCH
CONTROL



Image 3.3: Close-up of the top control panel with digital display and touch buttons for various functions.

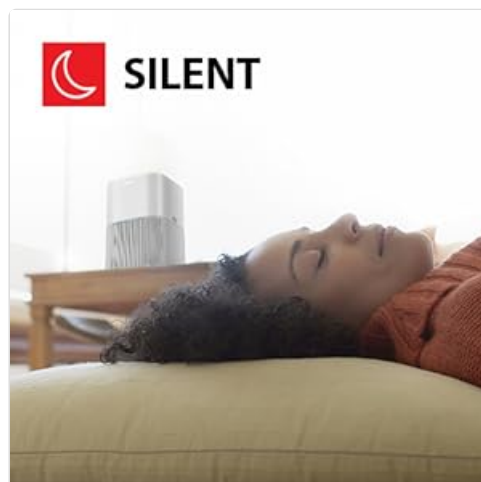


Image 3.4: Diagram illustrating the internal components of the Tornado Airmax System, including the diffused runner, airflow guide vane, and centrifugal fan, designed for efficient air circulation.

4. SETUP

Follow these steps to set up your air purifier for first-time use:


1. **Unpack the Unit:** Carefully remove the air purifier from its packaging.
2. **Remove Filter Packaging:**
 - Press the "PUSH" button on the side of the unit to release the upper component.
 - Lift the upper section to access the filter compartment.
 - Remove the filter basket.
 - Take out the filter and remove all plastic packaging.
 - Reinsert the filter into the filter basket, ensuring it is seated correctly.
 - Place the filter basket back into the unit.
 - Align the upper component and press down until it clicks into place.
3. **Position the Air Purifier:** Place the unit on a firm, level surface. Ensure there is adequate space (at least 6 inches) around all sides for optimal airflow.
4. **Connect to Power:** Plug the power cord into a standard electrical outlet.



Image 4.1: Illustration of how to press the "PUSH" button and lift the top section to access and remove the filter for unpacking or replacement.

5. OPERATING INSTRUCTIONS


5.1 Power On/Off

Press the **Power button**  on the control panel to turn the unit on or off.

5.2 Fan Speed Adjustment

Press the **Fan Speed button**  to cycle through 4 fan speed settings: Low, Medium, High, and Turbo.

5.3 Auto Mode

Press the **Auto Mode button**  to activate Auto Mode. In this mode, the air purifier's sensor detects the air quality and automatically adjusts the fan speed to optimize purification.

DETECTS POLLUTANTS & AUTO-ADJUSTS THE AIRFLOW



AUTO-MODE




4-COLOR AIR
QUALITY LIGHT



Image 5.1: The air purifier operating in Auto Mode, with the 4-color LED light indicating current air quality.

5.4 Sleep Mode

Press the **Sleep Mode button**  to enter Sleep Mode. In this mode, the fan operates at its lowest speed for ultra-quiet operation, and all indicator lights are dimmed or turned off to ensure a peaceful environment.


WHISPER QUIET: UNDISTURBED AND PEACEFUL ENVIRONMENT

22dB



Image 5.2: The air purifier operating quietly at 22dB, suitable for a peaceful environment like a bedroom or meditation space.

5.5 Timer Function

Press the **Timer button**  to set the operating time for 2, 4, or 6 hours. The unit will automatically turn off after the selected duration.

5.6 Air Quality Indicator

The front LED light changes color to indicate the current air quality:

- **Blue:** Good Air Quality
- **Green:** Moderate Air Quality

- **Orange:** Unhealthy Air Quality
- **Red:** Very Unhealthy Air Quality

VISIBLE & REAL-TIME AIR QUALITY WITH SMART SENSOR



Image 5.3: Four air purifiers demonstrating the different LED colors corresponding to air quality levels: Blue (Good), Green (Moderate), Orange (Unhealthy), and Red (Very Unhealthy).


6. MAINTENANCE

Regular maintenance ensures optimal performance and extends the lifespan of your air purifier.

6.1 Filter Replacement

The filter indicator light on the control panel will illuminate when it's time to replace the filter. Filter

lifespan varies based on usage and air quality.

1. Unplug the air purifier from the power outlet.
2. Press the "PUSH" button and lift the upper component.
3. Remove the old filter from the filter basket.
4. Dispose of the old filter responsibly.
5. Insert a new TOSHIBA CAF-Z45US(W) replacement filter into the filter basket, ensuring proper orientation.
6. Place the filter basket back into the unit.
7. Align and secure the upper component.
8. Plug in the air purifier.
9. **Reset Filter Indicator:** Press and hold the **Filter Reset button**  for 3 seconds until the indicator light turns off.

Note: Replacement filters for this specific model (CAF-Z45US(W)) may require direct inquiry with TOSHIBA customer support or authorized retailers, as availability can vary.

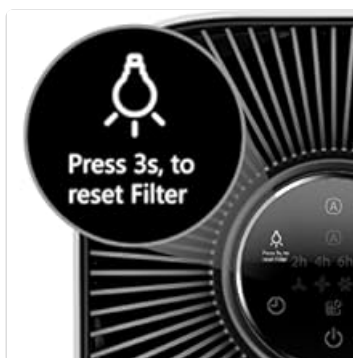


Image 6.1: Close-up of the control panel showing the filter reset instruction: "Press 3s, to reset Filter".

6.2 Filter Basket Cleaning

The filter basket is washable for convenience. Periodically clean it to maintain airflow.

1. Unplug the air purifier.
2. Remove the filter basket as described in Section 6.1.
3. Wash the filter basket with mild soap and water.
4. Ensure the filter basket is completely dry before reinserting it into the unit.



Image 6.2: Illustration of the washable filter basket with water splashing, indicating it can be cleaned.

6.3 Exterior Cleaning

Wipe the exterior of the air purifier with a soft, dry cloth. Do not use abrasive cleaners or solvents.

7. TROUBLESHOOTING

If you encounter issues with your air purifier, refer to the following table for common problems and solutions.

| Problem | Possible Cause | Solution |
|--|--|--|
| Unit does not turn on. | Not plugged in; power outage; filter not installed correctly. | Ensure power cord is securely plugged in; check household circuit breaker; verify filter is installed and plastic packaging removed. |
| Poor air purification. | Filter is dirty or clogged; unit placed in an obstructed area; room size exceeds capacity. | Replace the filter; ensure proper clearance around the unit; confirm room size is within 215 sq ft. |
| Unusual noise. | Filter not seated correctly; foreign object inside; unit on an uneven surface. | Check and re-seat the filter; inspect for any obstructions; place the unit on a stable, level surface. |
| Air quality indicator always blue/green. | Sensor may be obstructed or dirty; very clean air. | Gently clean the sensor area (refer to maintenance); if air is genuinely clean, this is normal operation. |

If the problem persists after attempting these solutions, please contact TOSHIBA customer support.

8. SPECIFICATIONS

| Feature | Detail |
|--------------------|--|
| Model Number | CAF-Z45US(W) |
| Brand | TOSHIBA |
| Product Dimensions | 9.4"D x 9.4"W x 14.9"H |
| Weight | 7.34 Pounds |
| Coverage Area | Up to 215 Square Feet |
| CADR | 155 CFM / 262 m ³ /h |
| Filter Type | H13 True HEPA Filter (with Pre-filter) |
| Noise Level | As low as 22dB |
| Timer Settings | 2H, 4H, 6H |
| Air Quality Sensor | Yes (PureSense Technology) |
| Color | White |
| Manufacturer | TOSHIBA |

TORNADO AIRMAX SYSTEM

Up to 20% efficient than traditional air purifiers

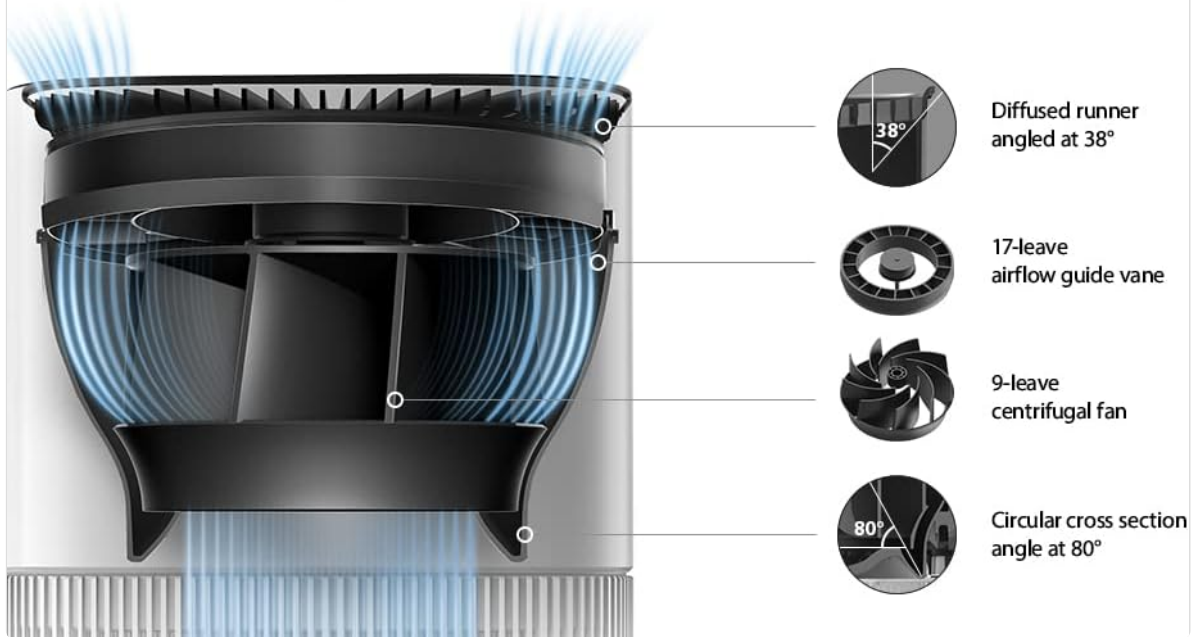


Image 8.1: Diagram showing the dimensions of the TOSHIBA Air Purifier: 9.4 inches (width), 9.4 inches (depth), and 14.9 inches (height).

9. WARRANTY AND CUSTOMER SUPPORT

For warranty information, technical assistance, or to purchase replacement parts and filters, please contact TOSHIBA customer support directly. Refer to the product packaging or the official TOSHIBA website for contact details.

Manufacturer: TOSHIBA

Model: CAF-Z45US(W)