



[Manuals.plus](#) /

› [ARCORA](#) /

› ARCORA Short Oil Rubbed Bronze Waterfall Spout Bathroom Faucet Instruction Manual (Model 7711A2RB)

ARCORA 7711A2RB

ARCORA Short Oil Rubbed Bronze Waterfall Spout Bathroom Faucet Instruction Manual

Model: 7711A2RB

1. INTRODUCTION

Thank you for choosing the ARCORA Short Oil Rubbed Bronze Waterfall Spout Bathroom Faucet. This manual provides essential information for the safe and efficient installation, operation, and maintenance of your new faucet. Please read these instructions thoroughly before beginning installation and retain them for future reference.



Figure 1: ARCORA Short Oil Rubbed Bronze Waterfall Spout Bathroom Faucet.

2. SAFETY INFORMATION

Always turn off the main water supply before attempting any installation or repair. Wear appropriate personal protective equipment, such as safety glasses and gloves, during installation. If you are unsure about any part of the installation process, consult a qualified plumber.

3. PACKAGE CONTENTS

Verify that all components are present before beginning installation:

- Waterfall Spout Bathroom Faucet (Oil Rubbed Bronze)
- Deck Plate (6.3 inches)
- Pop-up Drain
- 2 x 24-inch cUPC Supply Hoses (3/8 inch)
- Mounting Hardware



Figure 2: Included components for installation.

4. SPECIFICATIONS

Feature	Detail
Brand	ARCORA
Model Name	Bathroom Faucet
Part Number	7711A2RB-US-B
Finish Type	Oil Rubbed Bronze
Material	Stainless Steel
Mounting Type	Deck Mount
Number of Handles	1
Hole Count	1 or 3 (with deck plate)
Spout Height	4.2 Inches

Spout Reach	4.7 Inches
Item Weight	3.34 pounds (1.52 Kilograms)
Product Dimensions	5.7 x 2.4 x 8 inches
Hose Length	48 Inches
Special Feature	Pop Up Drain

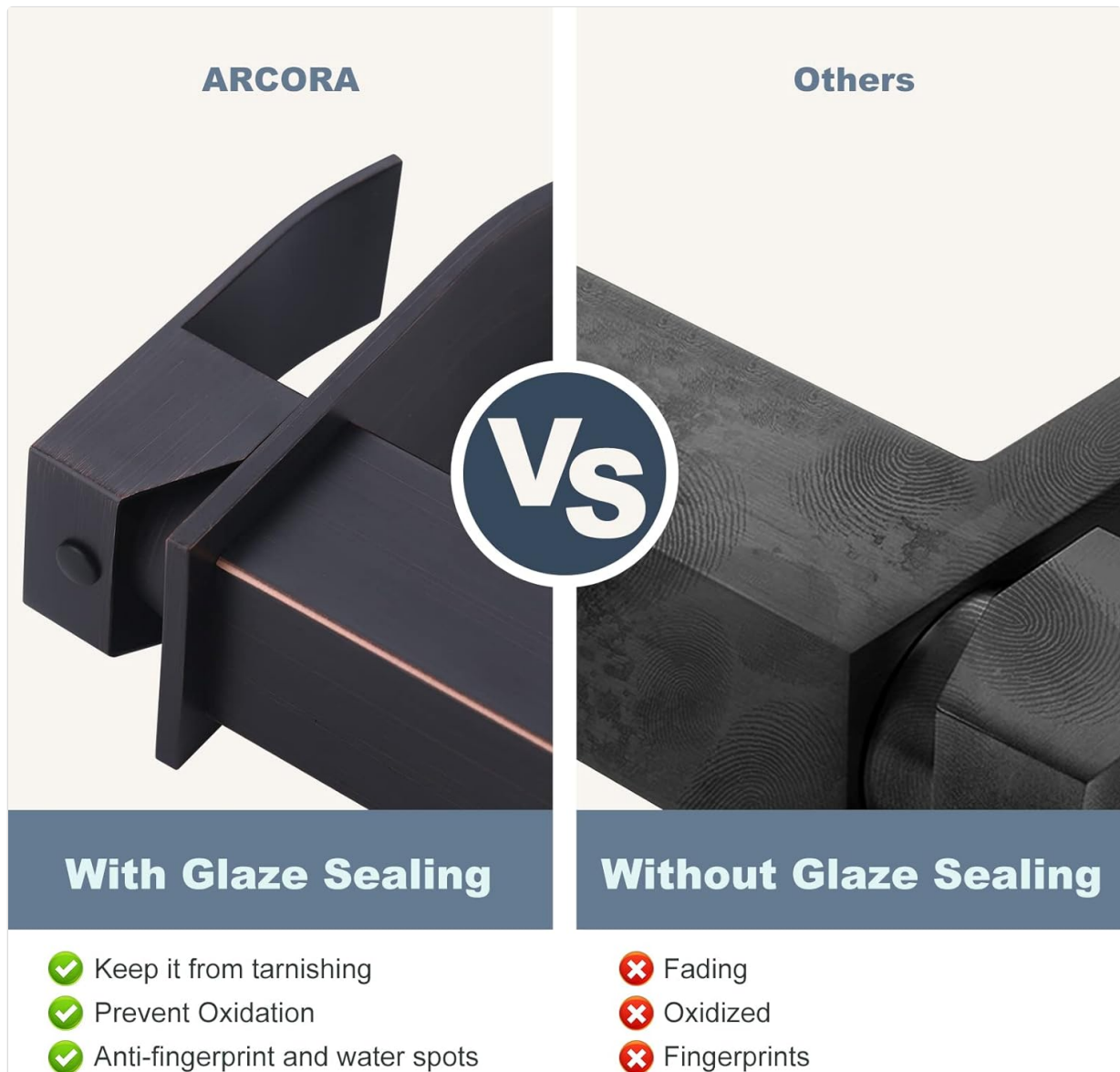


Figure 3: Faucet and component dimensions.

5. INSTALLATION

This faucet is designed for easy installation in either 1-hole or 3-hole sink configurations. The included 6.3-inch deck plate covers any unused holes for a clean finish. Before installation, ensure the main water supply is turned off.

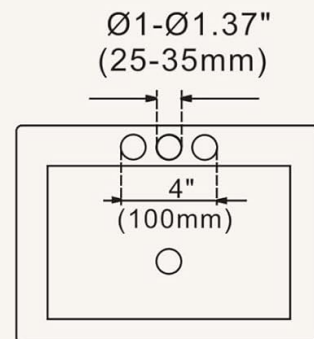
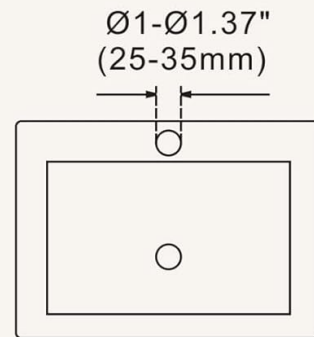
Installation Steps:

- 1. Prepare the Sink:** Clean the sink area thoroughly. If installing in a 3-hole sink, place the deck plate over the holes.
- 2. Mount the Faucet:** Insert the faucet body through the main hole (and deck plate if used). Secure it from

underneath the sink using the provided mounting hardware.

3. **Connect Supply Hoses:** Attach the hot and cold water supply hoses to the corresponding inlets on the faucet body. Ensure a tight, leak-free connection. The hoses are color-coded (red for hot, blue for cold).
4. **Install Pop-Up Drain:** Follow the instructions provided with the pop-up drain to install it into the sink drain opening.
5. **Connect Water Supply:** Connect the other ends of the supply hoses to your hot and cold water shut-off valves.
6. **Flush Lines:** Before fully installing the faucet, open the hot and cold angle valves to flush the water lines for approximately 30 seconds to remove any debris. This also helps reduce potential noise.
7. **Check for Leaks:** Turn on the main water supply and check all connections for leaks.

1 or 3 Hole Installation



Pre drilled hole size :
1" to 1.37"(25mm to 35mm)
Hole Size

Figure 4: 1-Hole or 3-Hole Installation options.

Installation Video:

Video 1: Unboxing and installation overview of a similar ARCORA faucet.

Video 2: Installation and operation demonstration of a Matte Black Waterfall Bathroom Faucet.

6. OPERATING INSTRUCTIONS

The ARCORA Waterfall Spout Faucet features a single handle design for convenient control of water flow and temperature.

- **Water Flow:** Lift the handle upwards to increase water flow. Push it downwards to decrease flow and turn off the water.
- **Temperature Control:** Move the handle to the left for hot water and to the right for cold water.
- **Waterfall Spout:** Enjoy the gentle, laminar waterfall stream provided by the unique spout design.



Figure 5: Waterfall spout in operation.

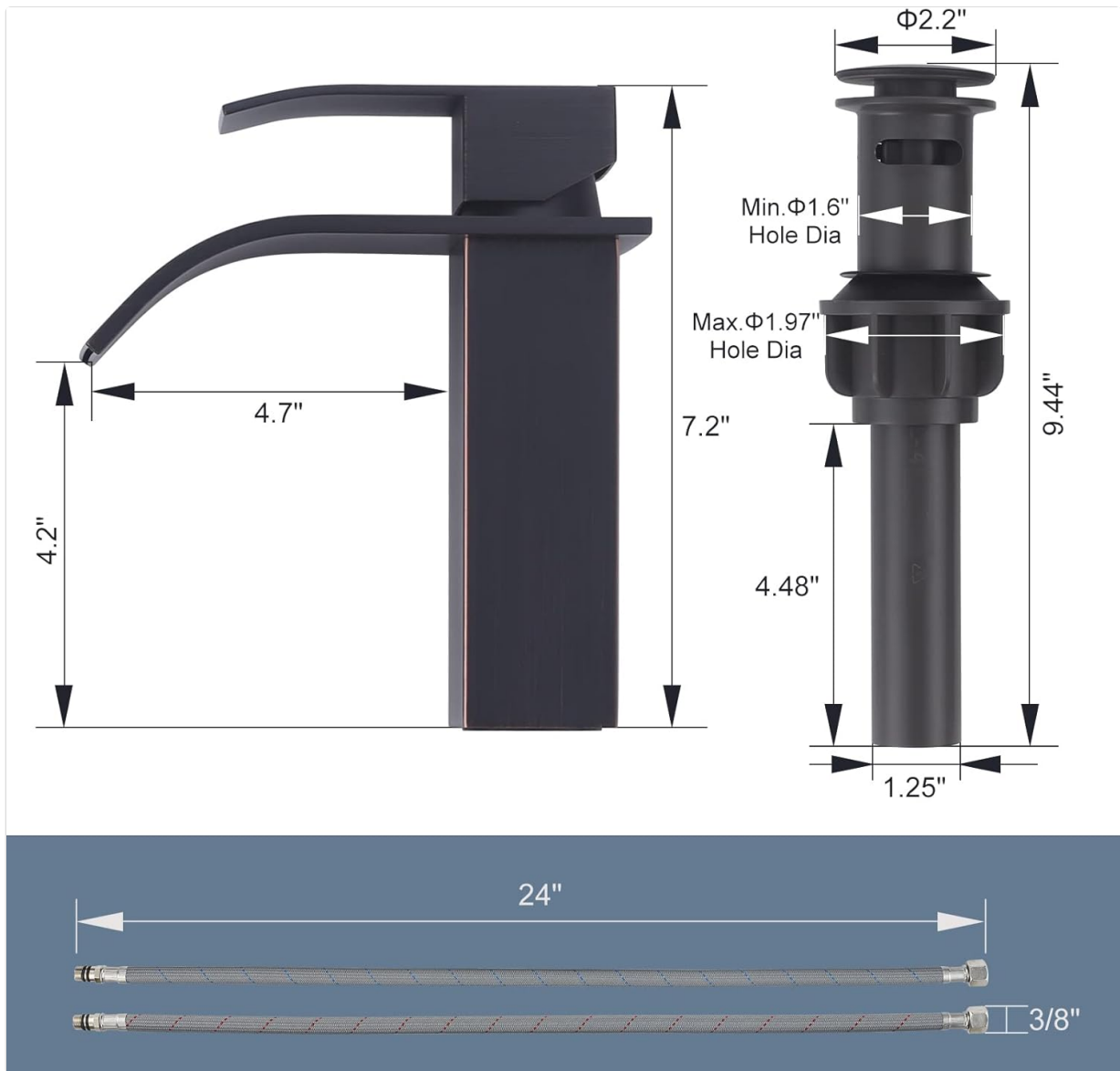


Figure 6: Single handle design for flow and temperature.

Operation Video:

Video 3: A review demonstrating the operation of the ARCORA Waterfall Bathroom Faucet.

Video 4: Demonstration of the waterfall spout feature.

7. MAINTENANCE

Proper care will ensure the longevity and appearance of your ARCORA faucet.

- **Cleaning:** Clean the faucet regularly with a soft cloth and mild soap. Avoid abrasive cleaners, harsh chemicals, or scouring pads, as these can damage the Oil Rubbed Bronze finish.
- **Finish Protection:** The Oil Rubbed Bronze finish is designed to resist tarnishing and peeling. The faucet features glaze sealing to help prevent oxidation, anti-fingerprint marks, and water spots.
- **Ceramic Cartridge:** The ceramic cartridge is built for durability, tested to withstand 500,000 open and close cycles, minimizing leak points.



Figure 7: Glaze sealing for enhanced finish durability.

8. TROUBLESHOOTING

If you encounter any issues with your faucet, refer to the following common solutions:

- **Low Water Flow:** Check if the water supply valves are fully open. Inspect the supply hoses for kinks or obstructions.
- **Leaks:** Ensure all connections are tightened properly. Check O-rings and washers for damage or improper seating.
- **Noise During Operation:** If you experience noise, ensure that the water lines were flushed for 30 seconds before installation. High water pressure can sometimes cause noise; consider installing a pressure reducer if this is a persistent issue.
- **Pop-Up Drain Malfunction:** Ensure the pop-up drain is installed correctly and free of debris that might impede its function.

For issues not covered here, please contact ARCORA customer support.

9. WARRANTY AND SUPPORT

The ARCORA Waterfall Spout Bathroom Faucet comes with a **lifetime warranty**, ensuring peace of mind regarding its quality and durability. For warranty claims, technical assistance, or any product-related inquiries, please visit the official ARCORA website or contact their customer service department. Keep your purchase receipt as proof of purchase.

© 2026 ARCORA. All rights reserved.