

## Manuals+

[Q & A](#) | [Deep Search](#) | [Upload](#)

Manuals.plus /

- › [AEG](#) /
- › AEG FSB42607Z Fully Integrated Dishwasher User Manual

## AEG 911535275

# AEG FSB42607Z Fully Integrated Dishwasher

Model: 911535275

Brand: AEG

## INTRODUCTION

---

This manual provides essential information for the installation, operation, and maintenance of your AEG FSB42607Z Fully Integrated Dishwasher. Designed for seamless integration into your kitchen, this 60 cm dishwasher features AirDry technology for efficient drying, a QuickSelect display for intuitive program selection, and a Start Time Delay function for convenience. It also includes a dedicated cutlery basket and a Water Stop safety system.



Figure 1: Front view of the AEG FSB42607Z Fully Integrated Dishwasher.

## SAFETY INFORMATION

---

Before using the appliance, carefully read these instructions. Keep this manual for future reference. Always follow basic safety precautions, including:

- Ensure the appliance is properly earthed.
- Do not allow children to play with the appliance.

- Do not open the dishwasher door during operation, especially during the hot wash cycle.
- Use only detergents and rinse aids specifically designed for automatic dishwashers.
- Sharp items should be loaded with points down to prevent injury.
- In case of malfunction, disconnect the appliance from the power supply.

## SETUP AND INSTALLATION

The AEG FSB42607Z is a fully integrated dishwasher designed to be built into kitchen cabinetry. Professional installation is highly recommended to ensure proper fit, water, and electrical connections.

### Dimensions and Placement

Refer to the dimension diagram for precise measurements required for installation. Ensure adequate space for ventilation and access to water and drainage connections.

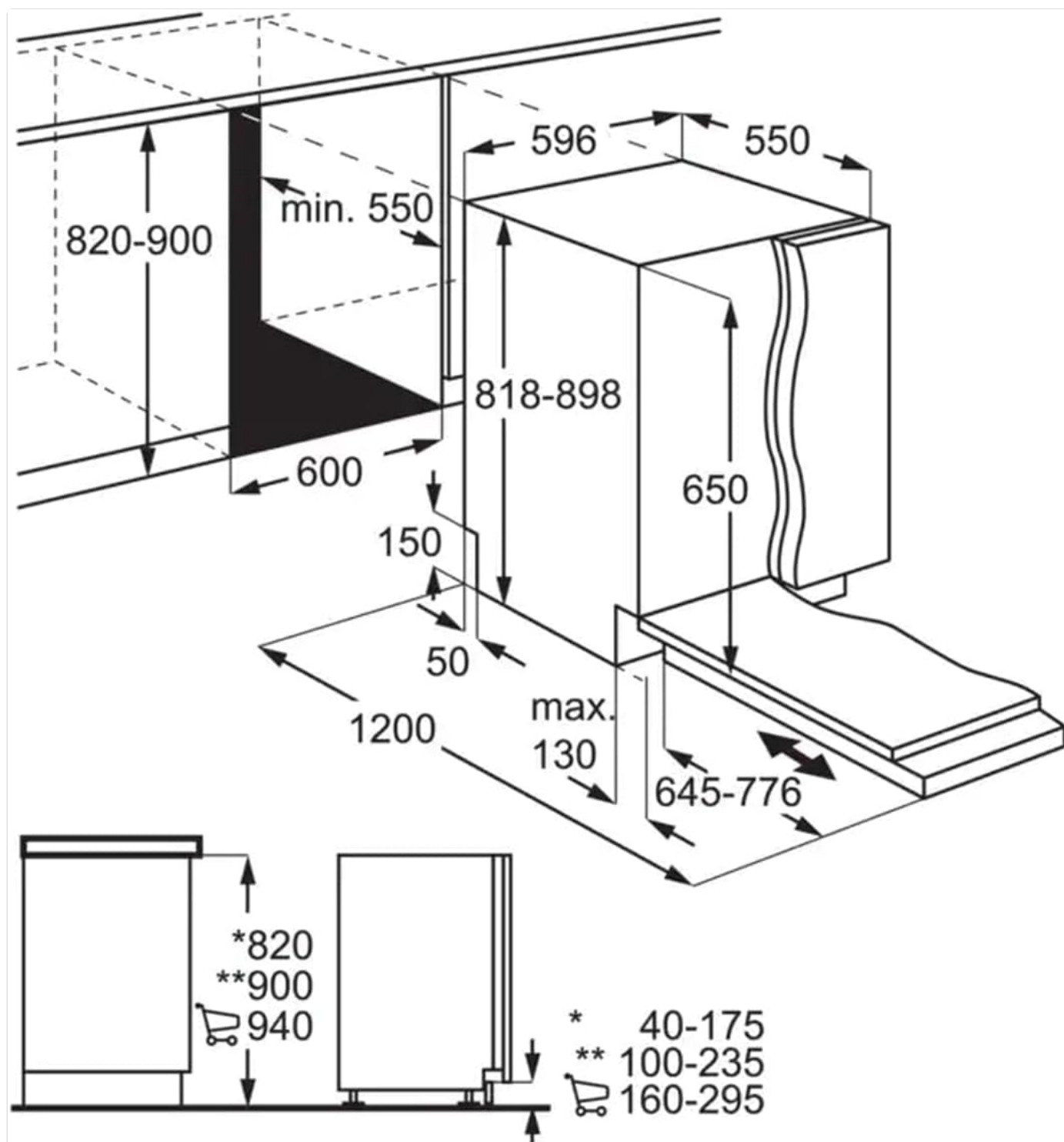


Figure 2: Technical dimensions for installation (measurements in mm).

## **Water and Electrical Connections**

The appliance requires a cold water supply connection and a drainage hose connection. The integrated Water Stop system provides protection against water leaks. Ensure all connections are secure and free from kinks.

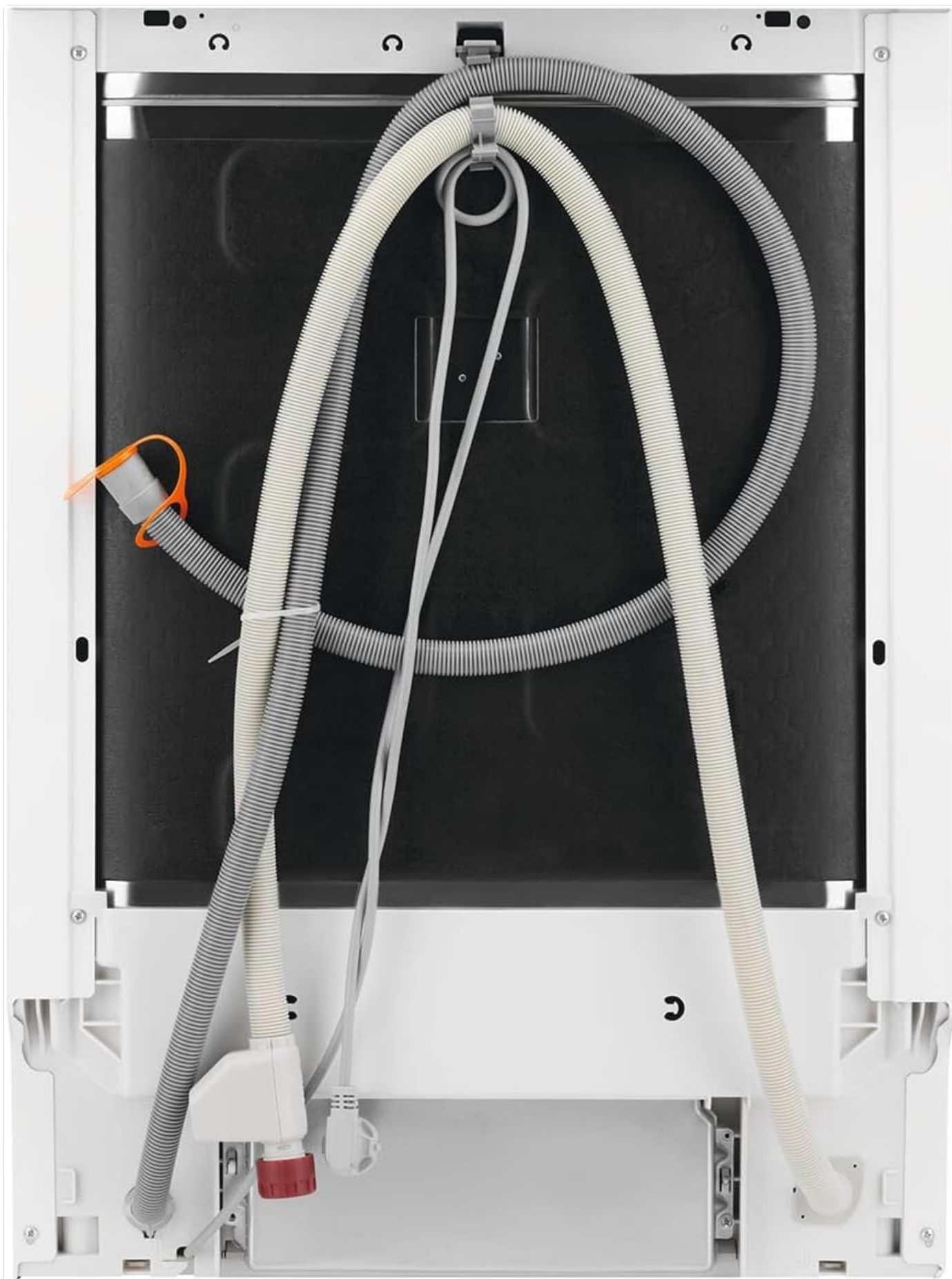


Figure 3: Rear view of the dishwasher illustrating water inlet and drain hose connections.

## Initial Use

Before the first wash cycle, fill the salt dispenser (if applicable for your water hardness) and the rinse aid dispenser. Run an empty cycle with dishwasher detergent to clean the interior.

# OPERATING INSTRUCTIONS

---

Your AEG dishwasher is designed for ease of use with its QuickSelect display and various wash programs.

## Control Panel and Program Selection

The QuickSelect display allows you to easily choose the desired wash program. Programs are typically selected based on the level of soil and type of dishes. Common programs include Eco, AutoSense, and quick wash options.

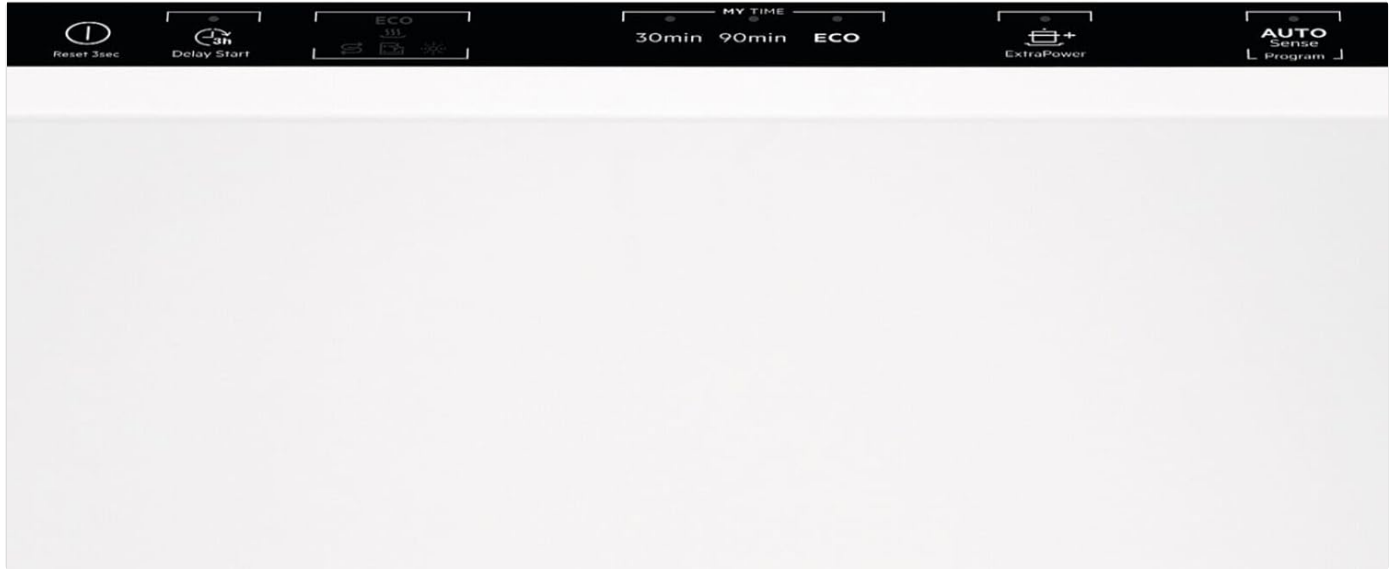


Figure 4: Close-up of the QuickSelect control panel.

## Loading the Dishwasher

Proper loading ensures optimal cleaning and drying results. Place larger items in the lower basket and delicate items in the upper basket. Utilize the dedicated cutlery basket for forks, knives, and spoons.

- Scrape off large food particles before loading.
- Avoid overcrowding the baskets.
- Ensure spray arms can rotate freely.
- Place glasses and cups upside down.



Figure 5: Interior view showing the upper and lower baskets, and the cutlery basket.

## **AirDry Technology**

The AirDry feature automatically opens the dishwasher door by 10 cm towards the end of the drying cycle. This allows natural air to circulate, providing up to three times better drying performance and reducing energy consumption.



Dieses Szenebild ist beispielhaft. Alle Informationen entnehmen Sie bitte der Artikelbeschreibung.

Figure 6: Example of the dishwasher integrated into a kitchen, demonstrating the AirDry feature with the door slightly open.

## Start Time Delay

Use the Start Time Delay function to postpone the start of a wash cycle by a set number of hours, allowing you to run the dishwasher at a more convenient time or during off-peak energy hours.

## MAINTENANCE AND CARE

---

Regular maintenance ensures the longevity and optimal performance of your dishwasher.

### Cleaning Filters

The filter system should be cleaned regularly to prevent food particles from recirculating and affecting wash performance. Twist and remove the cylindrical filter, then separate the fine filter and coarse filter. Rinse all parts under running water.

### Cleaning Spray Arms

Check the spray arm nozzles for blockages. If necessary, remove the spray arms and clear any debris from the holes using a toothpick or similar tool.



Figure 7: View of the lower spray arm and filter assembly.

## Exterior and Interior Cleaning

Wipe the exterior with a soft, damp cloth. For the interior, use a dishwasher cleaner periodically to remove grease and limescale buildup.

## TROUBLESHOOTING

Before contacting service, consult the following common issues and their potential solutions:

Problem	Possible Cause	Solution
Dishwasher does not start	Door not closed properly, power supply issue, program not selected.	Ensure door is latched, check power cord and circuit breaker, select a program and press start.
Dishes not clean	Clogged filters, blocked spray arms, improper loading, insufficient detergent.	Clean filters and spray arms, reload dishes correctly, use recommended detergent amount.
Water not draining	Clogged drain filter, kinked drain hose, blocked sink drain.	Clean drain filter, check drain hose for kinks, clear sink drain.
Excessive noise	Dishes interfering with spray arms, foreign object in pump.	Rearrange dishes, inspect pump area for obstructions.

If the problem persists after attempting these solutions, please contact AEG customer support.

## SPECIFICATIONS

---

**Brand:** AEG

**Model Info:** 911535275

**Item Weight:** 72.6 pounds

**Product Dimensions:** 21.65 x 23.46 x 32.2 inches (55 x 59.6 x 81.8 cm approx.)

**Efficiency (10 classes):** A to G

**Installation Type:** Fully integrated

**Special Feature:** Compact

**Noise Level:** 46 dB

**Finish Type:** Glossy

**Form Factor:** Built-In

**Date First Available:** October 7, 2024

## WARRANTY AND SUPPORT

---

For warranty information and customer support, please refer to the documentation provided with your purchase or visit the official AEG website. Ensure you have your model number (911535275) and serial number ready when contacting support.

You can typically find support resources, FAQs, and contact details on the manufacturer's official website:

[Visit AEG Official Website](#)