

## Vitrifrigo C42L

# Vitrifrigo C42L Refrigerator with External Unit - 42 Liter Capacity User Manual

Model: C42L

---

## 1. INTRODUCTION

---

This manual provides detailed instructions for the safe and efficient installation, operation, and maintenance of your Vitrifrigo C42L refrigerator. The Vitrifrigo Sea Classic series offers a range of refrigeration solutions designed for various space and capacity requirements, emphasizing ergonomics, quiet operation, intuitive use, and safety for maximum comfort. The C42L model, equipped with an external motor unit, is part of this series, known for its reliability in marine and other demanding environments.

Key features of your Vitrifrigo C42L refrigerator include:

- Airlock system for secure door closure and ventilation.
- Easy Custom profiles for simplified panel personalization.
- High-intensity LED interior lighting.
- Flexible power options: 12/24 V DC, with an optional dual-voltage control unit for 100-240 V AC 50/60 Hz.

## 2. SAFETY INFORMATION

---

Please read all safety instructions carefully before installing, operating, or performing maintenance on the appliance. Failure to follow these instructions may result in electric shock, fire, or damage to the product.

- Ensure the power supply matches the voltage specified on the appliance's rating label.
- Do not operate the appliance with a damaged power cord or plug.
- Keep ventilation openings clear of obstructions.
- Do not store explosive substances such as aerosol cans with a flammable propellant in this appliance.
- Repairs should only be performed by qualified personnel.
- Disconnect the appliance from the power supply before cleaning or maintenance.

### 3. PRODUCT OVERVIEW

The Vitrifrigo C42L is a compact refrigerator designed for built-in installation, featuring a 42-liter capacity and an external compressor unit for flexible placement. Its robust construction and innovative features make it suitable for various applications, including marine and RV use.



**Figure 3.1:** Vitrifrigo C42L Refrigerator with its door open, revealing the interior layout with shelves and typical contents like bottles and vegetables. An external compressor unit is visible on the left.

The refrigerator is equipped with the innovative Airlock system, which simplifies various functions and enhances usability. This system includes a positive door closure mechanism to prevent accidental opening, and a unique mounting profile for both complete and partial built-in installations. The door is also designed for quick reversibility, allowing for flexible setup.



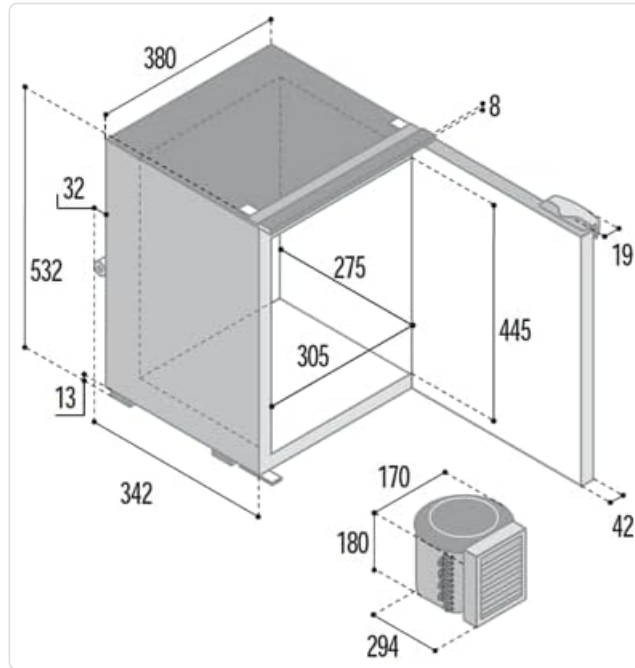
**Figure 3.2:** Close-up interior view of the Vitrifrigo C42L refrigerator, highlighting the adjustable wire shelves and the integrated LED lighting strip at the top, providing clear illumination of the contents.

### 4. SETUP AND INSTALLATION

The Vitrifrigo C42L is designed for built-in installation. Careful planning of the installation location is crucial to ensure proper ventilation for the external compressor unit and easy access for maintenance.

## 4.1. Dimensions and Clearance

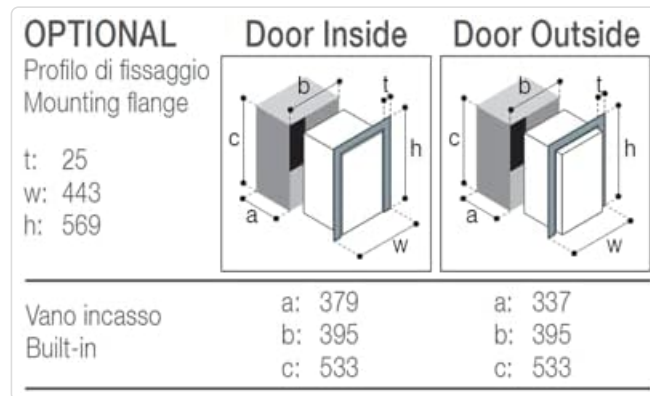
Refer to the diagram below for the precise dimensions of the refrigerator and the external compressor unit. Ensure adequate clearance for air circulation around the compressor unit to maintain optimal performance and energy efficiency.



**Figure 4.1:** Technical drawing illustrating the overall dimensions of the Vitrifrigo C42L refrigerator and its separate external compressor unit. All measurements are provided in millimeters, detailing height, width, depth, and component spacing for installation planning.

## 4.2. Mounting Flange Options

The refrigerator offers flexible mounting options with an optional profile for both "Door Inside" (complete built-in) and "Door Outside" (partial built-in) configurations. This allows for seamless integration into various cabinet designs.



**Figure 4.2:** Diagram presenting two distinct mounting flange options for the Vitrifrigo C42L: 'Door Inside' for a fully integrated look where the door is flush with the cabinet, and 'Door Outside' for a partially integrated look where the door protrudes slightly. Dimensions for built-in recess (Vano incasso / Built-in) are provided for both configurations.

The mounting flange dimensions are as follows:

- **Mounting Flange (Profilo di fissaggio):** t: 25, w: 443, h: 569
- **Built-in Recess (Vano incasso):**
  - **Door Inside:** a: 379, b: 395, c: 533
  - **Door Outside:** a: 337, b: 395, c: 533

### **4.3. Door Reversibility**

The door of the C42L can be quickly reversed to open from either the left or right side, providing flexibility for installation in different spaces. Consult the detailed instructions provided with the appliance for the specific steps to reverse the door swing.

### **4.4. Electrical Connection**

Connect the refrigerator to a 12/24 V DC power source. If using the optional dual-voltage control unit, it can also be connected to a 100-240 V AC 50/60 Hz supply. Ensure all electrical connections are secure and comply with local regulations.

## **5. OPERATING INSTRUCTIONS**

---

### **5.1. Initial Startup**

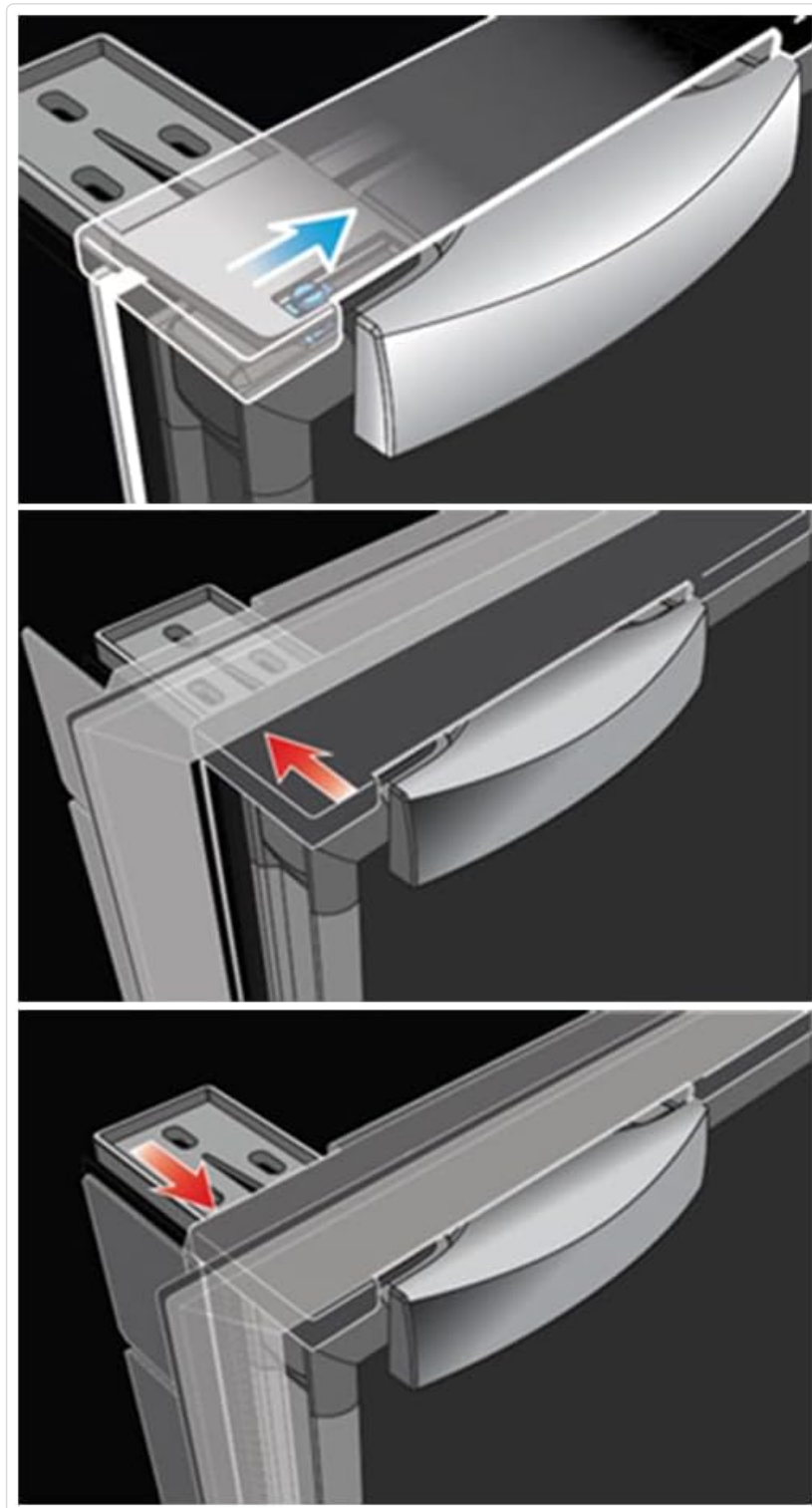
After installation, wait at least 2-3 hours before connecting the refrigerator to power. This allows the refrigerant to settle. Once connected, the refrigerator will begin cooling. Allow several hours for the interior to reach the desired temperature before loading with food items.

### **5.2. Temperature Control**

The refrigerator is equipped with a thermostat to adjust the internal temperature. Locate the thermostat control (usually a dial or digital interface) inside the refrigerator compartment and set it to your desired cooling level. Higher settings typically result in colder temperatures.

### **5.3. Airlock System Operation**

The Airlock system provides a secure closure and a ventilation position. To close the door securely, simply push it until it latches firmly. To engage the "Vent-Position" system, which holds the door slightly ajar to prevent odors when the refrigerator is not in use, follow the mechanism shown below.



**Figure 5.1:** A sequence of three images illustrating the functionality of the Airlock door system. The first image shows the door being pushed to close, the second shows the door being pulled to open, and the third shows the mechanism engaged for the 'Vent-Position' to keep the door slightly open for air circulation.

#### 5.4. Interior Lighting

The refrigerator features a high-intensity LED light that illuminates the interior when the door is opened. This light is energy-efficient and provides clear visibility of the contents.

### 6. MAINTENANCE

---

Regular maintenance ensures the longevity and efficient operation of your Vitrifrigo C42L refrigerator.

## 6.1. Cleaning the Interior

Clean the interior of the refrigerator regularly with a mild detergent and warm water. Avoid abrasive cleaners or solvents. Wipe dry thoroughly after cleaning. For prolonged periods of non-use, engage the "Vent-Position" system to prevent the buildup of unpleasant odors and mold.

## 6.2. Defrosting

The C42L features a manual defrost system. When ice buildup on the evaporator plate reaches approximately 5-10 mm (0.2-0.4 inches) thickness, the refrigerator should be defrosted. To defrost:

1. Disconnect the refrigerator from the power supply.
2. Remove all food items and place them in a cooler.
3. Leave the refrigerator door open to allow the ice to melt naturally. You can place towels at the bottom to absorb water.
4. Once defrosted, clean and dry the interior thoroughly.
5. Reconnect the power and allow the refrigerator to cool down before returning food items.

## 6.3. Cleaning the External Unit

Periodically clean the condenser fins of the external compressor unit to ensure efficient heat dissipation. Use a soft brush or vacuum cleaner to remove dust and debris. Ensure the power is disconnected before cleaning.

## 7. TROUBLESHOOTING

If you encounter issues with your refrigerator, refer to the following common troubleshooting steps. If the problem persists, contact qualified service personnel.

Problem	Possible Cause	Solution
Refrigerator not cooling	No power; thermostat set too high; poor ventilation around compressor; door not sealing properly.	Check power connection and fuse; adjust thermostat to a colder setting; ensure adequate airflow around the external unit; check door seal for obstructions or damage.
Excessive noise	Appliance not level; loose components; fan obstruction.	Ensure the refrigerator is level; check for any loose items inside or around the unit; inspect the compressor fan for obstructions.
Water accumulation inside	Drain hole blocked; door left open too long.	Clear any blockages in the drain hole (if applicable); ensure the door is closed properly and not opened frequently for extended periods.
Door not closing properly	Door seal dirty or damaged; obstruction in the door path.	Clean the door gasket; remove any obstructions; check if the door hinges are aligned correctly.

## 8. SPECIFICATIONS

Detailed technical specifications for the Vitrifrigo C42L refrigerator:

Feature	Detail
Brand	Vitrifrigo
Model Number	C42 L V12/24 DX OCN BD35F
Product Dimensions (Refrigerator)	38.4 x 38 x 53.2 cm (Width x Depth x Height)
Capacity	42 Liters
Configuration	Compact with external compressor unit
Color	As described (typically black/grey)
Special Features	Airlock system, Door lock, LED light, Quick door reversibility
Installation Type	Built-in
Number of Doors	1
Defrost System	Manual
Power Supply	12/24 V DC (Optional: 100-240 V AC 50/60 Hz with dual-voltage control unit)
First Available Date	28 April 2022



**Figure 8.1:** Energy efficiency label indicating an A++ rating, signifying high energy efficiency for the appliance.

## 9. WARRANTY INFORMATION

Vitrifrigo products are covered by a manufacturer's warranty. For specific details regarding the warranty period, coverage, and terms and conditions, please refer to the warranty card included with your product or visit the official Vitrifrigo website. Please retain your proof of purchase for warranty claims.

## 10. CUSTOMER SUPPORT

Should you require technical assistance, spare parts, or have any questions not covered in this manual, please contact your authorized Vitrifrigo dealer or the Vitrifrigo customer service department. Contact information can typically be found on the manufacturer's website or on your purchase documentation.

For further information, you may visit the [Vitrifrigo official website](#).

