



Manuals.plus /

› Kitsure /

› Kitsure XX-Large Black Adhesive Shower Caddy (2-Pack) Instruction Manual

Kitsure US417

Kitsure XX-Large Black Adhesive Shower Caddy (2-Pack) Instruction Manual

Model: US417 | Brand: Kitsure

INTRODUCTION

This manual provides comprehensive instructions for the installation, operation, and maintenance of your Kitsure XX-Large Black Adhesive Shower Caddy 2-Pack. Designed for efficient bathroom organization, these rustproof metal shelves offer a no-drill installation solution for smooth surfaces. Please read this manual thoroughly before installation and use to ensure proper setup and longevity of your product.

SAFETY INFORMATION

- Ensure the installation surface is clean, dry, and smooth. Unsuitable surfaces include wallpaper, painted walls, and concrete walls.
- Do not apply the adhesive to rough or uneven surfaces.
- Allow the adhesive to cure for at least 24 hours before placing items on the caddy to ensure maximum hold.
- Do not exceed the maximum recommended load capacity of 20 lbs (9.07 kg) per caddy.
- Keep small components away from children to prevent choking hazards.

PACKAGE CONTENTS

Verify that all components are present before beginning installation:

- 2 x Kitsure XX-Large Shower Caddies (Black, Stainless Steel)
- 2 x High-Quality Adhesive Tapes (with hooks)
- 6 x Fixing Snaps (pre-attached or included for stability)
- (Optional: Additional adhesive may be purchased separately, ASIN: B0CBRZSCQD)



Image: Two Kitsure XX-Large Black Shower Caddies, showcasing their design and capacity.

SETUP AND INSTALLATION

Follow these steps for a secure, drill-free installation:

1. Step 1: Clean the Wall Surface

Thoroughly clean the desired installation area on your wall. Ensure the surface is smooth, dry, and free from dust, oil, or moisture. Use a clean cloth to wipe it down.

2. Step 2: Mark Installation Position

Hold the shower caddy against the wall at your desired height and location. Use a pencil to lightly mark the positions where the adhesive tapes will be placed, ensuring the caddy will be level.

3. Step 3: Apply Adhesive Tapes

Peel off the protective film from the back of each adhesive tape. Carefully align the adhesive tape with your marks and firmly press it against the wall. Press from the center outwards to eliminate any air bubbles.

4. Step 4: Allow Adhesive to Cure

Leave the adhesive tapes on the wall for at least 24 hours before hanging the caddies. This allows the adhesive to fully bond and achieve maximum strength.

5. Step 5: Hang the Shower Caddies

After the curing period, carefully align the hooks on the back of the shower caddies with the hooks on the adhesive tapes. Gently push down to secure the caddies in place.

6. Step 6: Attach Removable Hooks (Optional)

The caddies come with removable hooks. You can attach these to the bottom bars of the caddies to hang loofahs, razors, or other small items.

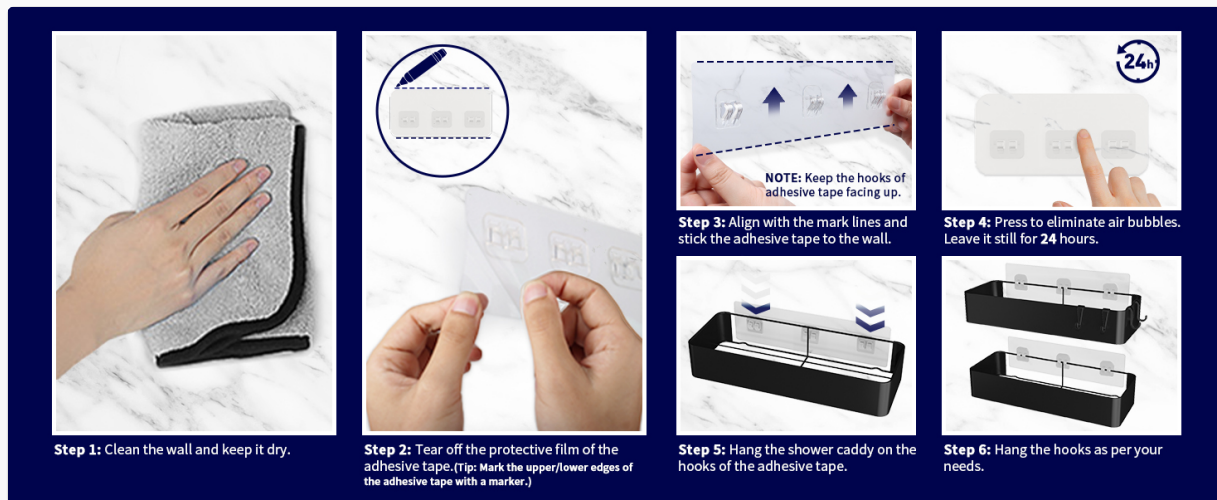


Image: Visual guide for the 6-step installation process of the Kitsure Shower Caddy.

Your browser does not support the video tag.

Video: A detailed tutorial demonstrating the installation of the Kitsure Shower Caddy.

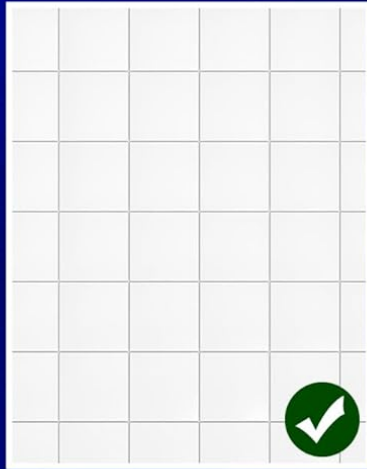
Suitable Surfaces:

- Smooth Tiles
- Smooth Marble
- Tempered Glass
- Metal
- Ceramic Tile

Not Suitable for:

- Wallpaper
- Painted Walls
- Concrete Walls
- Whitewashed Walls

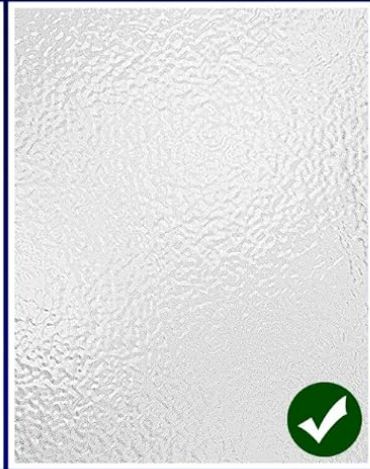
Suitable for Smooth Surfaces



Smooth Tiles

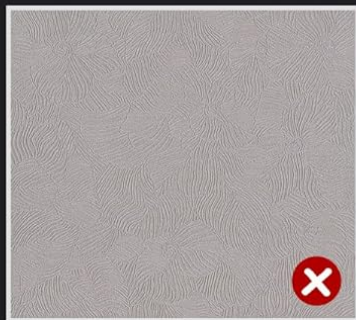


Smooth Marble



Tempered Glass

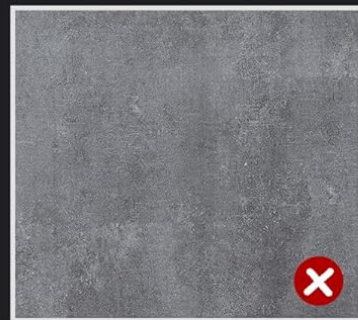
Not Suitable for



Wallpaper



Painted Wall



Concrete Wall

Image: Visual representation of surfaces suitable and unsuitable for adhesive application.

Removing Adhesive Tapes:

If you need to remove or reposition the adhesive tapes, heat the surface of the adhesive with a hairdryer for 3-5 minutes. This will soften the adhesive, allowing you to peel it off more easily. The adhesive is not reusable; new adhesive tapes will be required for reinstallation.

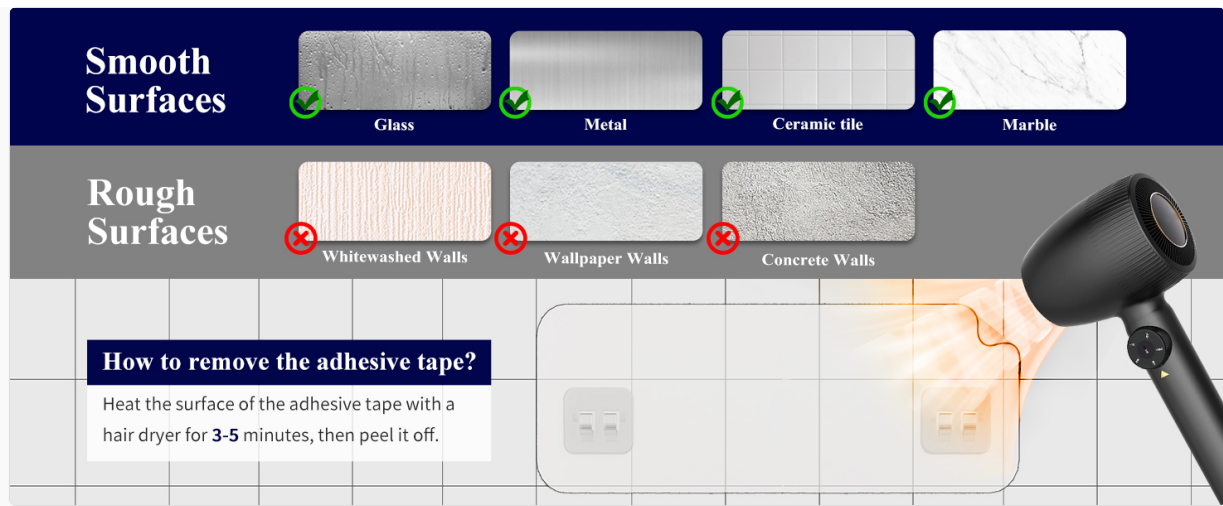


Image: Diagram illustrating the process of removing adhesive tapes using heat.

OPERATING INSTRUCTIONS

Once installed and cured, your Kitsure Shower Caddies are ready for use. They are designed to hold various bathroom essentials securely.

- Place shampoo, conditioner, body wash, and other bottles on the shelves. The extra-large capacity (15.7" and 15.2" lengths) accommodates multiple items.
- The heightened guard rail helps prevent items from falling off.
- Utilize the two round holes at the bottom of the caddies to store bottles upside-down for easy dispensing.
- Hang loofahs, razors, or washcloths on the removable hooks.

Aesthetic Design

Blending Utility with Decor



Image: Two Kitsure shower caddies installed in a shower, holding various bath products and a brush.

Easy Dispensing

Store bottles upside-down for effortless dispensing!



Image: Close-up showing a bottle stored upside-down in the caddy for convenient dispensing.

MAINTENANCE

To maintain the appearance and functionality of your Kitsure Shower Caddies:

- **Cleaning:** The smooth, easy-to-clean surface allows for simple maintenance. Rinse the shower caddy with water and allow it to air dry. For deeper cleaning, wipe with a dry cloth. Avoid abrasive cleaners or scouring pads that could damage the finish.
- **Drainage:** The hollow bottom design ensures quick and smooth water drainage, preventing water accumulation and keeping your accessories dry. Regularly check for any blockages to maintain optimal drainage.
- **Rust Prevention:** Made from 100% metal with a thickened coating, the caddies are designed to be

rustproof. Ensure proper drainage and drying after each use to prolong their lifespan.

Rustproof Material

durable for long-term use

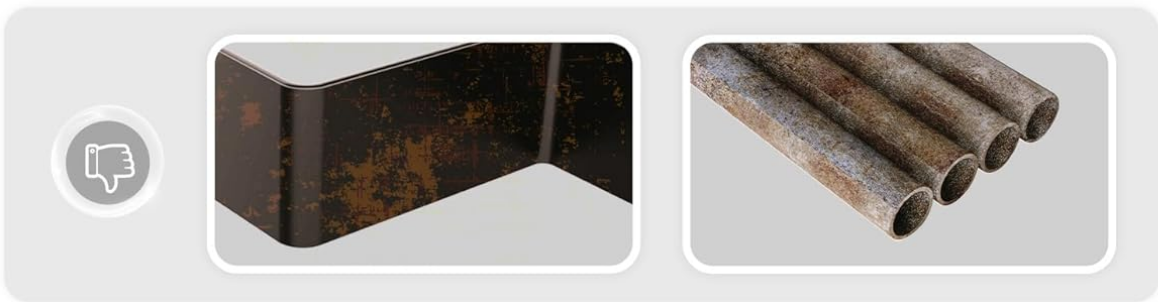
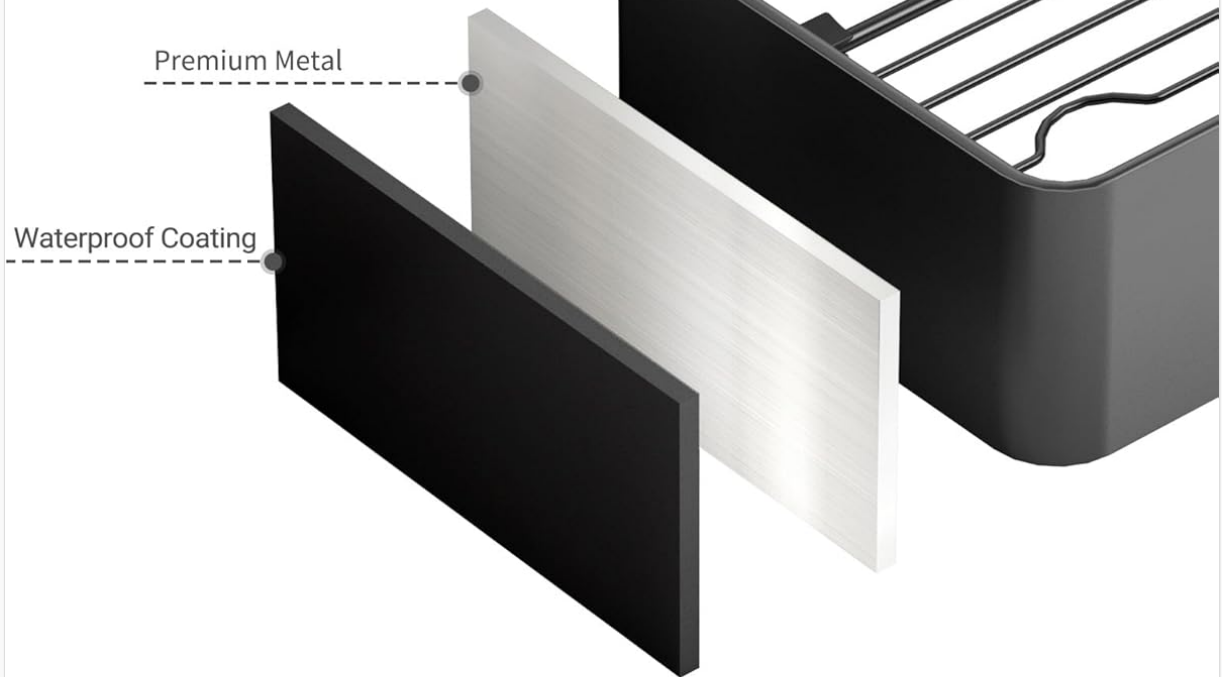


Image: Diagram illustrating the premium metal and waterproof coating that ensures rustproof durability.

TROUBLESHOOTING

Problem	Possible Cause	Solution
Caddy is not holding securely / falling off.	Surface was not clean/dry, or not smooth. Adhesive did not cure for 24 hours. Overload.	Ensure surface is clean, dry, and smooth (e.g., tile, glass). Reapply new adhesive after cleaning the surface thoroughly and allow 24 hours for curing. Do not exceed 20 lbs (9.07 kg) load.
Items falling from the caddy.	Items are too tall or unstable.	Utilize the heightened guard rail. Ensure items are placed stably. Consider using the removable hooks for smaller hanging items.
Water accumulation in the caddy.	Drainage holes are blocked.	Clear any debris from the hollow bottom design to ensure proper water drainage.

SPECIFICATIONS

- **Brand:** Kitsure
- **Model Number:** US417
- **Material:** Stainless Steel
- **Color:** Black
- **Product Dimensions (approx.):** 4.9"D x 15.7"W x 2.4"H (for larger caddy)
- **Item Weight:** 14.1 ounces (399.16 Grams)
- **Number of Items:** 2 Shower Caddies
- **Mounting Type:** Wall Mount (Adhesive)
- **Maximum Recommended Load:** 20 lbs (9.07 Kilograms) per caddy
- **Special Feature:** Waterproof, Rustproof
- **Assembly Required:** Yes (Installation of caddy onto adhesive)
- **Care Instructions:** Wipe with Dry Cloth

Ultra-Large Capacity

organize all your bathroom items

Easily holds 5-6

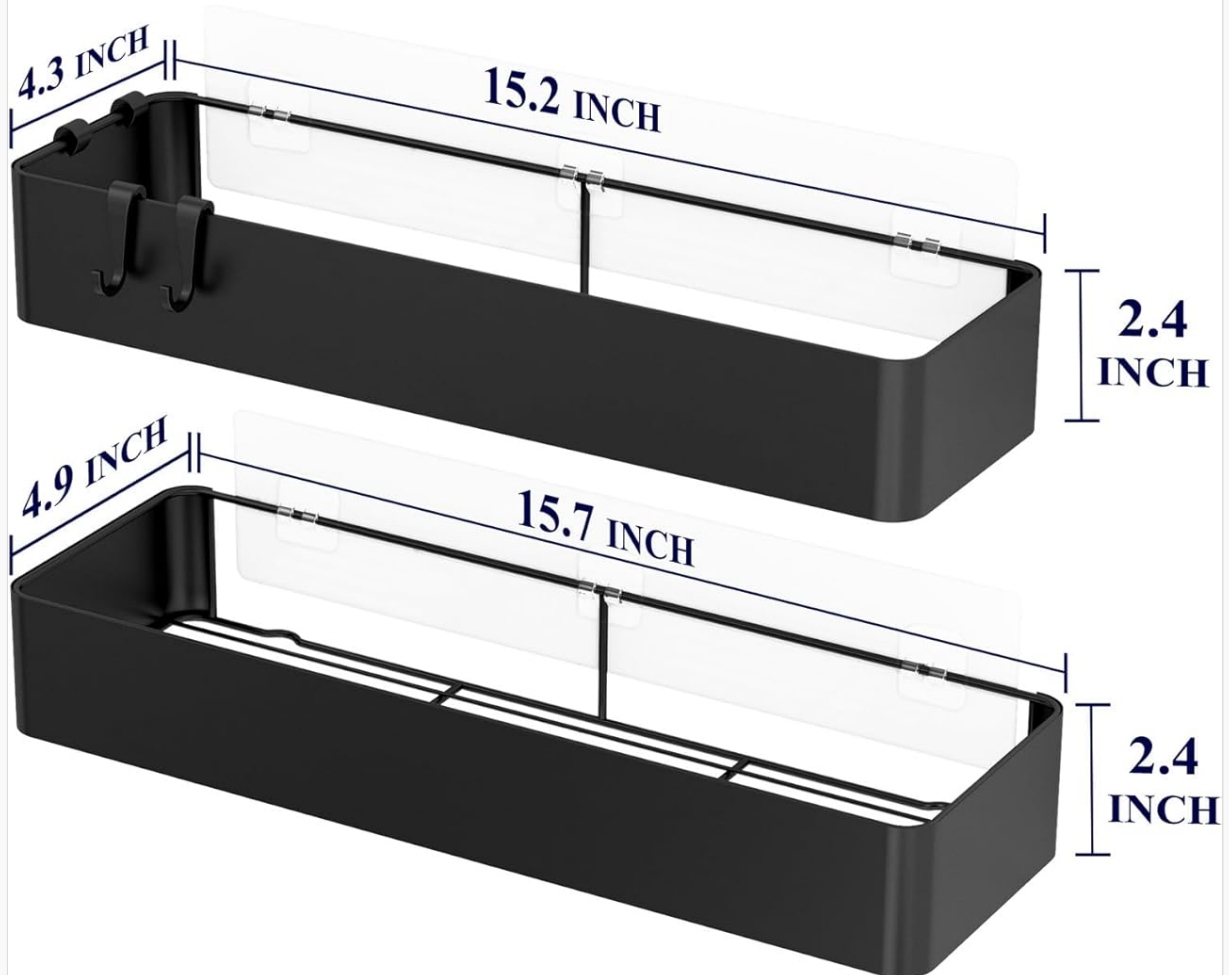


Image: Detailed dimensions of the two shower caddies, highlighting their extra-large capacity.

WARRANTY AND SUPPORT

For warranty information or customer support, please contact Kitsure directly through their official website or the retailer where the product was purchased. Please have your model number (US417) and purchase details ready when contacting support.

For additional adhesive, please search ASIN: B0CBRZSCQD.