



Manuals.plus /

› Uniflasy /

› Uniflasy Grill Replacement Parts Instruction Manual

Uniflasy for Charbroil Performance 2Burner (grill-burners)

Uniflasy Grill Replacement Parts Instruction Manual

Model: for Charbroil Performance 2Burner, grill-burners

INTRODUCTION

This manual provides detailed instructions for the installation, maintenance, and troubleshooting of your Uniflasy Grill Replacement Parts. These parts are designed to restore the performance of your compatible Charbroil grill, ensuring even heating and reliable ignition. Please read this manual thoroughly before proceeding with installation.

COMPATIBILITY

These Uniflasy grill replacement parts are specifically designed to fit various Charbroil Performance and Tru-Infrared grill models. Please verify your grill model number against the list below to ensure proper fitment.

- **Perfectly Fits Charbroil Performance Tru-Infrared 2 Burner Grills:**

- Char-broil 463633316, 463672016, 463672416, 463672216, 463672219, 463672419, 463672019, 466645115, 463645015 Gas Grill

- **Also Fits other Charbroil Models (check your specific part requirements):**

- Charbroil Advantage 4 Burner: 463344116, 466344116, 463343819, 463280219, 463280419 Gas Grill
- Char-Broil 463370719 Performance TRU-Infrared 3-Burner
- Charbroil Performance 3 Burner: 463370719, 463280019, 463371116, 463336016, 463371716, 463371316, 463274016, 463672416, 463371116P1, 463370917, 463274019, 463370919, 463371119, 463371119P1, 463371319, 463371719 Gas Grill

Uniflasy

Perfectly Fits Char-Broil Gas Grill



2 BURNER

463633316 463672016 463672416 463672216 463672219
463672419 463672019 466645115 463645015



3 BURNER

463370719 463280019 463371116 463336016 463371716
463371316 463274016 463672416 46337116P1 463370917
463274019 463370919 463371119 463371119P1 463371319
463371719



4 BURNER

463344116 466344116 463343819 463280219 463280419

Image: Compatibility chart for Uniflasy grill replacement parts, detailing compatible Charbroil 2-burner, 3-burner, and 4-burner grill models.

PACKAGE CONTENTS

Your Uniflasy grill replacement kit includes the following components:

- 2 x Grill Burners (Stainless Steel, Original parts number: G466-2500-W1)
- 2 x Heat Plates (Premium Stainless Steel, NO MAGNETIC, Original parts number: G361-0003-W1, G3610003W1)
- 1 x Adjustable Crossover Tube (Adjustable from 5 to 9.5 inches)
- 2 x Igniters

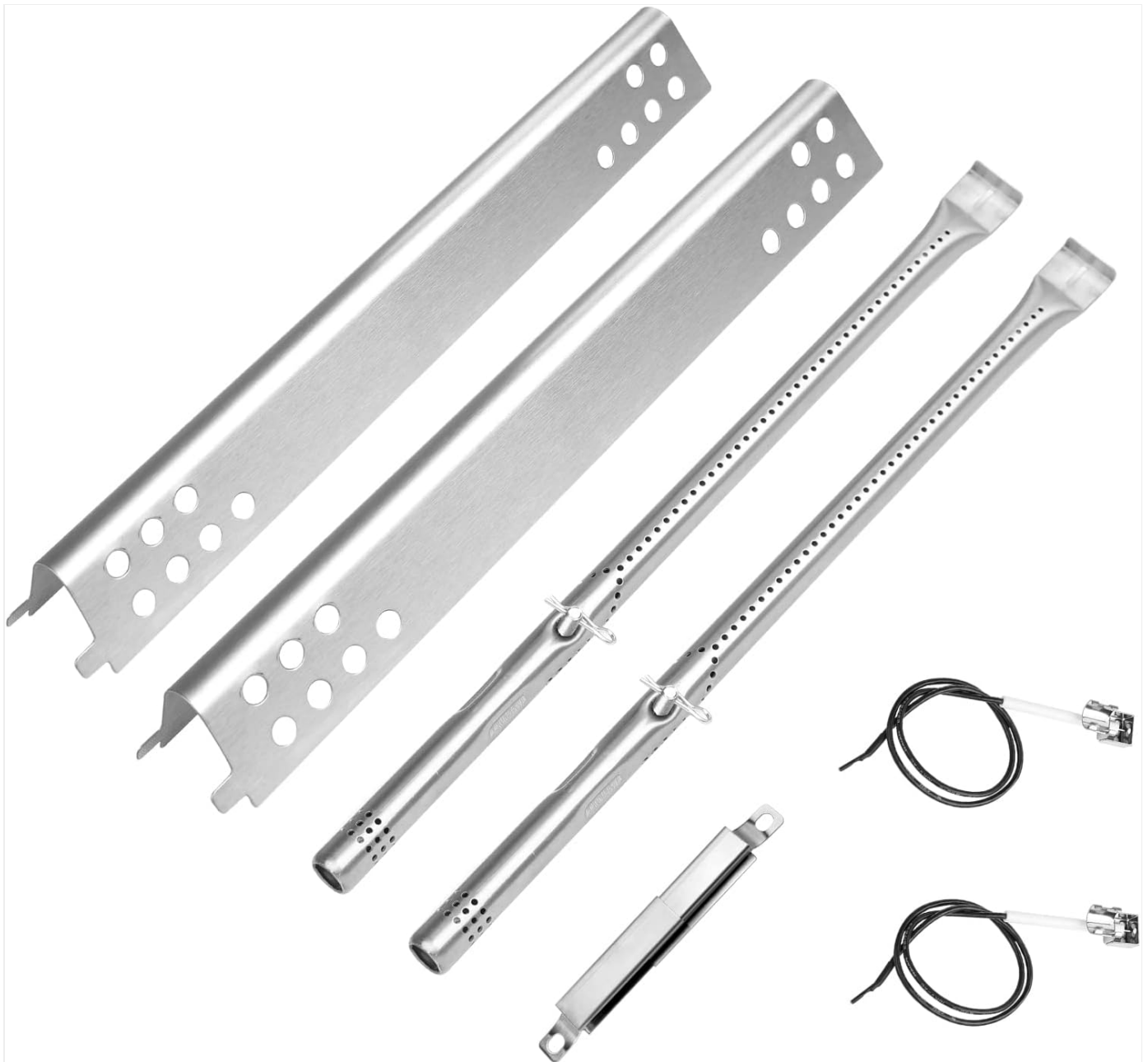


Image: All components included in the Uniflasy grill replacement kit.

INSTALLATION INSTRUCTIONS

Before beginning installation, ensure your grill is completely cool and disconnected from its gas supply. It is recommended to wear gloves for protection.

1. **Remove Old Components:** Carefully remove the old grill grates, heat plates, and burners. Disconnect the old igniters and crossover tube. Note the position and orientation of each part for easier reassembly.
2. **Install New Burners:** Place the new stainless steel grill burners into their designated slots. Ensure they are securely seated. The burners are designed to provide a consistent gas flow for even cooking.

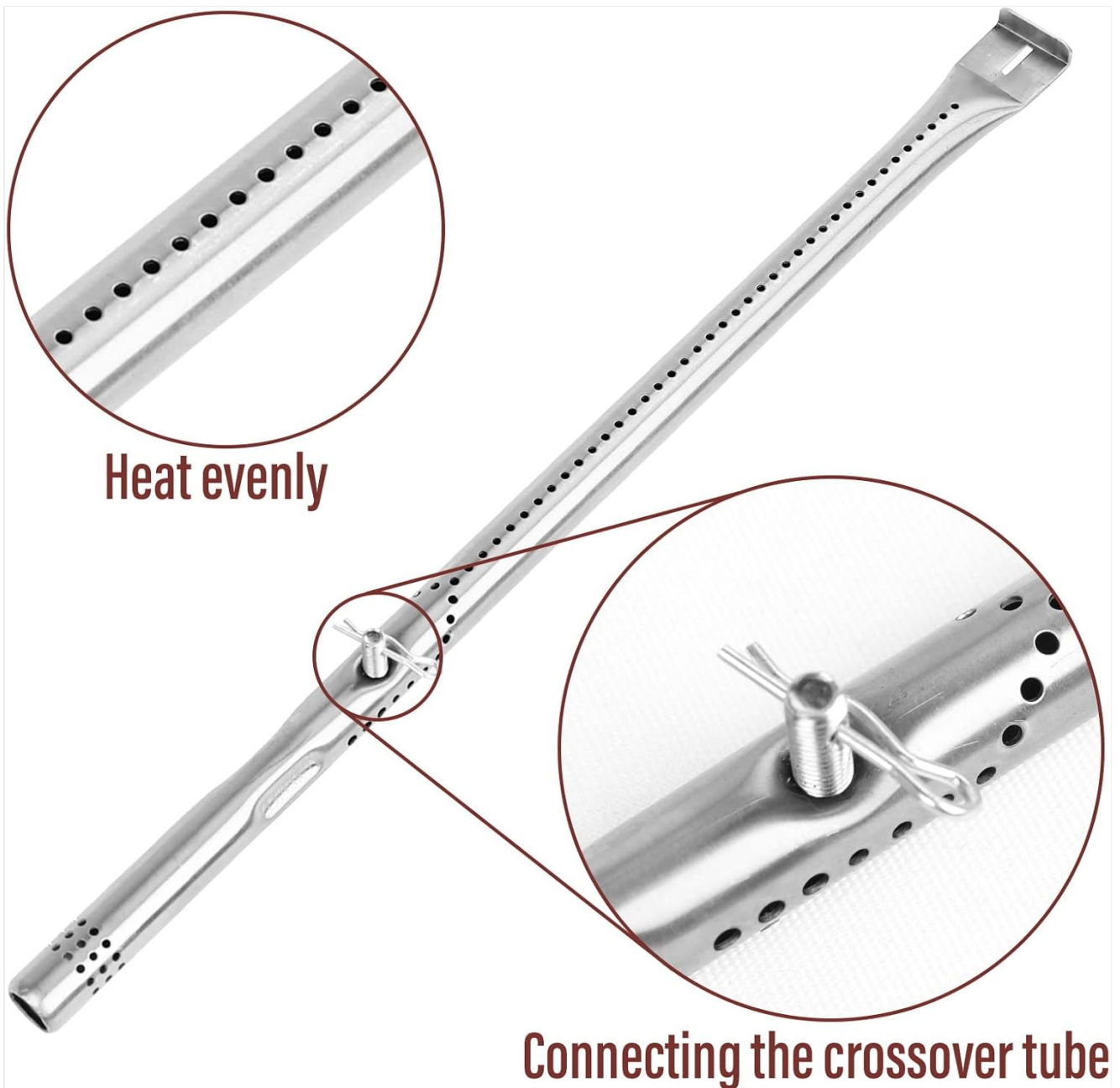


Image: Detail of the grill burner, highlighting its design for even heat distribution and connection point for the crossover tube.

- 3. Install Adjustable Crossover Tube:** Connect the adjustable crossover tube between the burners. This tube can be adjusted from 5 to 9.5 inches to fit your grill perfectly. Ensure a secure connection.

- Renew your grill
- Built to last
- Easy to install



Image: Components of the replacement kit, emphasizing the adjustable crossover tube and ease of installation.

4. **Install Igniters:** Attach the new igniters. Ensure the wiring is routed correctly and securely connected. If you encounter difficulty with the igniter frame, consider trying it on an adjacent burner if space allows, as noted by some users.



anti
corrosive



lubricant



water
resistant



non
evaporative



long
lasting

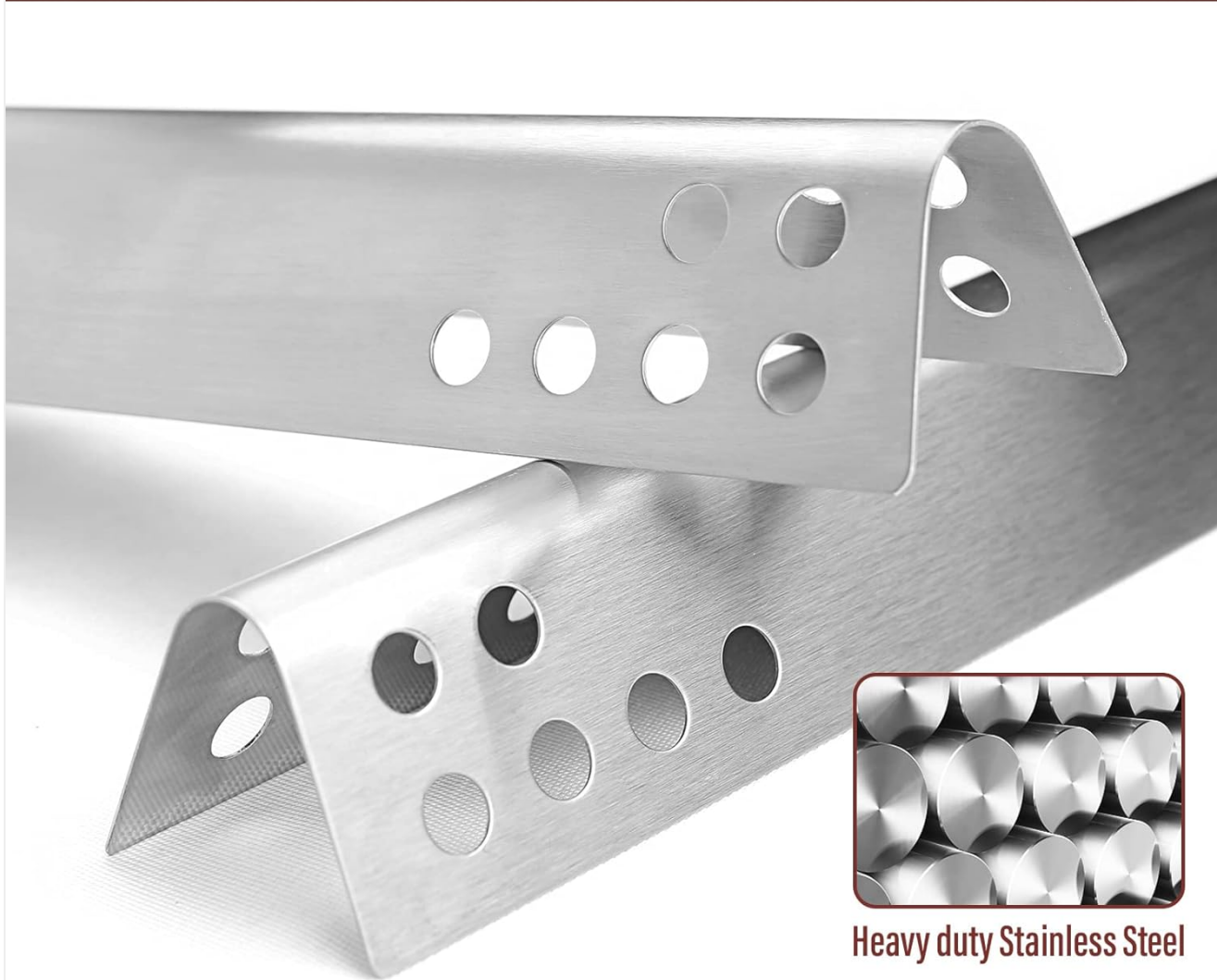
**High quality withstands weather scratching,
scratching, denting and corroding**



Image: Detail of the igniter, highlighting its durable and resistant properties.

5. **Place Heat Plates:** Position the new heat plates over the burners. These premium stainless steel heat plates prevent direct flame exposure to food, ensure even heat distribution, and protect the burners from dripping grease.

Free of sharp edges safety in use
Smooth surface clean easily



Heavy duty Stainless Steel

Image: Detail of the heat plates, emphasizing their smooth, safe edges and heavy-duty stainless steel construction.

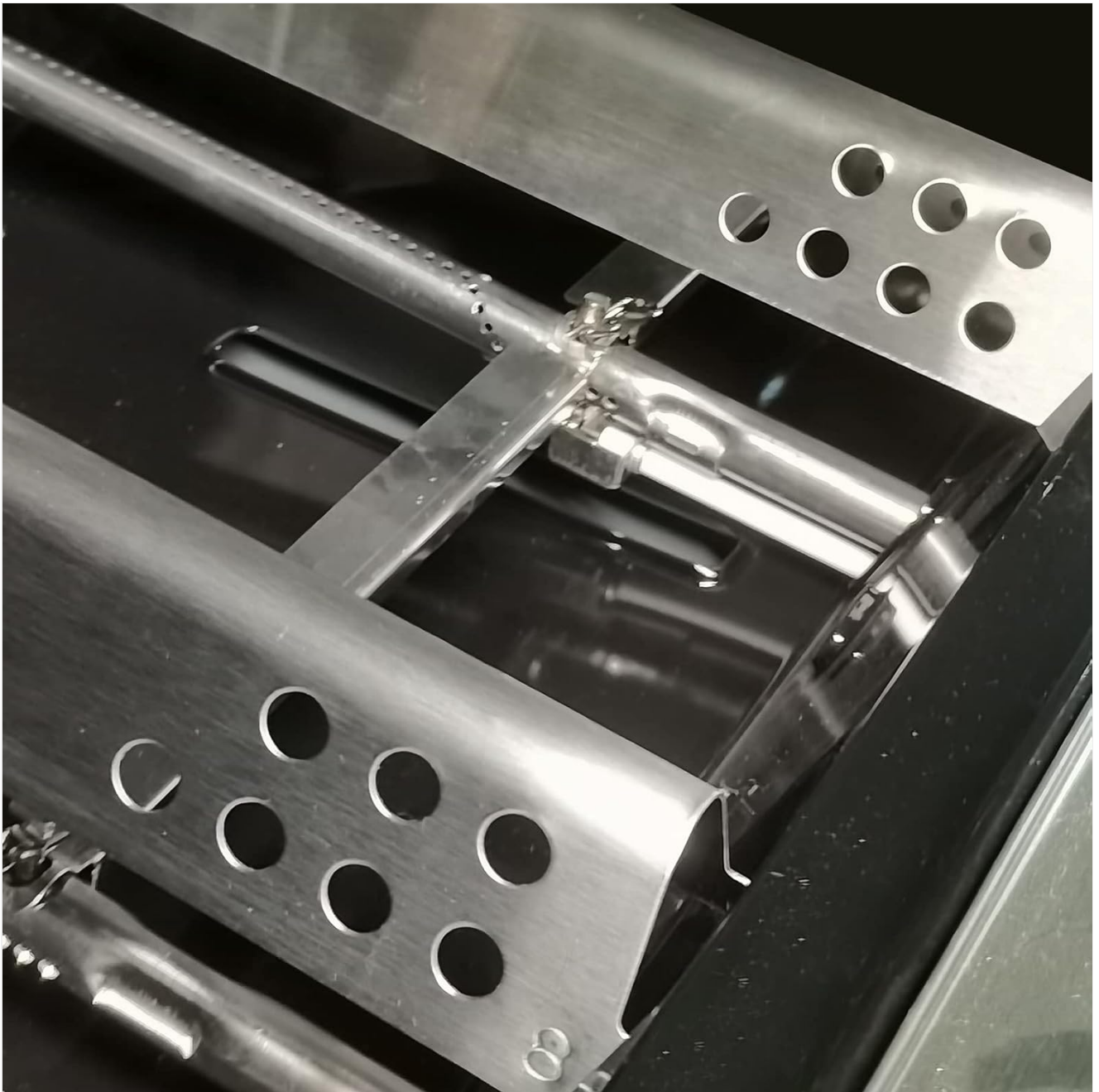


Image: An installed burner and heat plates inside a grill, showing how the components fit together.

6. **Replace Grill Grates:** Once all components are installed, carefully place the grill grates back into position.
7. **Initial Burn-in:** After installation, it is recommended to perform an initial burn-in. Turn on the grill to a high setting and let it run for approximately 15 minutes. This helps to burn off any manufacturing residues or coatings on the new metal parts, ensuring they are ready for cooking.

OPERATING YOUR GRILL WITH NEW PARTS

With the new Uniflasy replacement parts, your grill should now operate with improved efficiency and heat distribution.

- **Even Heating:** The new stainless steel burners are designed to provide a consistent and even flame across the cooking surface, eliminating hot and cold spots.
- **Ignition:** The new igniters should ensure reliable and quick ignition of your grill burners.
- **Flame Appearance:** After installation and burn-in, the flames should appear blue and consistent, indicating proper gas combustion.



Image: Visual representation of proper flame distribution and heat plate function after installation.

MAINTENANCE

Regular maintenance will extend the life of your grill and its new replacement parts.

- **Cleaning Burners:** Periodically inspect burners for clogged ports. Use a wire brush or a stiff wire to clear any debris.
- **Cleaning Heat Plates:** The stainless steel heat plates are designed for easy cleaning. After the grill cools, scrape off any food residue and wipe with a damp cloth. Avoid abrasive cleaners that could scratch the surface.
- **General Grill Cleaning:** Keep the interior of your grill clean to prevent grease buildup, which can lead to flare-ups and damage to components.
- **Storage:** If storing the grill for an extended period, ensure all parts are clean and dry. Consider covering the grill to protect it from the elements.

TROUBLESHOOTING

Problem	Possible Cause	Solution
Uneven Heating	Clogged burner ports; improperly seated heat plates.	Clean burner ports with a wire brush. Ensure heat plates are correctly positioned over burners.
Burner Not Lighting	Igniter not sparking; gas flow issue; igniter wire disconnected.	Check igniter wire connections. Ensure gas supply is open. Verify igniter is positioned correctly near the burner.
Flames are Yellow or Orange	Improper air/gas mixture; dirty burner ports.	Clean burner ports. Ensure air shutters (if present on your grill model) are correctly adjusted.
Parts Don't Fit Perfectly	Incorrect grill model compatibility; old rusted parts hindering new installation.	Double-check your grill's model number against the compatibility list. Ensure all old, rusted components are fully removed and the grill frame is clear. The crossover tube is adjustable to accommodate slight variations.

PRODUCT SPECIFICATIONS

- **Product Dimensions:** 1 x 1 x 10 inches (approximate, for individual components)
- **Item Weight:** 2.12 pounds (total package)
- **Manufacturer:** Uniflasy
- **Model Number:** grill-burners
- **Material:** High-quality Stainless Steel (for burners and heat plates)
- **Crossover Tube Adjustment:** 5 to 9.5 inches

WARRANTY AND SUPPORT

Uniflasy stands behind the quality of its products. For specific warranty information or support, please refer to the product packaging or contact Uniflasy customer service directly. You can also visit the official Uniflasy store on Amazon for more information and contact options: [Uniflasy Amazon Store](#).

The buybox winner indicates a return policy of 30 days for refund/replacement, fulfilled by Amazon. Please check Amazon's return policy for the most current details.

