

Ideal Standard Ceratherm T100

Ideal Standard Ceratherm T100 Concealed Thermostatic Mixer for Shower

INSTRUCTION MANUAL

1. Introduction

This manual provides essential information for the safe and efficient installation, operation, and maintenance of your Ideal Standard Ceratherm T100 Concealed Thermostatic Mixer for Shower. Please read these instructions carefully before installation and retain them for future reference. This product is designed for use with the Ideal Standard Easy Box A1000NU built-in body, which must be ordered separately.

2. Safety Information

- **Professional Installation:** Installation of this product should only be carried out by a qualified professional plumber in accordance with local plumbing and building regulations.
- **Water Supply:** Ensure the main water supply is turned off before commencing any installation or maintenance work.
- **Temperature Settings:** The thermostatic mixer is designed to maintain a constant water temperature. Always test the water temperature before use, especially for children or individuals with sensitive skin.
- **Hot Water Safety:** Be aware of the risk of scalding. The mixer includes a safety stop to prevent accidental selection of excessively hot temperatures.
- **Product Integrity:** Do not modify the product in any way. Use only genuine Ideal Standard spare parts for repairs.

3. Product Overview

The Ideal Standard Ceratherm T100 is a concealed thermostatic mixer designed for shower applications. It features precise control over water flow and temperature, ensuring a comfortable and safe showering experience. This product consists of the external trim parts and the thermostatic cartridge, and requires the Ideal Standard Easy Box A1000NU built-in body for complete installation.



Figure 3.1: Front view of the Ideal Standard Ceratherm T100 Concealed Thermostatic Mixer. This image shows the chrome-plated finish and the two control handles for temperature and water flow.



Figure 3.2: View of the concealed mixer unit without the external trim. This illustrates the flush-mounted design where the main body is hidden within the wall.

Key Features:

- Thermostatic temperature control for consistent water temperature.
- Independent water flow control.
- Chrome-plated finish for durability and aesthetic appeal.
- Designed for flush-mounted installation, requiring the Easy Box A1000NU (sold separately).

4. Setup and Installation

Installation of the Ceratherm T100 concealed mixer requires the prior installation of the Ideal Standard Easy Box A1000NU built-in body. This manual covers the installation of the external parts only. It is crucial that all plumbing work is performed by a certified professional.

Installation Steps (External Parts):

1. **Prepare the Easy Box A1000NU:** Ensure the Easy Box A1000NU built-in body is correctly installed and secured within the wall, with all pipe connections made and tested for leaks.

2. **Install Thermostatic Cartridge:** Carefully insert the thermostatic cartridge into the Easy Box A1000NU according to the instructions provided with the Easy Box.
3. **Attach External Trim Plate:** Secure the chrome-plated trim plate to the Easy Box A1000NU, ensuring it is flush with the finished wall surface.
4. **Mount Control Handles:** Attach the temperature control handle and the flow control handle onto their respective spindles. Ensure they are correctly aligned and secured with any provided set screws.
5. **Test Functionality:** Turn on the main water supply and test the mixer for proper operation, checking for leaks, temperature accuracy, and flow control.

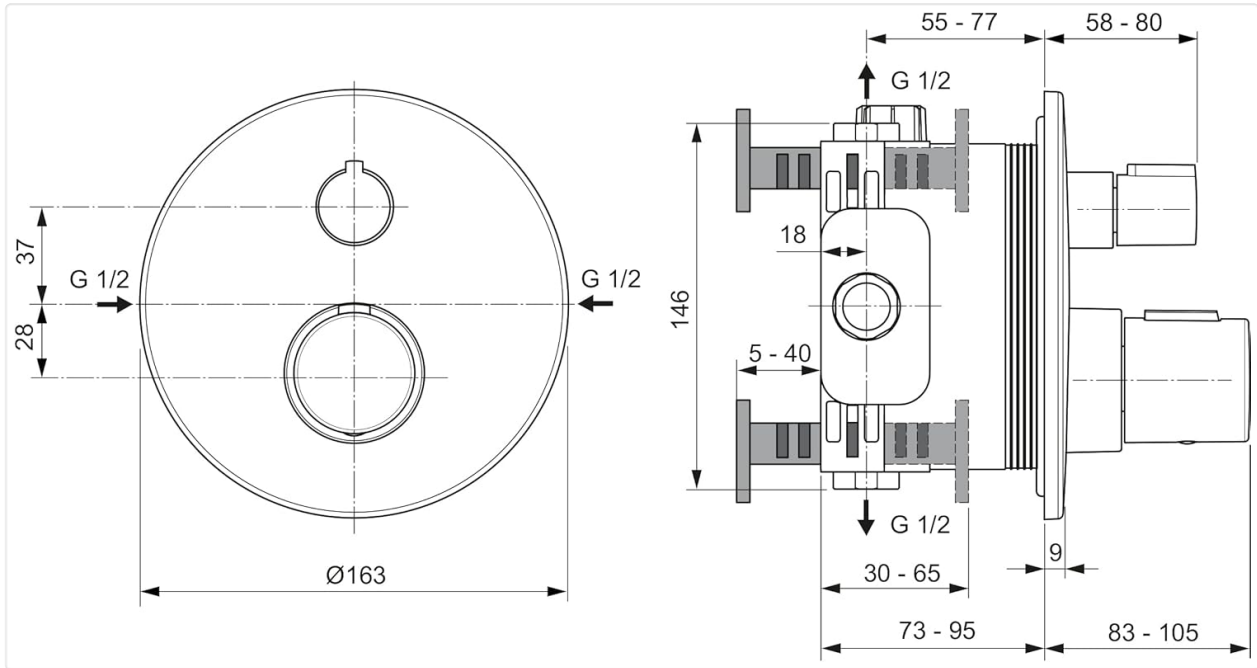


Figure 4.1: Technical drawing illustrating the dimensions and connections for the Ceratherm T100 mixer. This diagram provides critical measurements for rough-in and trim installation, including G 1/2 connections for water supply and outlet, and overall product dimensions.

5. Operating Instructions

The Ceratherm T100 mixer features two distinct controls for a personalized showering experience:



Figure 5.1: Front view of the Ceratherm T100 mixer showing the temperature control (bottom) and flow control (top) handles.

- **Temperature Control:** The lower handle controls the water temperature. Rotate it to adjust the temperature. The thermostatic cartridge will maintain the selected temperature, compensating for fluctuations in the hot and cold water supply. A safety stop is typically set around 38°C (100°F) to prevent accidental scalding. To exceed this temperature, you must press a button or override mechanism on the handle while turning.
- **Flow Control:** The upper handle controls the water flow rate. Rotate it to increase or decrease the water volume. Turn it fully clockwise to shut off the water flow.

6. Maintenance

Regular cleaning and maintenance will ensure the longevity and optimal performance of your Ceratherm T100 mixer.

Cleaning:

- Clean the chrome-plated surfaces regularly with a soft cloth and mild soap or a non-abrasive cleaner specifically designed for chrome finishes.
- Avoid using abrasive cleaners, scouring pads, or harsh chemicals (e.g., bleach, ammonia-based

cleaners) as these can damage the finish.

- Rinse thoroughly with clean water after cleaning and dry with a soft cloth to prevent water spots.

Thermostatic Cartridge:

- In areas with hard water, limescale buildup can affect the performance of the thermostatic cartridge. If you notice inconsistent temperature or reduced flow, the cartridge may need descaling or replacement.
- Maintenance or replacement of the thermostatic cartridge should be performed by a qualified professional.

7. Troubleshooting

If you encounter issues with your Ceratherm T100 mixer, refer to the following common problems and solutions. For complex issues, contact a qualified plumber.

- **No Water Flow or Low Flow:**

- Check if the main water supply is fully open.
- Inspect for blockages in the showerhead or hoses.
- The thermostatic cartridge might be clogged with debris or limescale. Professional cleaning or replacement may be required.

- **Inconsistent Water Temperature:**

- Ensure hot and cold water supplies are adequately pressurized.
- The thermostatic cartridge may need recalibration or descaling. This should be done by a professional.
- Check for issues with your hot water heater.

- **Water Not Hot Enough / Too Hot:**

- Verify the temperature setting on the handle.
- The thermostatic cartridge may require recalibration.
- Ensure your hot water supply is at the correct temperature.

- **Leaks from Handles or Trim Plate:**

- Tighten any visible screws on the trim plate or handles.
- O-rings or seals within the mixer may be worn. Professional inspection and replacement are recommended.

8. Specifications

Feature	Specification
Brand	Ideal Standard
Model Name	Ceratherm T100
Part Number	A5813AA
Mounting Type	Wall Mount

Recommended Uses	Shower
Finish Type	Chrome
Material	Metal (Brass)
Color	Chrome-plated
Number of Handles	1 (two separate controls)
Included Components	External parts only (requires Easy Box A1000NU)
Hole Count	1
Installation Type	Recessed (Flush-mounted)
Maximum Flow Rate	30 Liters Per Minute
Product Dimensions	0.39 x 6.42 x 6.42 inches (External Trim)
Item Weight	3.45 pounds
EU Spare Part Availability	10 Years

9. Warranty and Support

Ideal Standard products are manufactured to high-quality standards. This product benefits from a stated EU spare part availability duration of 10 years, ensuring long-term support for components.

For warranty claims, technical support, or to purchase genuine spare parts, please contact your local Ideal Standard dealer or visit the official Ideal Standard website. Always provide the model name (Ceratherm T100) and part number (A5813AA) when seeking support.