

Balay 3CG6112X3

BALAY 3CG6112X3 Integrated Microwave Oven User Manual

Model: 3CG6112X3

Brand: Balay

1. INTRODUCTION

This manual provides essential information for the safe and efficient operation, installation, and maintenance of your Balay 3CG6112X3 integrated microwave oven. Please read all instructions carefully before using the appliance and retain this manual for future reference.

2. SAFETY INSTRUCTIONS

Always follow basic safety precautions when using electrical appliances to reduce the risk of fire, electric shock, injury to persons, or exposure to excessive microwave energy.

- Do not attempt to operate this oven with the door open or if the door is damaged.
- Do not heat liquids or other foods in sealed containers as they are liable to explode.
- Only allow children to use the oven without supervision when adequate instructions have been given so that the child is able to use the oven in a safe way and understands the hazards of improper use.
- Regularly clean the oven and remove any food deposits.
- Do not use harsh abrasive cleaners or sharp metal scrapers to clean the oven door glass since they can scratch the surface, which may result in shattering of the glass.

3. SETUP AND INSTALLATION

The Balay 3CG6112X3 is designed for integrated installation, typically in a column with an oven. Ensure proper ventilation and adherence to the specified dimensions for safe and efficient operation.

3.1 Unpacking

Carefully remove all packaging materials. Inspect the microwave for any damage. Do not install a damaged

appliance.

3.2 Installation Dimensions

Refer to the diagram below for precise installation measurements. The appliance requires a minimum cavity height of 36.2 cm, width of 56 cm, and depth of 32 cm. Maximum cavity dimensions are 36.5 cm height, 56.8 cm width, and 32 cm depth.

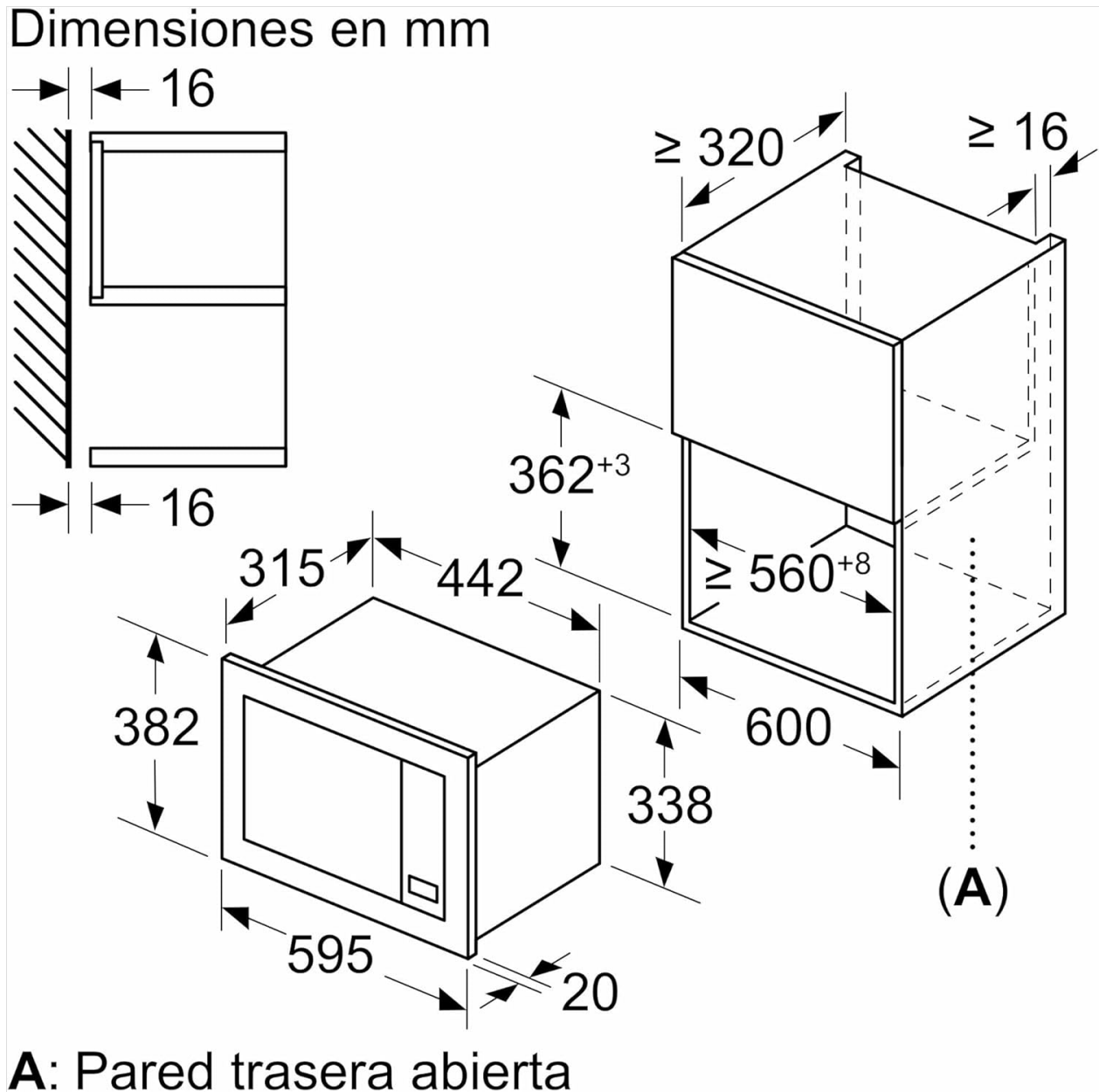


Figure 1: Detailed diagram showing the required dimensions in millimeters for integrating the Balay 3CG6112X3 microwave into kitchen cabinetry. This includes the appliance's external measurements and the necessary cavity space.

3.3 Electrical Connection

Ensure the power supply matches the specifications on the appliance rating plate. The appliance must be properly grounded. Consult a qualified electrician if in doubt.

4. OPERATING INSTRUCTIONS

Your Balay 3CG6112X3 microwave features intuitive controls for various cooking functions.



Figure 2: Front view of the Balay 3CG6112X3 integrated microwave oven, showcasing its black and stainless steel design with control knobs on the right side.

4.1 Control Panel Overview

The microwave is operated via two rotary control knobs. One knob typically controls power levels and functions, while the other sets the cooking time.

4.2 Microwave Function

The microwave offers 5 power levels to heat and cook food. Place food on the 27 cm diameter turntable for even heating.

1. Place food in a microwave-safe container on the turntable.
2. Close the oven door securely.
3. Select the desired power level using the upper control knob.
4. Set the cooking time using the lower control knob.
5. The oven will start automatically.

4.3 Grill Function

The integrated grill function allows for browning and crisping dishes.

1. Place food on the provided grill rack inside the microwave.
2. Select the grill function (refer to specific symbol on the control knob).
3. Set the desired grilling time.
4. Monitor food closely to prevent over-browning.



Figure 3: Interior view of the Balay 3CG6112X3 microwave, showing the glass turntable and the included metal grill rack positioned above it for grill functions.

4.4 LED Illumination

The interior LED lighting provides clear visibility of your food during cooking, consuming less energy than traditional lighting.

5. MAINTENANCE AND CLEANING

Regular cleaning ensures optimal performance and extends the lifespan of your microwave oven.

5.1 Aqualisis Cleaning Assistant

The Aqualisis cleaning assistant uses water to soften food residues, making cleaning easier, more economical, and ecological.

1. Pour approximately 400 ml of water into the base of the microwave cavity.
2. Add a drop of dish soap if desired.
3. Select the Aqualisis function (refer to specific symbol on the control knob).
4. Allow the cycle to complete.
5. Once the cycle is finished and the oven has cooled, wipe the interior with a soft cloth.



Figure 4: An illustration of the Aqualisis cleaning assistant in action, showing water droplets and a sponge inside the microwave cavity, indicating an easy and eco-friendly cleaning process.

5.2 General Cleaning

- Clean the exterior with a soft, damp cloth. Do not use abrasive cleaners.
- The turntable and grill rack can be removed and washed with warm soapy water.
- Wipe the door seals and adjacent parts regularly to remove any spills or splatter.

6. TROUBLESHOOTING

Before contacting customer service, review the following common issues and solutions:

Problem	Possible Cause	Solution
Oven does not start	No power supply; Door not closed properly	Check power plug and circuit breaker; Ensure door is firmly closed.
Food not heating	Incorrect power level or cooking time; Microwave-safe container not used	Adjust settings; Use appropriate cookware.
Turntable not rotating	Turntable not correctly placed; Obstruction	Reposition turntable; Remove any obstructions.
Unusual noise during operation	Loose components; Food container touching oven walls	Check for loose parts; Ensure proper placement of containers.

7. SPECIFICATIONS

Key technical specifications for the Balay 3CG6112X3 integrated microwave oven:

- **Model Number:** 3CG6112X3
- **Capacity:** 20 Liters
- **Wattage:** 700 Watts
- **Dimensions (H x W x D):** 38.2 x 59.5 x 33.5 cm
- **Turntable Diameter:** 27 cm
- **Material:** Stainless Steel, Glass
- **Special Features:** Grill Function, LED Illumination, Aqualisis Cleaning Assistant

- **Included Components:** Grill Rack

8. WARRANTY AND SUPPORT

For warranty information and customer support, please refer to the warranty card included with your product or visit the official Balay website. Keep your purchase receipt as proof of purchase.

For service inquiries or technical assistance, please contact Balay customer service through their official channels.