

Balay 3CW5179B2

Balay 3CW5179B2 Compact Oven with Integrated Microwave User Manual

This manual provides essential information for the safe and efficient use of your Balay 3CW5179B2 compact oven with integrated microwave. Please read it thoroughly before installation and operation.

1. INTRODUCTION

Thank you for choosing a Balay appliance. Your new 3CW5179B2 compact oven with integrated microwave is designed to offer versatility and convenience in your kitchen. This appliance combines the functionalities of a traditional oven with the speed of a microwave, featuring intuitive controls and a sleek design.

To ensure optimal performance and safety, please familiarize yourself with all instructions and warnings contained within this manual. Keep this manual for future reference.

2. SAFETY INFORMATION

Always adhere to the following safety guidelines to prevent injury or damage to the appliance:

- Ensure the appliance is correctly installed by a qualified technician according to the provided installation instructions.
- Do not operate the oven if the door seals are damaged or if the appliance is malfunctioning.
- Never heat sealed containers in the microwave, as they may explode.
- Use oven mitts when handling hot dishes or accessories.
- Keep children away from the appliance during operation and when it is cooling down.
- Regularly clean the oven to prevent grease buildup, which can be a fire hazard.
- Do not use abrasive cleaners or sharp metal scrapers to clean the oven door glass, as they can scratch the surface and lead to shattering.

3. PRODUCT OVERVIEW

The Balay 3CW5179B2 is a compact built-in oven designed for modern kitchens, offering both conventional oven and microwave functionalities. Its sleek Crystal Series design and intuitive touch controls enhance user experience.



Figure 1: Front view of the Balay 3CW5179B2 compact oven.

Key Features:

- Integrated Microwave Functionality: Combines oven and microwave for versatile cooking.
- Glass Touch Slider Control: Intuitive and modern interface for easy operation.
- AutoChef with 15 Pre-programmed Recipes: Simplifies cooking your favorite dishes.
- Aqualisis Cleaning Assistant: Facilitates effortless oven cleaning.
- 5 Cooking Functions: Includes Microwave, Full Grill, Keep Warm, Turbo Grill, and Hot Air.
- Crystal Series Design: Elegant white finish with a hinged door for comfortable and safe access.
- 44-Liter Capacity: Spacious interior for various cooking needs.
- LED Interior Lighting: Provides clear visibility of food during cooking.
- Included Grill Rack: For grilling and roasting.



Figure 2: Detailed view of the touch control panel.

4. SETUP AND INSTALLATION

Proper installation is crucial for the safe and efficient operation of your Balay oven. This appliance is designed for built-in installation.

Dimensions and Cabinet Requirements:

The oven has a capacity of 44 liters and external dimensions of 45.4 cm (height) x 59.4 cm (width) x 57 cm (depth). Ensure your cabinet opening meets the required specifications for a secure fit and adequate ventilation.

Dimensiones en mm

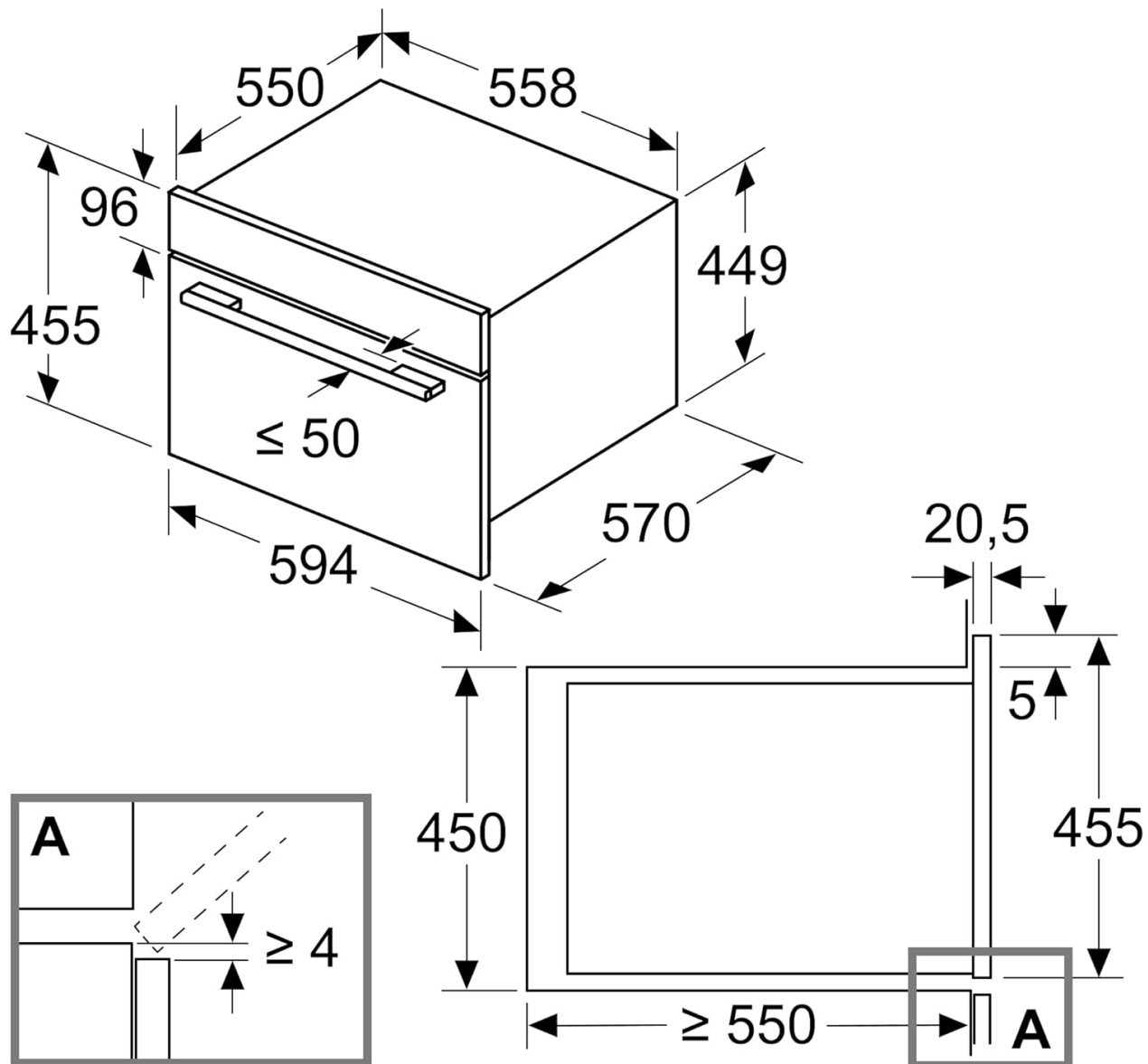


Figure 3: Front and side dimensions for installation (in mm).



Figure 4: Cabinet dimensions and ventilation requirements.

Ensure sufficient ventilation around the appliance as indicated in the diagrams to prevent overheating. The rear wall of the cabinet should be open, and a minimum plinth ventilation of 50 cm² is required.

5. OPERATING INSTRUCTIONS

Your Balay oven features a user-friendly glass touch slider control for selecting functions and adjusting settings.

Basic Operation:

1. Turn on the appliance using the power button.
2. Select your desired cooking function using the touch icons.
3. Adjust temperature or microwave power using the slider control.
4. Set the cooking time.
5. Press start to begin cooking.

AutoChef Function:

The AutoChef function provides 15 pre-programmed recipes. Simply select the desired recipe, and the oven will automatically set the optimal cooking mode, temperature, and time. Refer to the full appliance manual for a complete list of AutoChef recipes and their usage.

Using the Flex Rails:

The oven is equipped with 100% extendable and easily interchangeable Flex Rails, allowing for perfect visibility and safe access to the oven interior. To install or adjust the rails, simply fix them at the desired level on the side rack.

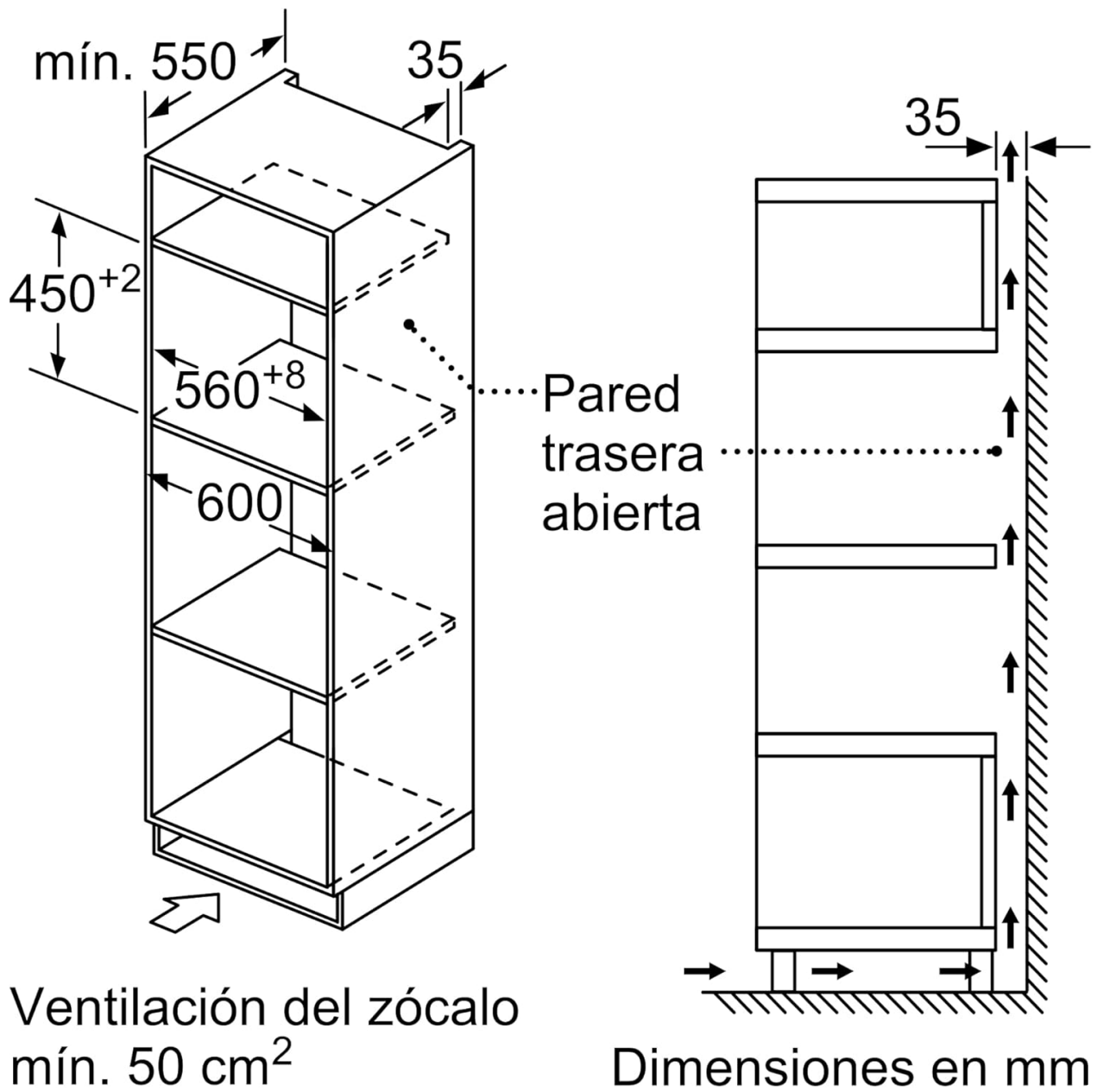


Figure 5: Oven interior with extendable Flex Rails.



Figure 6: Oven interior with door open.

Official Product Video:

Your browser does not support the video tag.

Video 1: An overview of Infiniton's technology and design philosophy, showcasing various home appliances. This video is provided by a seller and offers a general look at modern appliance design.

6. COOKING FUNCTIONS

The Balay 3CW5179B2 offers a range of cooking functions to suit diverse culinary needs:

- **Microwave:** For rapid heating, defrosting, and cooking.
- **Full Grill:** Ideal for grilling larger quantities of food, such as steaks or sausages.
- **Keep Warm:** Maintains food at a serving temperature without overcooking.
- **Turbo Grill:** Combines grill and fan for faster and more even grilling results.
- **Hot Air:** Circulates heat evenly throughout the oven for baking and roasting on multiple levels.

7. MAINTENANCE AND CLEANING

Regular cleaning ensures the longevity and hygiene of your oven. The Balay 3CW5179B2 features the Aqualisis cleaning assistant for easy maintenance.

Aqualisis Cleaning Assistant:

Aqualisis is an eco-friendly cleaning system that uses water vapor to loosen food residues. To use, pour a small amount of water into the oven cavity, select the Aqualisis function, and let the oven do the work. Once the cycle is complete and the oven has cooled, simply wipe away the softened dirt with a cloth.



Figure 7: Aqualisis cleaning assistant in action.

General Cleaning:

- Clean the exterior surfaces with a soft, damp cloth and mild detergent.

- Remove and clean the grill rack and other accessories after each use.
- Avoid using harsh chemicals or abrasive materials that could damage the oven's surfaces.

8. TROUBLESHOOTING

If you encounter any issues with your Balay oven, refer to the following common troubleshooting tips before contacting customer service.

Common Issues:

- **Oven not heating:** Check if the appliance is properly plugged in and if the circuit breaker has tripped. Ensure the correct cooking function and temperature are selected.
- **Microwave not working:** Verify the door is fully closed. Check if the power level and time are set correctly.
- **Uneven cooking:** Ensure food is placed centrally and that the correct cooking function (e.g., Hot Air for even distribution) is selected. Avoid overcrowding the oven.
- **Display not working:** Try resetting the appliance by turning off the power at the main switch for a few minutes, then turning it back on.

If the problem persists after attempting these solutions, please contact Balay customer support.

9. TECHNICAL SPECIFICATIONS

Feature	Specification
Brand	Balay
Model Number	3CW5179B2
Product Dimensions (H x W x D)	45.4 cm x 59.4 cm x 57 cm
Weight	35.18 kg
Capacity	44 Liters
Wattage	900 watts
Material	Steel
Color	White
Installation Type	Built-in
Country of Origin	Spain
Accessories	Grill rack

10. WARRANTY AND SUPPORT

Your Balay 3CW5179B2 oven is covered by a manufacturer's warranty. Please refer to the warranty card included with your purchase for specific terms and conditions, including the warranty period and coverage details.

For technical assistance, spare parts, or any questions not covered in this manual, please contact Balay customer support. You can find contact information on the official Balay website or in your product documentation.