

Furinno 15115WOKSS

Furinno JAYA TV Stand Instruction Manual

Model: 15115WOKSS | Brand: Furinno

INTRODUCTION

The Furinno JAYA TV Stand is designed to complement modern living spaces, offering a functional and stylish solution for your entertainment needs. This 3-tier entertainment center features a spacious top panel suitable for flat-panel TVs up to 50 inches, open display shelves for media equipment, and side storage compartments. Constructed from durable composite wood and stainless steel tubes, it provides a lightweight yet sturdy structure. This manual provides essential information for assembly, usage, and maintenance to ensure optimal performance and longevity of your TV stand.

SAFETY INFORMATION

- Keep the TV stand away from naked flames or direct heat sources to prevent damage or fire hazards.
- Ensure the TV stand is placed on a stable, level surface to prevent tipping.
- Do not exceed the maximum weight capacity of the top panel (30 lb / 13.6 kg).
- Supervise children around the TV stand to prevent accidents.

PACKAGE CONTENTS

Before beginning assembly, verify that all components are present and undamaged. The package should include:

- Assembly Instructions
- Hardware Pack (screws, connectors, etc.)
- Shelf Panels (top, middle, bottom, side panels)
- Stainless Steel Tubes

SPECIFICATIONS

Feature	Detail
Model Number	15115WOKSS
Dimensions (D x W x H)	18.9 x 47.24 x 20.07 inches (48 x 119.9 x 51.1 cm)
Material	Engineered Wood, Stainless Steel
Color	White Oak/Stainless Steel
Weight Capacity (Top Panel)	30 lb (13.6 kg)
Number of Shelves	4 (including top and bottom)
Assembly Required	Yes

Note: There may be a slight difference of less than 0.5 inches for all measurements.



Image: Dimensional diagram of the TV stand, illustrating its depth, width, and height in inches and centimeters.

SETUP AND ASSEMBLY

The Furinno JAYA TV Stand is designed for easy assembly. Follow the detailed instructions provided in the included hardware pack. While assembly is generally straightforward, a screwdriver may be required for certain steps. It is recommended to assemble the unit in the room where it will be used.

1. Unpack all components and lay them out on a clean, soft surface to prevent scratches.
2. Identify each part using the diagrams in the assembly instructions.
3. Attach the stainless steel tubes to the designated shelf panels as per the instructions.
4. Secure all connections firmly, but do not overtighten.
5. Once assembled, carefully move the TV stand to its desired location.



Image: A fully assembled Furinno JAYA TV Stand, showcasing its white oak finish and stainless steel tubes.

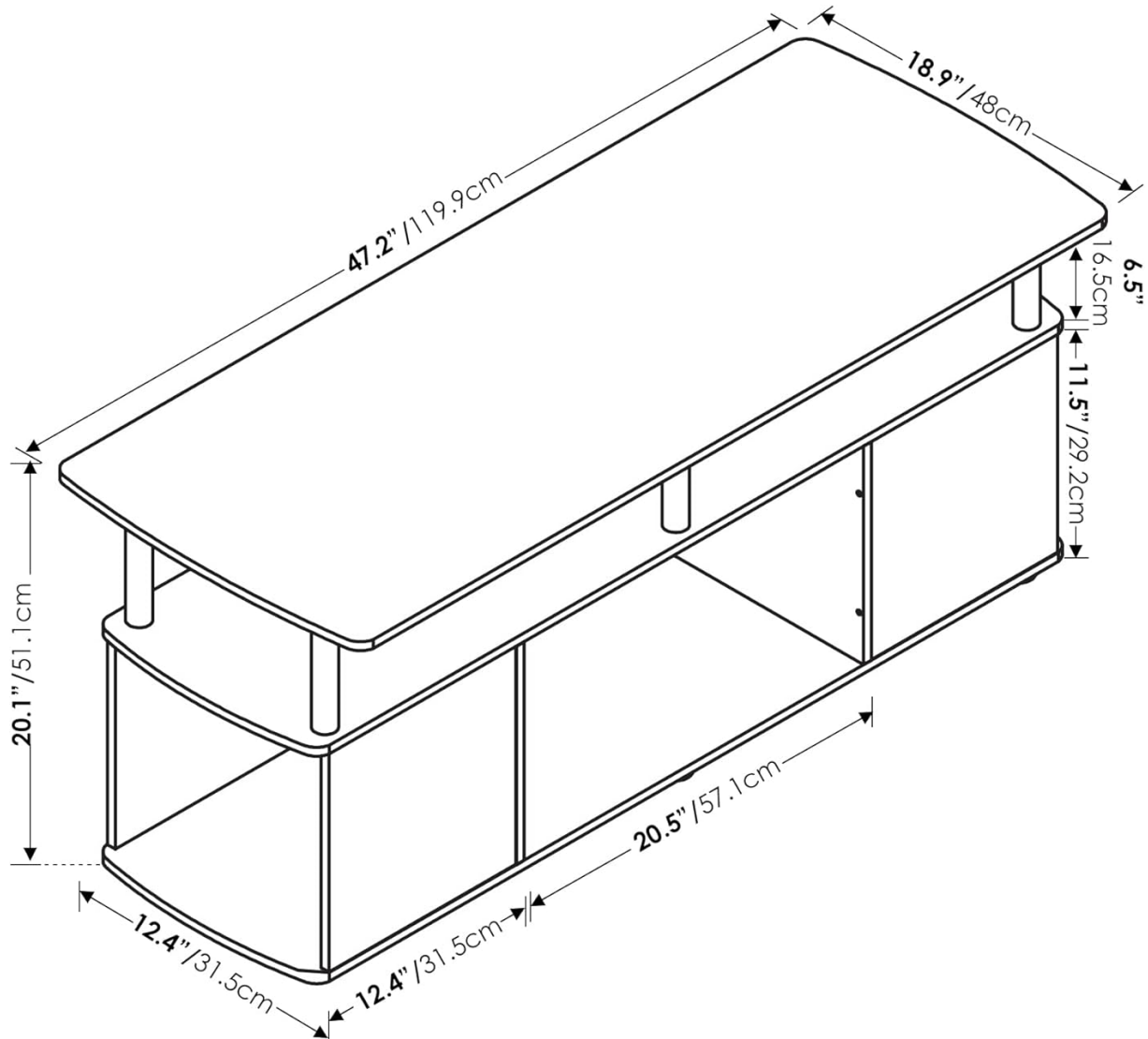


Image: An angled view of the TV stand, displaying its open shelves and side compartments filled with media devices, books, and decorative elements.

OPERATING INSTRUCTIONS

The Furinno JAYA TV Stand is designed for straightforward use as an entertainment center.

- **TV Placement:** Place your flat-panel TV (up to 50 inches) securely on the top panel. Ensure the TV's base fits within the dimensions of the top surface and does not exceed the 30 lb (13.6 kg) weight limit.
- **Media Storage:** Utilize the open middle shelf for media players, gaming consoles, or soundbars. The two side compartments with doors are ideal for storing smaller items like CDs, DVDs, games, or remote controls, keeping them organized and out of sight.
- **Cable Management:** While not explicitly designed with cable management features, cables can be routed discreetly behind the unit or through the open back of the shelves.



Note : There is a possible difference <0.5" for all measurements.

Image: The TV stand integrated into a living room, holding a television and various decorative items, demonstrating its practical use.

MAINTENANCE

Proper care will help maintain the appearance and extend the lifespan of your Furinno JAYA TV Stand.

- **Cleaning:** Wipe clean with a clean, damp cloth. Avoid using harsh chemicals, abrasive cleaners, or polishes that may damage the finish.
- **Spills:** Immediately wipe up any spills to prevent staining or damage to the engineered wood.
- **Sunlight:** Avoid prolonged exposure to direct sunlight, which can cause fading or discoloration over time.
- **Heat:** Do not place hot items directly on the surface without protective coasters.

TROUBLESHOOTING

If you encounter any issues with your Furinno JAYA TV Stand, consider the following common solutions:

- **Wobbling/Instability:** Ensure all screws and connections are tightened. Verify the stand is on a level surface. Adjust any leveling feet if present.
- **Missing Parts:** Double-check the packaging and compare with the parts list in the assembly instructions. Contact customer support if parts are genuinely missing.
- **Assembly Difficulty:** Review the assembly instructions carefully. Sometimes, parts may appear similar but have subtle differences. Ensure correct orientation of panels and tubes.

WARRANTY

The Furinno JAYA TV Stand comes with a **1-year limited manufacturer's warranty**. This warranty covers defects in materials and workmanship under normal use. Please retain your proof of purchase for any warranty claims. For specific details regarding coverage and how to make a claim, refer to the warranty information included with your product or contact Furinno customer support.

SUPPORT

For further assistance, questions, or to report any issues with your Furinno JAYA TV Stand, please visit the official Furinno website or contact their customer service department. Contact information can typically be found on the product packaging or on the manufacturer's website.

PRODUCT VIDEOS

Furinno Stainless Steel Features

Your browser does not support the video tag.

Video: This video highlights the rust-proof stainless steel tubes used in Furinno products, emphasizing their durability and resistance to corrosion.

Furinno Living Room Collection Overview

Your browser does not support the video tag.

Video: An overview of the Furinno Living Room Collection, showcasing various furniture pieces, including TV stands, in different home settings.

