

Whirlpool W11351728

Whirlpool W11351728 Dryer Control Panel Instruction Manual

Model: W11351728

[Information](#) [Compatibility](#) [Installation](#) [Introduction](#) [Safety](#) [Operation](#) [Maintenance](#) [Troubleshooting](#) [Specifications](#) [Warranty](#)
& [Support](#)

1. INTRODUCTION

This manual provides essential information for the installation, maintenance, and troubleshooting of the Whirlpool W11351728 Dryer Control Panel. This genuine OEM part is designed to house the selection buttons and display, restoring the full functionality of your dryer's user interface.

2. SAFETY INFORMATION

WARNING: Before attempting any installation or repair, ensure the dryer is completely disconnected from its power source to prevent electric shock or injury. It is recommended that appliance repairs be performed by qualified technicians. Always refer to your appliance's service manual for specific instructions.

- Always disconnect power before servicing.
- Wear appropriate personal protective equipment (PPE).
- Handle components carefully to avoid damage.
- Ensure all connections are secure before restoring power.

3. COMPATIBILITY

The Whirlpool W11351728 Dryer Control Panel is a genuine OEM part compatible with various Whirlpool brand dryers. It replaces the following part numbers:

- W11296385
- W11314472
- W11321064

To ensure correct part selection, always verify compatibility with your specific dryer model using the manufacturer's documentation or service manual.

4. INSTALLATION INSTRUCTIONS

The following steps provide a general guide for replacing a dryer control panel. Specific procedures may vary by dryer model. Always consult your dryer's service manual for detailed instructions.

1. **Disconnect Power:** Unplug the dryer from the electrical outlet or turn off the circuit breaker supplying power to the dryer.
2. **Access Control Panel:** Depending on your dryer model, you may need to remove the top panel or front console to access the control panel assembly.
3. **Document Connections:** Before disconnecting any wires, take clear photos or make diagrams of all wire connections to the existing control panel. This will aid in correct reassembly.
4. **Disconnect Wires:** Carefully disconnect all wire harnesses and connectors from the old control panel.
5. **Remove Old Panel:** Unscrew or unclip the old control panel from its mounting brackets.
6. **Install New Panel:** Position the new Whirlpool W11351728 control panel into place and secure it with screws or clips.
7. **Reconnect Wires:** Using your photos or diagrams, carefully reconnect all wire harnesses and connectors to the new control panel. Ensure all connections are firm and correctly seated.
8. **Reassemble Dryer:** Reattach any panels or consoles that were removed to access the control panel.
9. **Restore Power:** Plug the dryer back into the electrical outlet or turn on the circuit breaker.
10. **Test Functionality:** Power on the dryer and test all functions to ensure the new control panel is operating correctly.

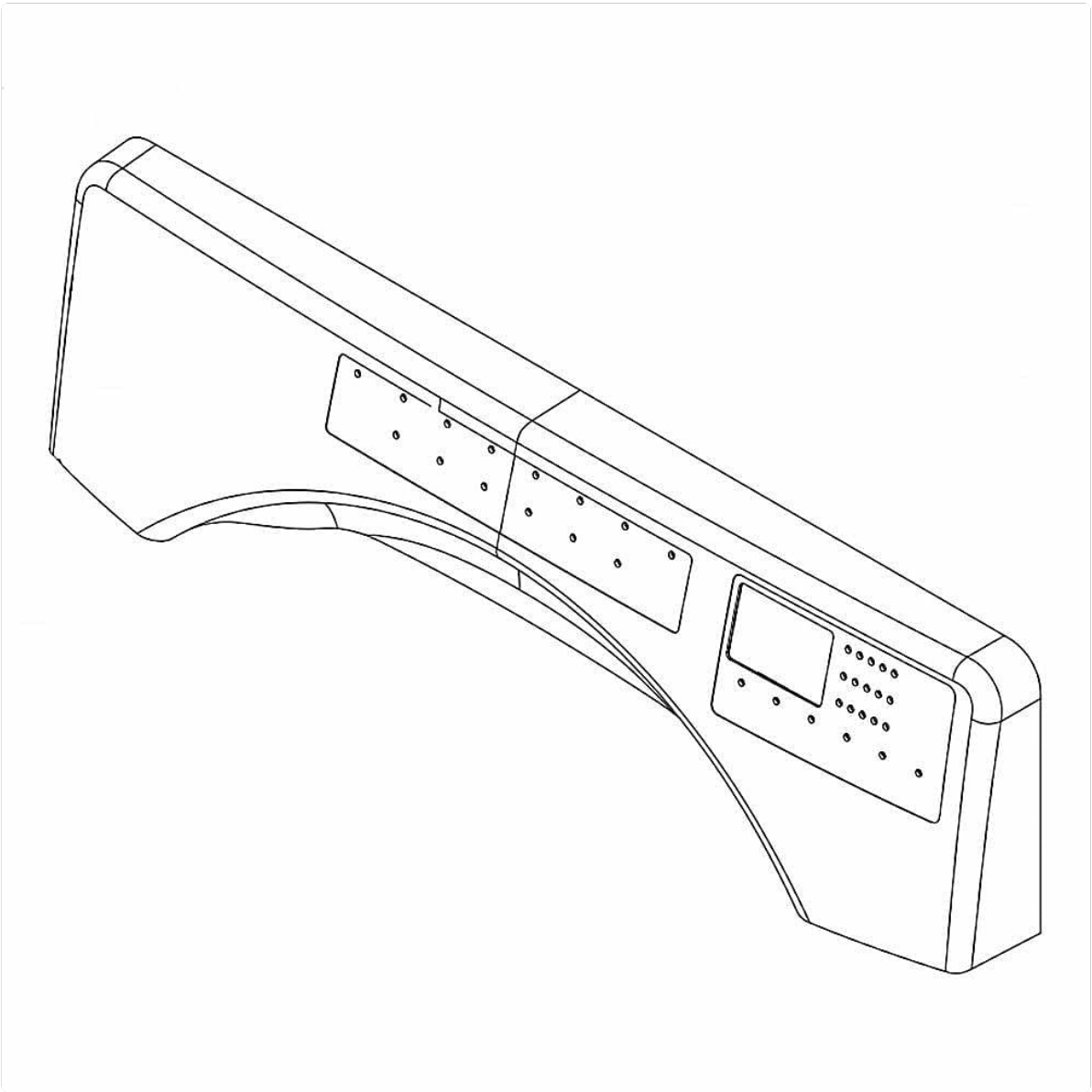


Image 1: The Whirlpool W11351728 Dryer Control Panel. This image shows the front view of the control panel, highlighting the button layout and display area.



Image 2: Rear view of the Whirlpool W11351728 Dryer Control Panel. This image displays the back of the panel, showing the various connection points for wiring harnesses.

5. OPERATING INSTRUCTIONS

The W11351728 is a replacement control panel that restores the original operational functionality of your dryer. For specific operating instructions regarding cycles, settings, and features, please refer to the user manual provided with your Whirlpool dryer appliance.

6. MAINTENANCE

To ensure the longevity and proper function of your dryer's control panel:

- **Cleaning:** Periodically wipe the surface of the control panel with a soft, damp cloth. Avoid abrasive cleaners or harsh chemicals that could damage the finish or electronic components.
- **Inspection:** Regularly inspect the control panel for any signs of physical damage, loose buttons, or unresponsive display segments.
- **Environmental Conditions:** Ensure the dryer is operated in an environment free from excessive moisture or extreme temperatures, which can affect electronic components.

7. TROUBLESHOOTING

If your dryer is not functioning correctly after replacing the control panel, consider the following:

- **No Power:**
 - Check if the dryer is properly plugged into a working electrical outlet.
 - Verify that the circuit breaker for the dryer has not tripped.
- **Unresponsive Buttons/Display:**
 - Ensure all wire harnesses are securely connected to the control panel and the main control board.
 - Carefully re-check the connections against your installation photos or diagrams.
- **Incorrect Functionality:**
 - Confirm that the correct control panel model (W11351728) was installed for your specific dryer.
 - If the issue persists, it may indicate a problem with another component of the dryer or require professional diagnosis.

For complex issues, it is advisable to consult a qualified appliance repair technician.

8. SPECIFICATIONS

Feature	Detail
Manufacturer	Whirlpool
Part Number	W11351728
Item Weight	1 pounds
Product Dimensions	1 x 1 x 1 inches
Item Model Number	W11351728
Item Package Quantity	1
Included Components	Single Whirlpool W11351728 Dryer Control Panel
Date First Available	April 20, 2022

9. WARRANTY AND SUPPORT

Warranty: The manufacturer states "Not Applicable" for warranty description for this part. Please refer to your original dryer's warranty information or contact Whirlpool directly for specific warranty details regarding replacement parts.

Support: For further assistance, technical support, or to locate a qualified service technician, please visit the official Whirlpool website or contact their customer service department.