

Fransiton 7771

Fransiton Waterfall Bathroom Faucet Instruction Manual

Model: 7771

INTRODUCTION

This manual provides detailed instructions for the installation, operation, and maintenance of your Fransiton Waterfall Bathroom Faucet. Please read this manual thoroughly before installation and retain it for future reference to ensure proper function and longevity of your product.

SAFETY INFORMATION

- Always turn off the main water supply before beginning any installation or maintenance to prevent water damage.
- Wear appropriate personal protective equipment, such as safety glasses and gloves, during installation.
- If you are unsure about any part of the installation process, consult a qualified plumber.
- Ensure all connections are secure to prevent leaks. Do not overtighten fittings, as this can cause damage.
- Keep small parts away from children to avoid choking hazards.

PACKAGE CONTENTS

Verify that all components are present and undamaged before beginning installation:

- Waterfall Faucet Body (Brushed Nickel)
- 6-inch Deck Plate (for 3-hole installation)
- Pop-up Drain Assembly
- Hot and Cold Water Supply Lines (2 x 23.6 inches, 9/16" pipe connection)
- Mounting Hardware (gasket, washer, mounting nut)
- Instruction Manual (this document)



Image: All components included in the Fransiton Waterfall Bathroom Faucet package, laid out for inspection. This includes the faucet body, deck plate, pop-up drain, water supply lines, and mounting hardware.

SPECIFICATIONS

Feature	Detail
Brand	Fransiton
Model Name	7771
Mounting Type	Deck Mount
Finish Type	Brushed Nickel
Material	Stainless Steel, Zinc
Number of Handles	1
Hole Count	1 or 3 (with deck plate)

Spout Design	Waterfall
Spout Height	135 mm (5.3 inches)
Spout Reach	6 inches
Item Weight	2.8 pounds
Product Dimensions	6.5"D x 6.3"W x 6.7"H
Hose Length	23.62 inches
Mounting Hole Diameter	1.25 - 1.6 inches
Max Base Plate Thickness	1.85 inches

**Easy to assemble set up
in 15-30 minutes**



**Includes all necessary accessories,
no professional plumber assembly required**

Image: Detailed diagram showing the dimensions of the Fransiton Waterfall Bathroom Faucet, including spout height, spout reach, and base measurements.



Image: Diagram illustrating the required hole configurations for installation, showing options for single-hole and three-hole sinks with a 4-inch centerset width, along with maximum thickness and hole diameter specifications.

SETUP AND INSTALLATION

Pre-Installation

1. Turn off the main water supply to the bathroom.
2. Clear the area under the sink for easy access.
3. Ensure all package contents are present and undamaged.

Tools Required (Not Included)

- Adjustable Wrench
- Phillips Head Screwdriver
- Plumber's Putty or Silicone Sealant
- Flashlight (optional)

Faucet Installation Steps

1. **Prepare the Sink Hole:** For 3-hole sinks, place the deck plate over the center hole. For 1-hole sinks,

the deck plate is optional. Ensure the mounting hole diameter is between 1.25-1.6 inches and the maximum base plate thickness is 1.85 inches.

2. **Install the Faucet:** Insert the faucet body through the hole(s) in the sink or deck plate. Ensure the faucet is properly oriented.
3. **Secure the Faucet:** From underneath the sink, place the rubber gasket, then the metal washer, and finally thread the mounting nut onto the faucet shank. Tighten the mounting nut securely with an adjustable wrench, but do not overtighten.
4. **Connect Water Supply Lines:** Attach the hot and cold water supply lines (23.6 inches, 9/16" pipe connection) to the corresponding inlets on the faucet body. Connect the other ends to your hot and cold water supply valves. Hand-tighten first, then use a wrench for a quarter turn to ensure a leak-free seal.

Pop-up Drain Installation Steps

1. **Disassemble Drain:** Separate the pop-up drain components.
2. **Apply Sealant:** Apply plumber's putty or silicone sealant around the flange of the drain assembly.
3. **Insert Drain:** Insert the drain assembly into the sink's drain hole from above.
4. **Secure Drain:** From underneath the sink, attach the rubber washer and mounting nut to the drain body. Tighten securely to create a watertight seal.
5. **Connect to P-Trap:** Connect the bottom of the pop-up drain assembly to your existing P-trap.

FULL SURFACE OIL SEAL

Preventing rust is key to the life of your faucet



OTHER BRANDS
Easy to rust & leave water stains & fingerprints

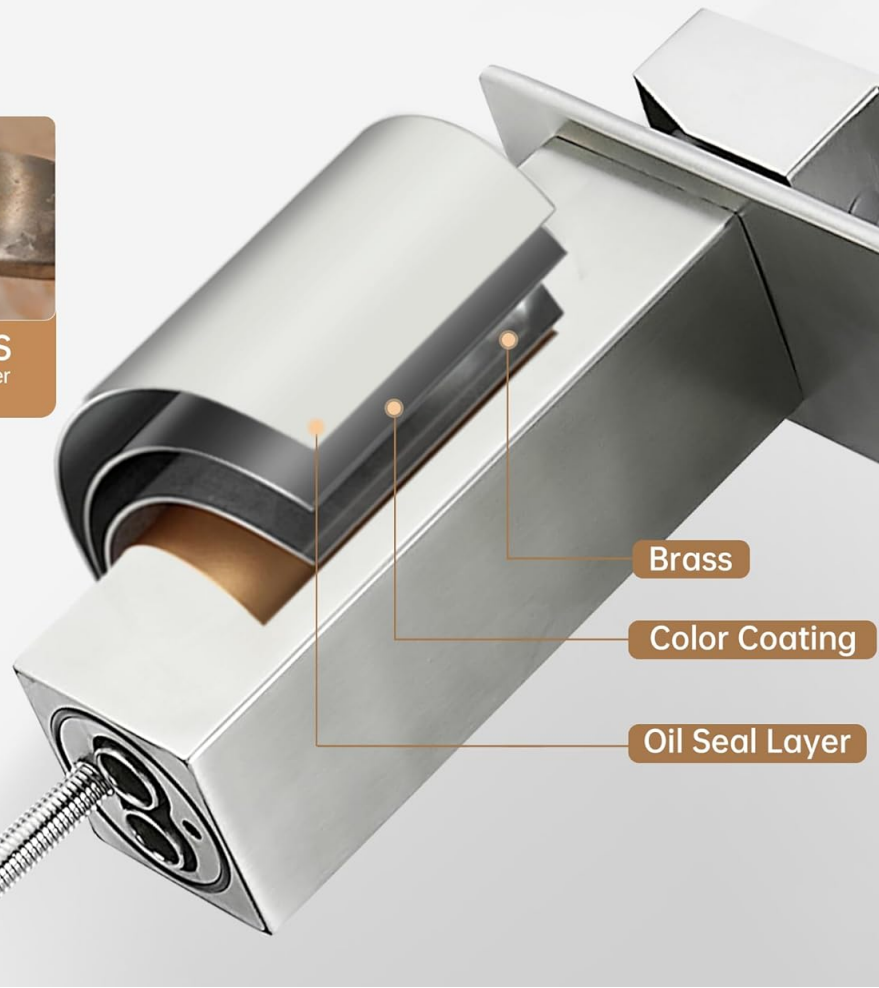


Image: Visual guide for installing the pop-up drain, showing how to disassemble, insert into the sink, and secure it from underneath.

Post-Installation

1. Slowly turn on the main water supply.
2. Check all connections for leaks. Tighten any leaking connections gently.
3. Run water through the faucet for a few minutes to flush out any debris and ensure proper operation.

OPERATING INSTRUCTIONS

The Fransiton Waterfall Bathroom Faucet features a single handle for controlling both water flow and temperature.

- **Water Flow:** Lift the handle upwards to increase water flow. Push it downwards to decrease or stop the flow.
- **Water Temperature:** Move the handle to the left for hot water and to the right for cold water. Adjust the position between left and right to achieve the desired temperature.
- **Waterfall Spout:** The faucet is designed to deliver a gentle, wide waterfall stream.



Image: The Fransiton Waterfall Bathroom Faucet with water flowing in a wide, gentle cascade into a sink, demonstrating its primary function.

MAINTENANCE

Regular cleaning and maintenance will ensure the longevity and optimal performance of your faucet.

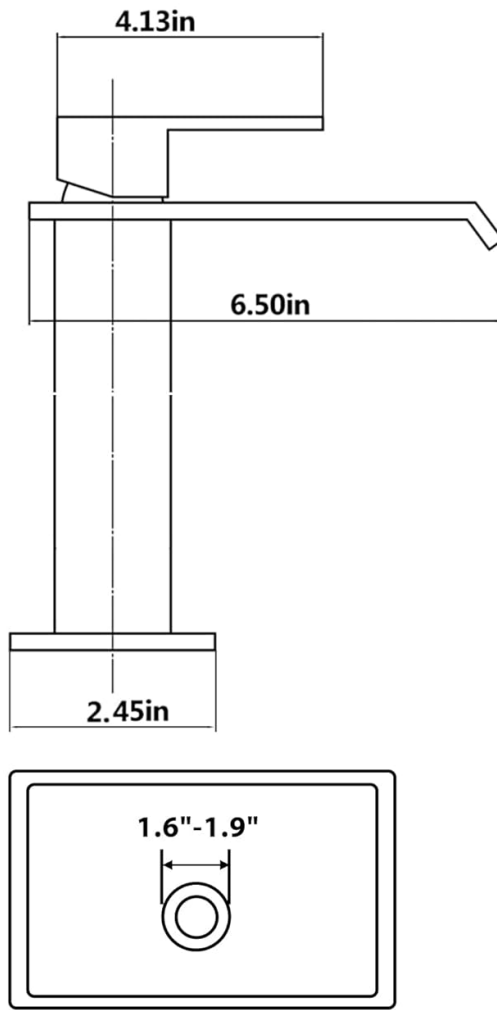
- **Cleaning the Finish:** Clean the brushed nickel finish with a soft, damp cloth. Avoid abrasive cleaners, harsh chemicals, or scouring pads, as these can damage the finish.
- **Preventing Water Spots:** The faucet features an oil-sealed exterior to resist fingerprints and water stains. To maintain its appearance, wipe the faucet dry after each use.
- **Pop-up Drain Cleaning:** The pop-up drain is removable for easy cleaning. Periodically remove it to clear any accumulated hair or debris to prevent clogging.
- **Ceramic Valve:** The drip-free ceramic valve is designed for durability and typically requires no user maintenance.

High quality
pop drain
stopper included



Image: Close-up of the pop-up drain stopper, demonstrating its push-button functionality and how it can be easily removed for cleaning to prevent clogs.

Product Size



1-3/4" Bathroom Sink Drain

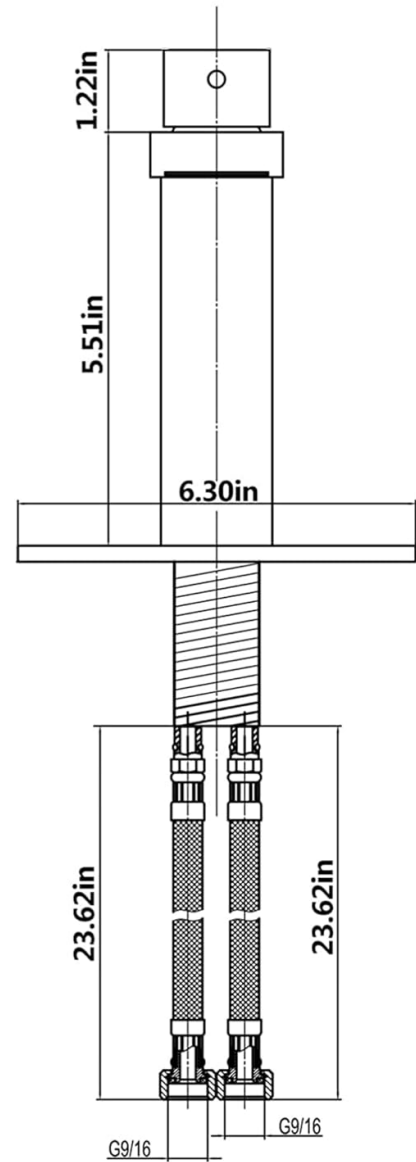


Image: Cross-section diagram illustrating the multi-layer construction of the faucet, highlighting the brass core, color coating, and the full surface oil seal layer designed to prevent rust, water stains, and fingerprints.

TROUBLESHOOTING

Problem	Possible Cause	Solution
Low Water Flow	Partially closed water supply valves; debris in supply lines or faucet.	Ensure water supply valves are fully open. Disconnect supply lines and flush them. Check faucet for any obstructions.
Leaks at Connections	Loose connections; damaged O-rings or washers.	Turn off water supply. Tighten connections gently with a wrench. Inspect and replace any damaged O-rings or washers.
Water Not Draining	Pop-up drain clogged with debris.	Remove the pop-up drain stopper and clean out any hair or debris.

Difficulty Adjusting Temperature	Hot or cold water supply partially or fully off.	Check that both hot and cold water supply valves are fully open.
---	--	--

WARRANTY INFORMATION

This Fransiton Waterfall Bathroom Faucet comes with a **one-year warranty** from the date of purchase. This warranty covers manufacturing defects and material flaws under normal use and service. It does not cover damage resulting from improper installation, misuse, abuse, accident, or normal wear and tear.

To make a warranty claim, please retain your proof of purchase and contact Fransiton customer support.

CUSTOMER SUPPORT

For further assistance, questions, or to report any issues with your Fransiton product, please visit the Fransiton store on Amazon or contact their customer service directly.

Online Support: [Fransiton Amazon Store](#)