

UPGRAVITY cg-1964

UPGRAVITY Easel TV Stand with Tripod Base (Model: cg-1964) Instruction Manual

This manual provides essential information for the safe and efficient assembly, operation, and maintenance of your UPGRAVITY Easel TV Stand.

1. SAFETY INFORMATION

Please read and understand all instructions before assembly and use. Failure to follow these instructions may result in property damage, injury, or death.

- **Weight Capacity:** Do not exceed the maximum weight capacity of 77 lbs (35 kg).
- **TV Size:** Ensure your TV is between 45 and 65 inches.
- **VESA Compatibility:** Verify your TV's VESA pattern matches the supported range (200x200mm to 600x400mm).
- **Stability:** Always place the TV stand on a flat, stable, and level surface.
- **Anti-Tip Strap:** Utilize the included anti-tip strap kit to secure the TV stand to the wall, especially in households with children or pets.
- **Children:** Do not allow children to climb on or play with the TV stand or attached TV.
- **Moving the Stand:** When moving the stand with a TV attached, do so slowly and carefully, preferably with assistance.

2. PRODUCT OVERVIEW

The UPGRAVITY Easel TV Stand (Model: cg-1964) is designed to provide a stylish and versatile mounting solution for your flat-screen television. Its tripod base offers stability while maintaining a minimalist aesthetic.

Key Features:

- **Wide TV Compatibility:** Fits most 45"-65" LCD LED flat screens weighing up to 77 lbs with VESA patterns from 200x200mm to 600x400mm.
- **Swivel & Height Adjustable:** Features 180° swivel for optimal viewing angles and height adjustment along the 23.8" center pole.
- **Secure & Stable:** Constructed from high-quality beechwood with solid tripod legs, includes an anti-tip strap kit, and anti-scratch rubber feet.
- **Minimalist Design:** Sleek, portable, and space-saving, suitable for various room types.
- **Easy Installation:** Comes with all necessary hardware and cable straps for a tidy setup.

3. SETUP AND ASSEMBLY

Follow these steps carefully to assemble your UPGRAVITY Easel TV Stand.

Assembly Steps:

1. **Assemble the Tripod Base:** Rotate the three wooden legs into the center pole to set up the tripod TV stand base. Ensure they are securely tightened.

Compatible with Most 45" to 65" Flat Screens

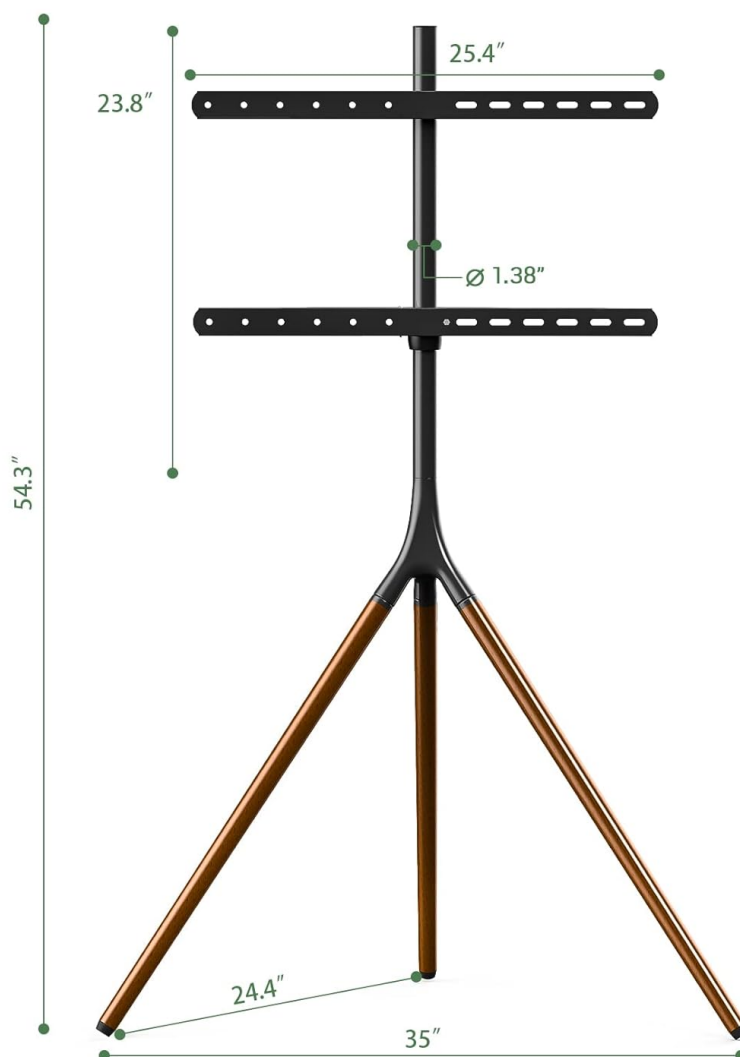


Image: Step 1 of assembly, showing the legs being attached to the central column.

- VESA Patterns**
- 200mm × 200mm
 - 300mm × 200mm
 - 300mm × 300mm
 - 400mm × 200mm
 - 400mm × 300mm
 - 400mm × 400mm
 - 600mm × 400mm


Max. Weight Capacity
77lbs

2. **Attach VESA Plates to TV:** Secure the VESA plates to the back of your TV or monitor using

the included screws. Select the appropriate screws and spacers for your TV model.

Compatible with Most 45" to 65" Flat Screens

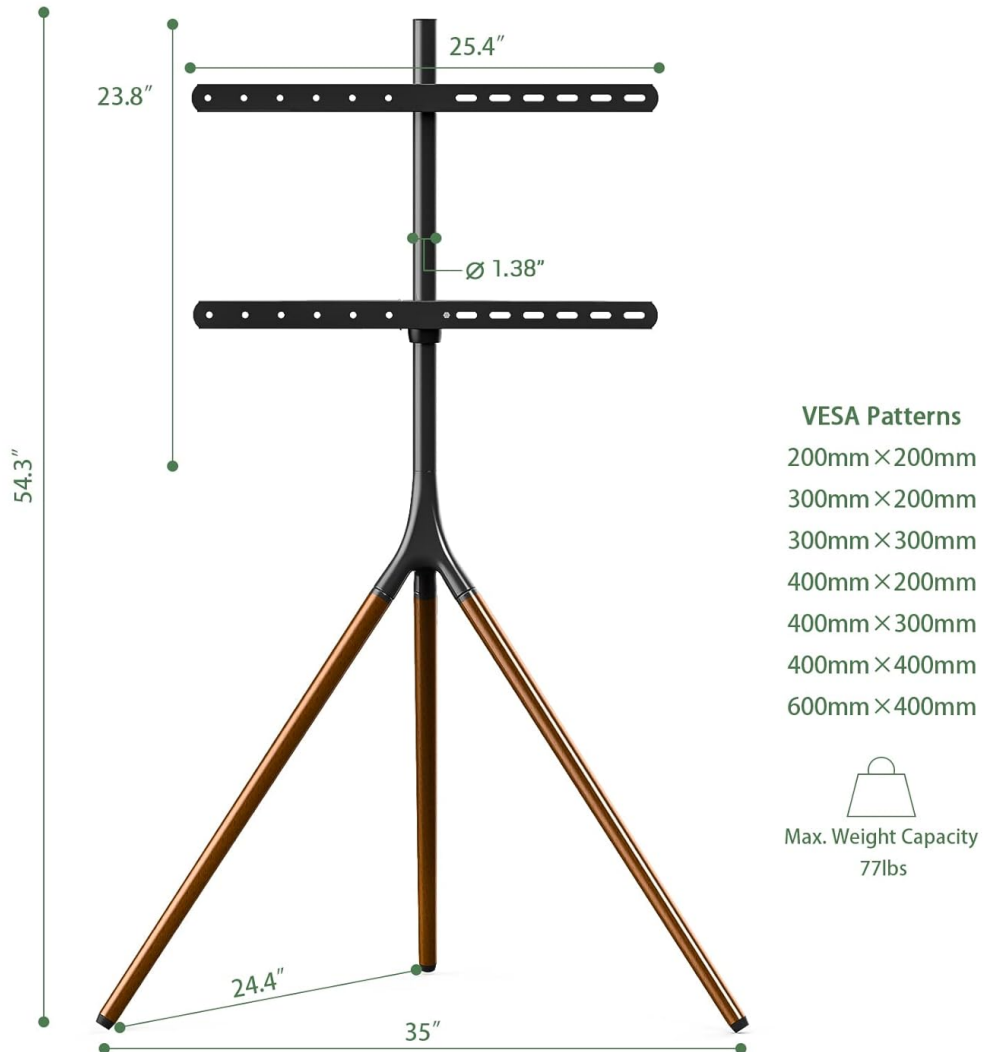
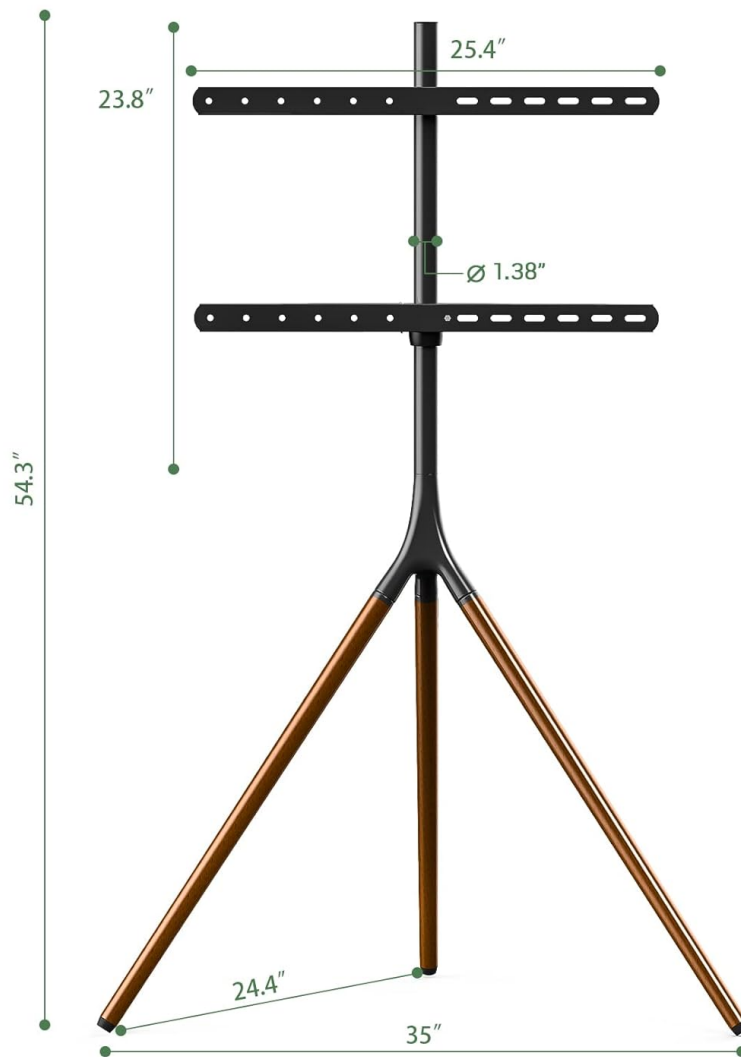


Image: Step 2 of assembly, showing VESA plates being attached to the back of a TV.

- 3. Mount TV onto Stand:** Carefully slide your TV, with the VESA plates attached, into the pole of the stand. Secure the locking collar at your desired height position before attaching the screen. It is recommended to have two people for this step.

Compatible with Most 45" to 65" Flat Screens



VESA Patterns
200mm × 200mm
300mm × 200mm
300mm × 300mm
400mm × 200mm
400mm × 300mm
400mm × 400mm
600mm × 400mm


Max. Weight Capacity
77lbs

Image: Step 3 of assembly, showing a TV being mounted onto the stand.

- Cable Management:** Thread wires and cables against the rear leg of the TV stand and secure them with the provided cable ties to maintain a neat appearance.

Cable Management for a Neat Looking



Image: Close-up of cable ties securing wires along the tripod leg.

5. **Install Anti-Tip Strap:** For extra stability and safety, attach the anti-tip strap kit to the wall and the TV stand as shown in the diagram.

Anti-tip Restraint Design for Extra Stability

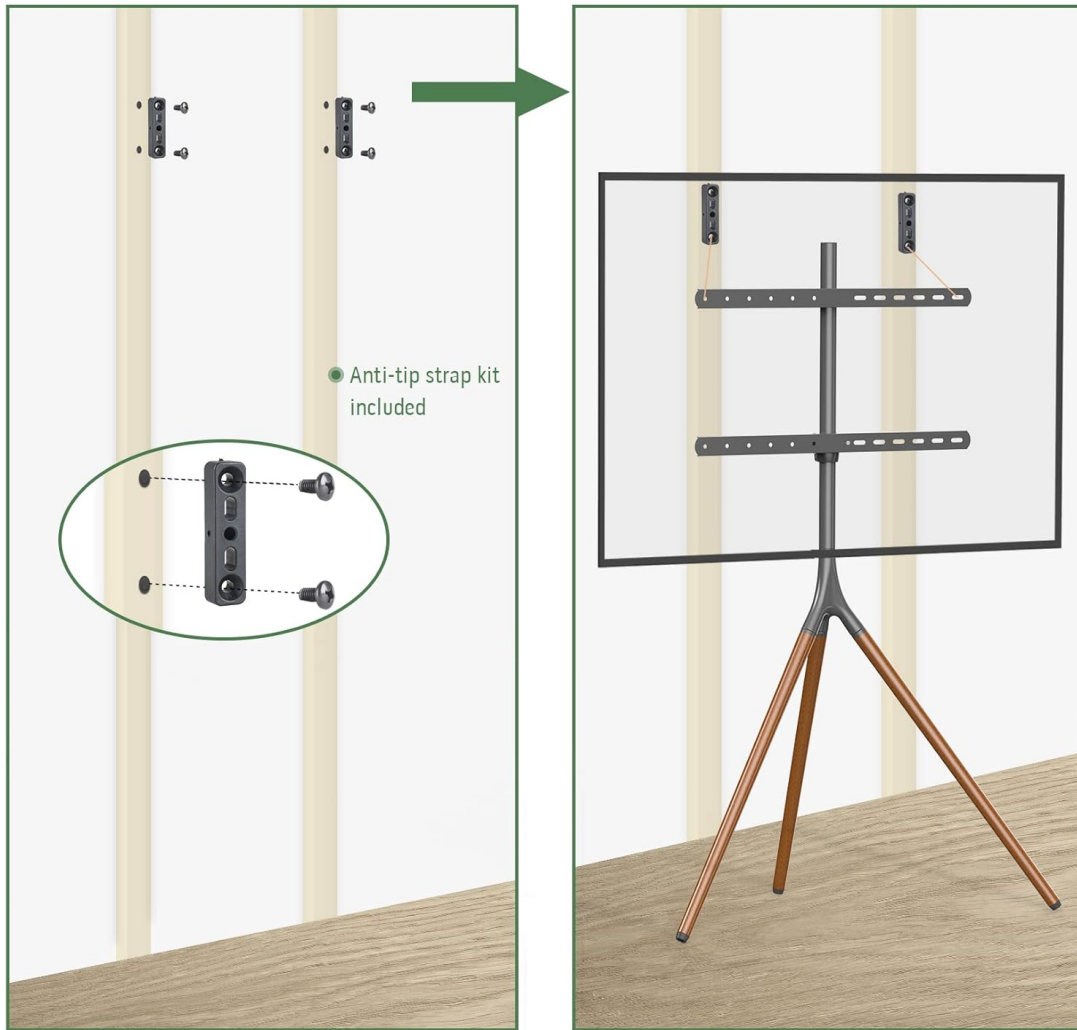


Image: Diagram showing the installation of the anti-tip strap kit to the wall and TV stand.

Installation Videos:

Your browser does not support the video tag.

Video: ECOTINY Rolling TV Stand Installation Guide. This video provides a visual step-by-step guide for installing a similar easel TV stand, demonstrating the assembly process.

Your browser does not support the video tag.

Video: UPGRAVITY Easel TV Stand for 45-65 inch TVs. This video showcases the UPGRAVITY Easel TV Stand, including aspects of its setup and features.

4. OPERATING INSTRUCTIONS

The UPGRAVITY Easel TV Stand offers flexible viewing options.

Height Adjustment:

The TV can be adjusted along the 23.8-inch center pole. To adjust the height, loosen the locking collar, slide the TV to your desired position, and then securely tighten the locking collar.

Height Adjustable & 360° Swivel for Optimum Viewing



Image: Diagram illustrating the height adjustment feature of the TV stand.

Swivel Function:

The TV stand features a 180° swivel capability, allowing you to easily adjust the viewing angle left or right. Gently rotate the TV to achieve the optimal viewing position.

Height Adjustable & 360° Swivel for Optimum Viewing



Image: Diagram showing the 360° swivel function of the TV stand.

5. MAINTENANCE

Proper maintenance ensures the longevity and safe operation of your TV stand.

- **Cleaning:** Wipe the stand with a soft, dry cloth. Avoid using abrasive cleaners or harsh chemicals, as they may damage the finish.
- **Regular Inspection:** Periodically check all screws and connections to ensure they remain tight and secure. Tighten any loose fasteners immediately.
- **Wood Care:** For the wooden components, avoid prolonged exposure to direct sunlight or extreme humidity to prevent warping or discoloration.

6. TROUBLESHOOTING

If you encounter any issues with your TV stand, refer to the following common problems and solutions.

- **TV Stand Feels Unstable:**

- Ensure the stand is placed on a flat, level surface.
- Verify that all assembly screws are securely tightened.
- Confirm your TV's weight and size are within the specified limits.
- Ensure the anti-tip strap is correctly installed and tightened.

- **Difficulty Adjusting Height or Swivel:**

- For height adjustment, ensure the locking collar is sufficiently loosened before attempting to move the TV.
- For swivel, check for any cables or obstructions that might be hindering movement.

- **Cables are Messy:**

- Utilize the provided cable ties to neatly route and secure all wires along the rear leg of the stand.

7. SPECIFICATIONS

Feature	Detail
Model Number	cg-1964
Brand	UPGRAVITY
TV Compatibility	Most 45"-65" Flat Screens
Max Load Capacity	77 lbs (35 kg)
VESA Patterns	200x200mm, 300x200mm, 300x300mm, 400x200mm, 400x300mm, 400x400mm, 600x400mm
Swivel Range	180° (Left and Right)
Height Adjustment	Along 23.8" center pole
Material	Beechwood, Metal
Color	Black (for this variant)
Item Weight	13.02 lbs
Assembly Required	Yes

8. WARRANTY AND SUPPORT

Your UPGRAVITY Easel TV Stand is covered by a standard manufacturer's warranty. Please retain your proof of purchase for warranty claims.

Customer Support:

For technical assistance, troubleshooting, or warranty inquiries, please refer to the contact information provided on your product packaging or visit the official UPGRAVITY website.