



[Manuals.plus](#) /

› [Campbell Hausfeld](#) /

› CAMPBELL HAUSFELD GR3200 3-in-1 Compressor-Generator-Welder Combo User Manual

## Campbell Hausfeld GR3200

# CAMPBELL HAUSFELD GR3200 3-in-1 Compressor-Generator-Welder Combo User Manual

Model: GR3200

## INTRODUCTION

---

This manual provides essential instructions for the safe and efficient operation, maintenance, and troubleshooting of your CAMPBELL HAUSFELD GR3200 3-in-1 Compressor-Generator-Welder Combo. This robust unit integrates a 30-gallon air compressor, a 5000W generator, and a 200A welder, powered by a Honda GX390 gas engine. Please read this manual thoroughly before operating the equipment to ensure proper use and to prevent injury or damage.

## IMPORTANT SAFETY INFORMATION

---

**WARNING: Failure to follow these safety instructions could result in serious injury or death.**

- Always operate the unit in a well-ventilated area to prevent carbon monoxide poisoning.
- Keep children and unauthorized personnel away from the operating unit.
- Wear appropriate personal protective equipment (PPE) including eye protection, hearing protection, and welding helmet/gloves when operating the welder.
- Ensure all electrical connections are secure and properly grounded. Do not operate in wet conditions.
- Before performing any maintenance or service, ensure the engine is off, cooled, and the spark plug wire is disconnected.
- Do not modify the unit. Use only genuine replacement parts.
- Always drain the air tank after each use to prevent corrosion.
- Fuel is highly flammable. Handle with extreme care. Do not refuel while the engine is running or hot.

## PRODUCT OVERVIEW

---

The CAMPBELL HAUSFELD GR3200 is a versatile 3-in-1 unit designed for demanding job site applications. It combines a powerful air compressor, an electrical generator, and a stick welder into a single, truck-mountable system.



Figure 1: Front view of the CAMPBELL HAUSFELD GR3200 3-in-1 unit, showing the Honda GX390 engine, control panel, and air tank.



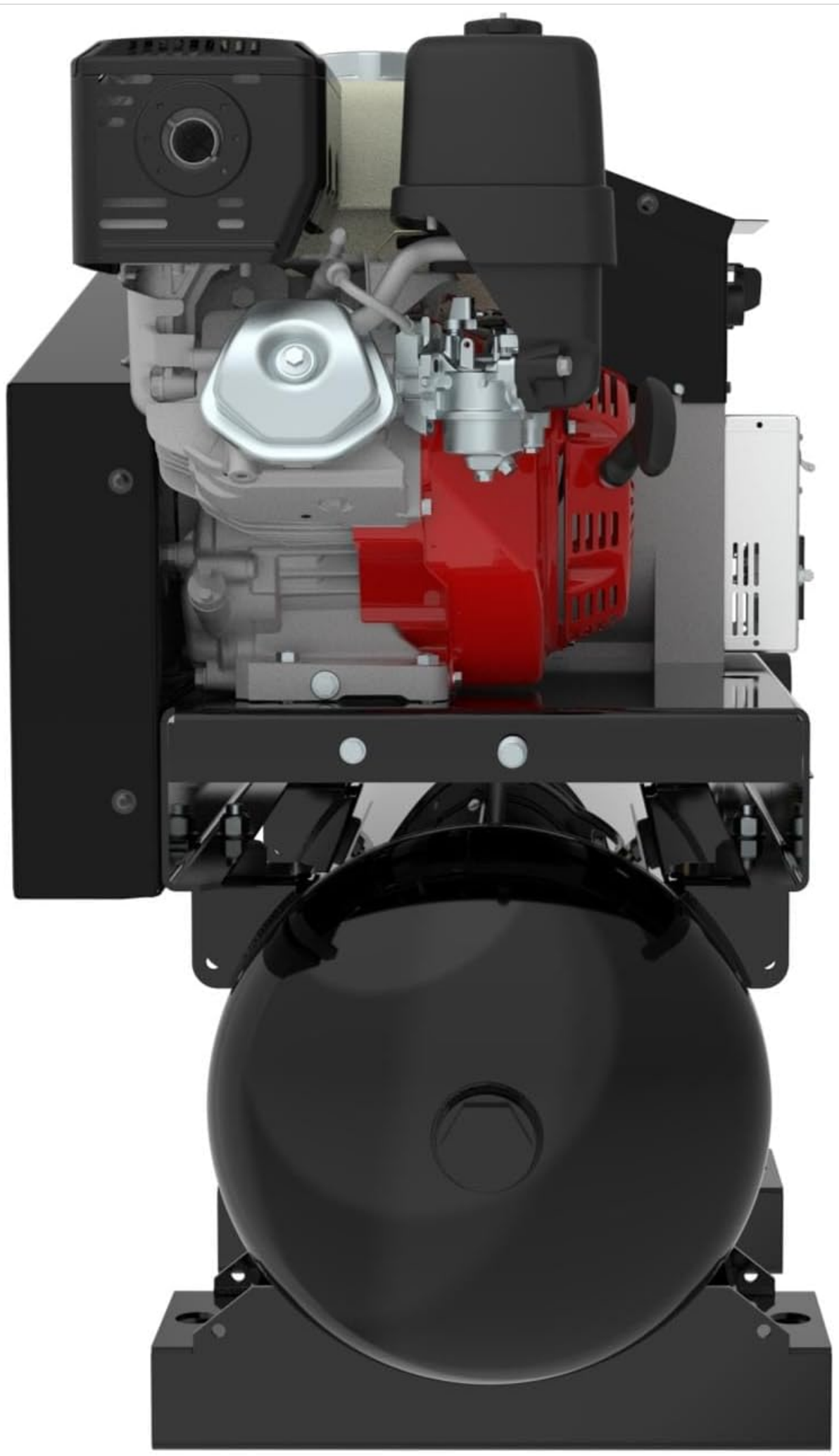
Figure 2: Angled front view highlighting the integrated design and robust construction.



Figure 3: Side view of the unit, showing the compressor pump and air lines.



**Figure 4:** Rear view, illustrating the overall compact design for truck mounting.



**Figure 5:** Top view, focusing on the Honda GX390 engine and fuel tank.

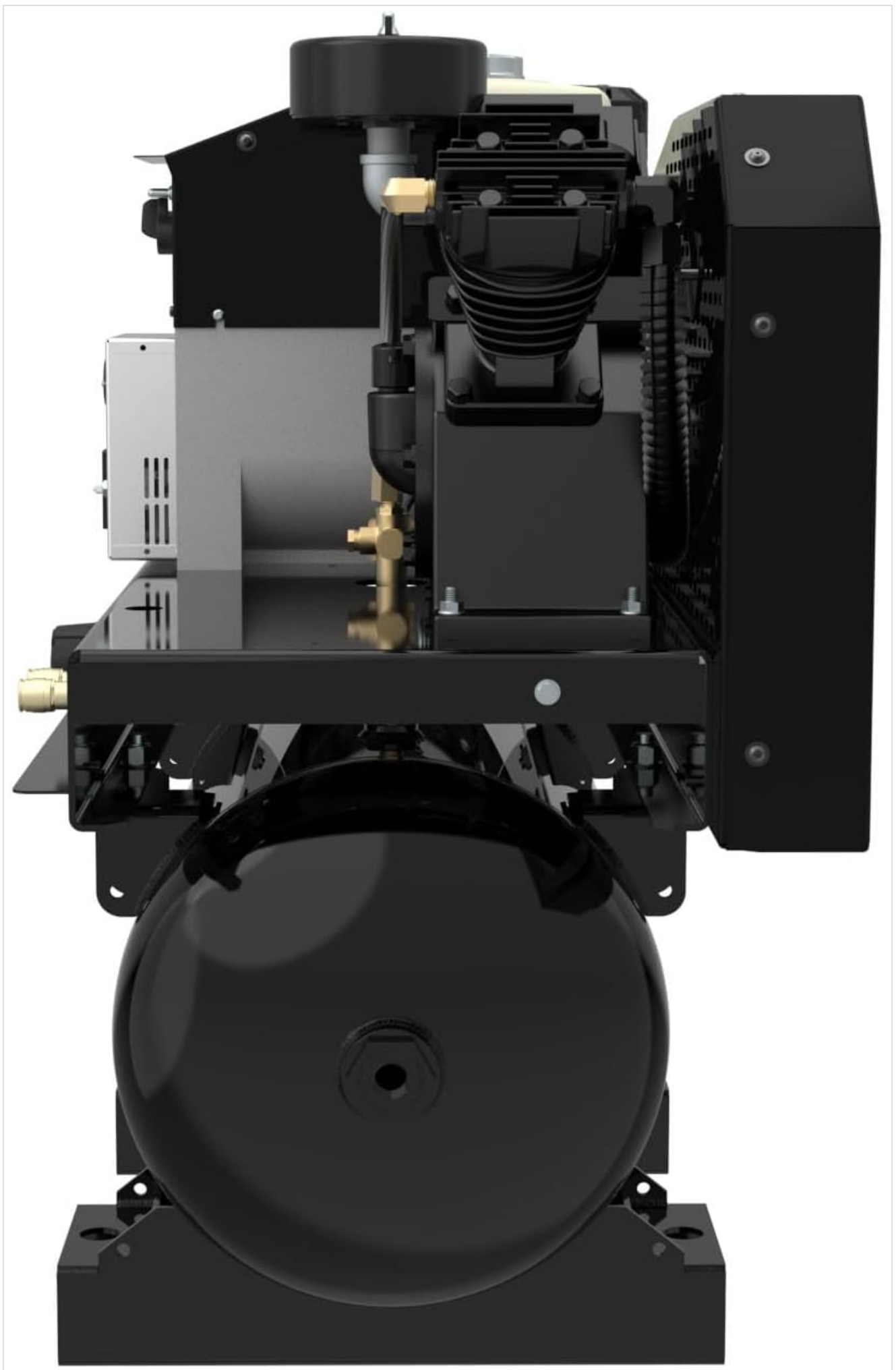


Figure 6: Top view, showing the compressor pump and air filter assembly.

## SETUP

---

### 1. Unpacking and Inspection:

- Carefully remove the unit from its packaging.
- Inspect for any shipping damage. Report any damage to the carrier immediately.
- Ensure all components listed in the packing list are present.

### 2. Placement:

- Place the unit on a firm, level surface. If truck-mounting, ensure it is securely fastened according to manufacturer guidelines for vehicle installation.
- Ensure adequate ventilation around the unit. Maintain at least 3 feet (1 meter) of clear space on all sides.

### 3. Engine Preparation:

- **Engine Oil:** Fill the engine crankcase with the recommended oil (refer to the Honda GX390 engine manual for specific type and capacity). Do not overfill.
- **Fuel:** Fill the fuel tank with fresh, unleaded gasoline. Do not use E85 or other alternative fuels. Ensure the fuel cap is securely tightened.

### 4. Compressor Preparation:

- Check the compressor pump oil level. Add oil if necessary (refer to compressor pump specifications for type).
- Ensure the air filter is clean and properly installed.

### 5. Electrical Connections:

- Familiarize yourself with the 120V and 240V outlets on the control panel.
- Ensure any connected electrical loads do not exceed the generator's rated capacity (5000W).

### 6. Welder Connections:

- Connect welding cables (electrode holder and ground clamp) to the appropriate terminals on the control panel. Ensure connections are tight.

## OPERATING INSTRUCTIONS

---

### Starting the Engine

1. Ensure the unit is on a level surface.
2. Open the fuel valve.
3. Move the choke lever to the "CHOKE" position (if engine is cold).
4. Move the throttle lever to the "FAST" position.
5. Pull the recoil starter handle firmly until the engine starts.
6. Once the engine starts, gradually move the choke lever to the "RUN" position.
7. Allow the engine to warm up for a few minutes before applying load.

### Compressor Operation

1. Ensure the engine is running.

2. Connect your air tool or hose to the quick-connect coupler.
3. Adjust the air pressure regulator to the desired PSI for your application.
4. The compressor will automatically cycle on and off to maintain tank pressure.
5. After use, turn off the engine, disconnect air tools, and drain the air tank.

## Generator Operation

1. Ensure the engine is running and stable.
2. Plug in your electrical devices to the appropriate 120V or 240V outlets.
3. Do not exceed the rated wattage of the generator (5000W). Overloading can trip circuit breakers or damage the unit.
4. Always turn off and unplug devices before shutting down the generator.

## Welder Operation (DC Stick Welding)

1. Ensure the engine is running.
2. Connect the ground clamp to the workpiece, ensuring good electrical contact.
3. Insert the appropriate electrode into the electrode holder.
4. Adjust the welding current (amperage) on the control panel according to the electrode type and material thickness.
5. Wear full welding PPE (helmet, gloves, protective clothing).
6. Begin welding. The unit supports up to 180A DC stick welding.
7. After welding, turn off the unit and allow it to cool before handling.

## Shutting Down the Unit

1. Remove all electrical loads and disconnect air tools.
2. Move the throttle lever to the "SLOW" or "IDLE" position and allow the engine to cool for a few minutes.
3. Move the engine switch to the "OFF" position.
4. Close the fuel valve.
5. Drain any accumulated moisture from the air tank by opening the drain valve at the bottom of the tank.

## MAINTENANCE

---

Regular maintenance is crucial for the longevity and reliable performance of your 3-in-1 unit.

### Daily/Before Each Use

- Check engine oil level.
- Check compressor pump oil level.
- Inspect air filter for cleanliness.
- Check for loose fasteners, leaks, or damaged components.
- Drain moisture from the air tank.

### Every 25 Hours or Annually (whichever comes first)

- Clean or replace engine air filter.

- Change engine oil.
- Inspect spark plug. Clean or replace as needed.
- Check and adjust valve clearance (refer to Honda GX390 manual).

### Every 50 Hours or Annually (whichever comes first)

- Change compressor pump oil.
- Inspect drive belts for wear and tension.

### Long-Term Storage

- Drain the fuel tank or add a fuel stabilizer. Run the engine until it stops if draining.
- Change engine oil.
- Remove the spark plug and pour a small amount of engine oil into the cylinder. Rotate the engine a few times, then reinstall the spark plug.
- Store in a clean, dry area.

## TROUBLESHOOTING

Problem	Possible Cause	Solution
Engine will not start	No fuel; Choke not set; Spark plug issue; Low oil shutdown.	Add fuel; Adjust choke; Check/replace spark plug; Check engine oil level.
Compressor not building pressure	Air leak; Worn piston rings; Intake valve issue; Belt slippage.	Check connections; Inspect/replace components; Adjust belt tension.
Generator no power output	Circuit breaker tripped; Overload; Faulty outlet.	Reset breaker; Reduce load; Test outlets.
Welder not striking arc or weak arc	Poor ground connection; Incorrect amperage setting; Wet/old electrodes.	Clean ground connection; Adjust amperage; Use dry electrodes.
Excessive vibration or noise	Loose components; Worn bearings; Unbalanced parts.	Tighten fasteners; Inspect/replace worn parts.

For issues not listed here, or if solutions do not resolve the problem, contact qualified service personnel.

## SPECIFICATIONS

<b>Model Name</b>	Campbell Hausfeld 30 Gal. 175 PSI Honda GX390 Gas Engine Truck Mount Compressor and 5000-Watt Generator and 200A Welder, 3-in-1 Air Compressor/Generator/Welder Combo Unit (GR3200)
<b>Part Number</b>	GR3200
<b>Engine</b>	Honda GX390 Gas Engine
<b>Engine Horsepower</b>	13 HP

<b>Air Compressor Tank Volume</b>	30 Gallons
<b>Maximum Operating Pressure</b>	175 PSI
<b>Air Flow Capacity (at 90 PSI)</b>	14 CFM
<b>Generator Output</b>	5000 Watts
<b>Generator Voltage</b>	120 Volts, 240 Volts
<b>Welder Type</b>	DC Stick Welder
<b>Welder Output</b>	Up to 200 Amps (180A DC Stick Welding)
<b>Noise Level</b>	92 dB
<b>Item Weight</b>	591 Pounds
<b>Dimensions (Package)</b>	58 x 52 x 32 inches

## WARRANTY INFORMATION

---

This CAMPBELL HAUSFELD GR3200 unit comes with a **3 Year Limited Warranty**. For specific terms, conditions, and registration details, please refer to the warranty card included with your product or visit the official Campbell Hausfeld website. Keep your proof of purchase for warranty claims.

## CUSTOMER SUPPORT

---

For technical assistance, parts, or service inquiries, please contact Campbell Hausfeld customer support. Have your model number (GR3200) and serial number ready when contacting support. You can find contact information on the official Campbell Hausfeld website or in the documentation provided with your unit. Online resources and FAQs may also be available on the manufacturer's website.