

[Manuals.plus](#) /

> [ZINUS](#) /

> ZINUS 5 Inch Queen Metal Smart Box Spring Instruction Manual

## ZINUS ZU-ABS-5QS

# ZINUS 5 Inch Queen Metal Smart Box Spring Instruction Manual

Model: ZU-ABS-5QS

## INTRODUCTION

This manual provides detailed instructions for the assembly, use, and maintenance of your ZINUS 5 Inch Queen Metal Smart Box Spring. Please read all instructions carefully before beginning assembly and retain this manual for future reference.

The ZINUS Smart Box Spring is designed to provide a durable and stable foundation for your mattress, ensuring long-lasting support. This quick-assembly version features an intuitive design with fewer bolts and tool-free brackets for a straightforward setup process.



Image: The ZINUS 5 Inch Queen Metal Smart Box Spring, fully assembled and ready for use. It features a grey top surface and white fabric sides.

## SAFETY WARNINGS

---

**WARNING: Be cautious of pinch points when assembling.**

**WARNING: Do not exceed the maximum weight capacity. For Queen size, the maximum weight capacity is 700 lbs.**

Always ensure all connections are secure before placing a mattress on the box spring.

## PACKAGE CONTENTS

---

Before assembly, verify that all components are present. The package should contain:

- Steel Frame Components (various bars and connectors)
- Slats
- Tool-Free Locking Brackets
- Poly Jacquard Cover
- Assembly Instructions (this manual)

# DURABLY ENGINEERED

## Ultra-strong steel structure

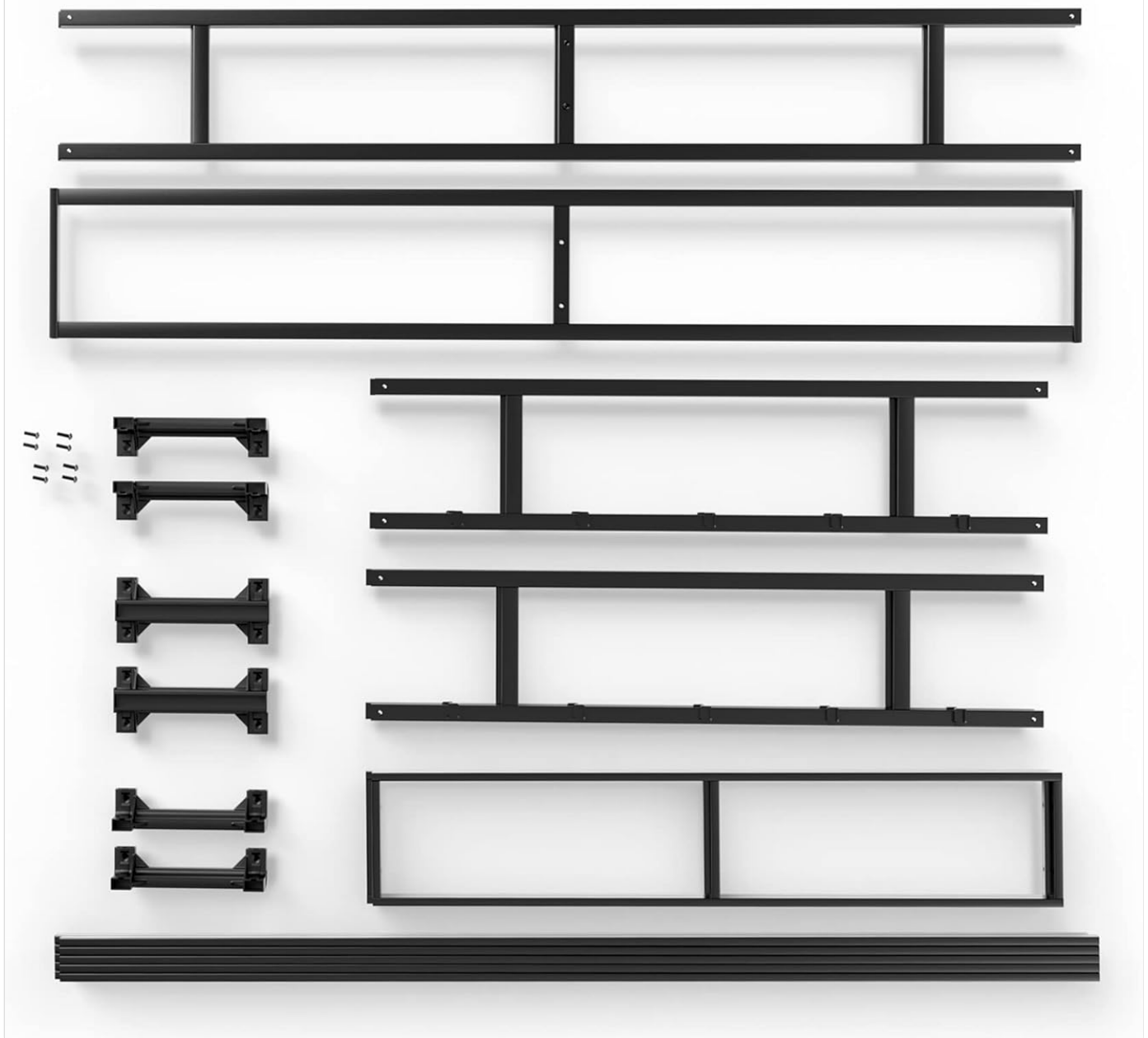


Image: An overhead view displaying all the steel frame components, slats, and locking brackets included in the package for assembly.

### SETUP AND ASSEMBLY

The ZINUS Smart Box Spring is designed for quick and easy assembly, requiring minimal tools. Follow these steps for a smooth setup:

1. **Unpack Components:** Carefully remove all parts from the packaging. Lay them out on a clean, flat surface to identify each piece.



Image: A series of four images demonstrating the push-pin system for connecting the steel frame components, highlighting the tool-free assembly process.

2. **Assemble the Frame:** Connect the steel frame pieces using the push-pin system. Align the holes and push the pins to secure the connections. This design eliminates the need for extra nuts and bolts.

# TOOL FREE LOCKING BRACKETS

## For intuitive setup

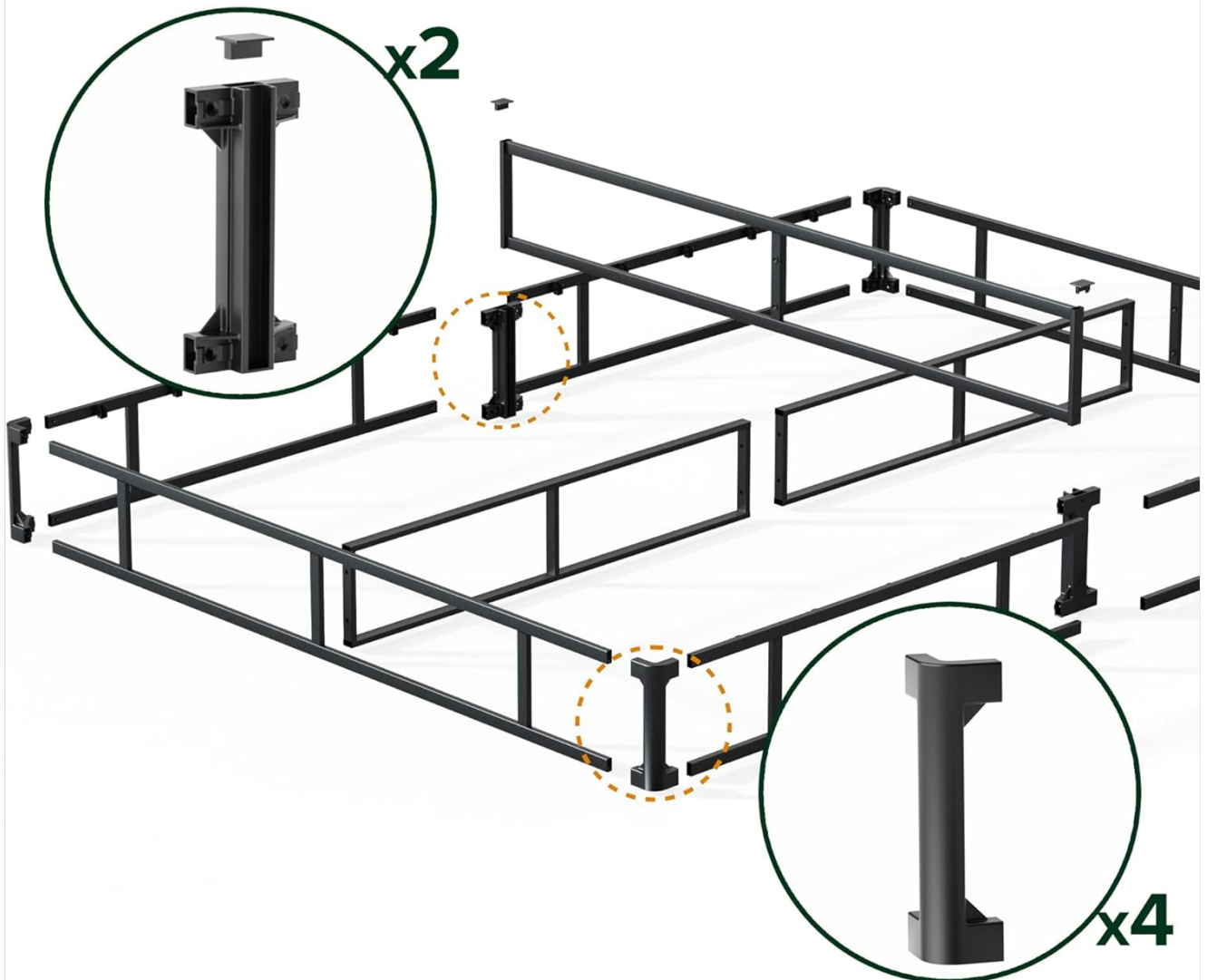


Image: A diagram illustrating the placement and function of the tool-free locking brackets, which simplify the assembly process.

3. **Attach Locking Brackets:** Secure the tool-free locking brackets to the designated points on the frame. These brackets are designed for intuitive setup.
4. **Place Slats:** Once the frame is assembled, position the slats across the frame. Ensure they are evenly spaced and securely seated.
5. **Apply Cover:** Stretch the poly jacquard cover over the assembled box spring. The elastic band design allows for easy application and removal.



Image: A close-up view of a hand pulling the elastic band cover over the corner of the box spring, demonstrating its ease of use.

6. **Final Check:** Before use, double-check all connections to ensure they are tight and secure.

*Note: A bed frame or platform bed is required to support this foundation and is sold separately. The box spring itself does not include legs or a standalone frame.*



Image: A bedroom scene showing the assembled box spring with a mattress and bedding, clarifying that the bed frame and mattress are not included with the box spring.

## OPERATING AND USAGE

Once assembled, the ZINUS Smart Box Spring is ready for use. Place your mattress directly on top of the box spring. Ensure the mattress is centered and fully supported by the box spring's surface. This box spring is designed to be placed within a compatible bed frame or on a platform bed. It provides the necessary support and height for your mattress.



Image: A bedroom scene featuring the ZINUS Smart Box Spring with a mattress and bedding, illustrating how the product functions as a mattress foundation.

## MAINTENANCE

---

To maintain the longevity and appearance of your ZINUS Smart Box Spring, follow these simple care instructions:

- **Cleaning:** Wipe with a dry cloth to remove dust and debris. For spills on the poly jacquard cover, spot clean with a mild detergent and damp cloth, then allow to air dry completely.
- **Inspection:** Periodically check all frame connections and slats to ensure they remain secure. Tighten any loose connections if necessary.
- **Cover Care:** The poly jacquard cover can be removed for more thorough cleaning if needed. Follow care instructions on the cover's label.

## TROUBLESHOOTING

---

If you encounter any issues with your ZINUS Smart Box Spring, consider the following common solutions:

- **Squeaking Noises:** Ensure all frame connections are fully tightened. Check that the box spring is placed on a flat, stable surface within your bed frame.
- **Instability:** Verify that all locking brackets and push-pin connections are properly engaged. Confirm that the box spring is correctly sized for your bed frame.
- **Difficulty Assembling:** Review the assembly steps carefully. Ensure you are using the tool-free locking brackets correctly. If a part seems stuck, do not force it; re-check the alignment.

If problems persist, please refer to the "Support" section for contact information.

## SPECIFICATIONS

# Dimension & Capacity

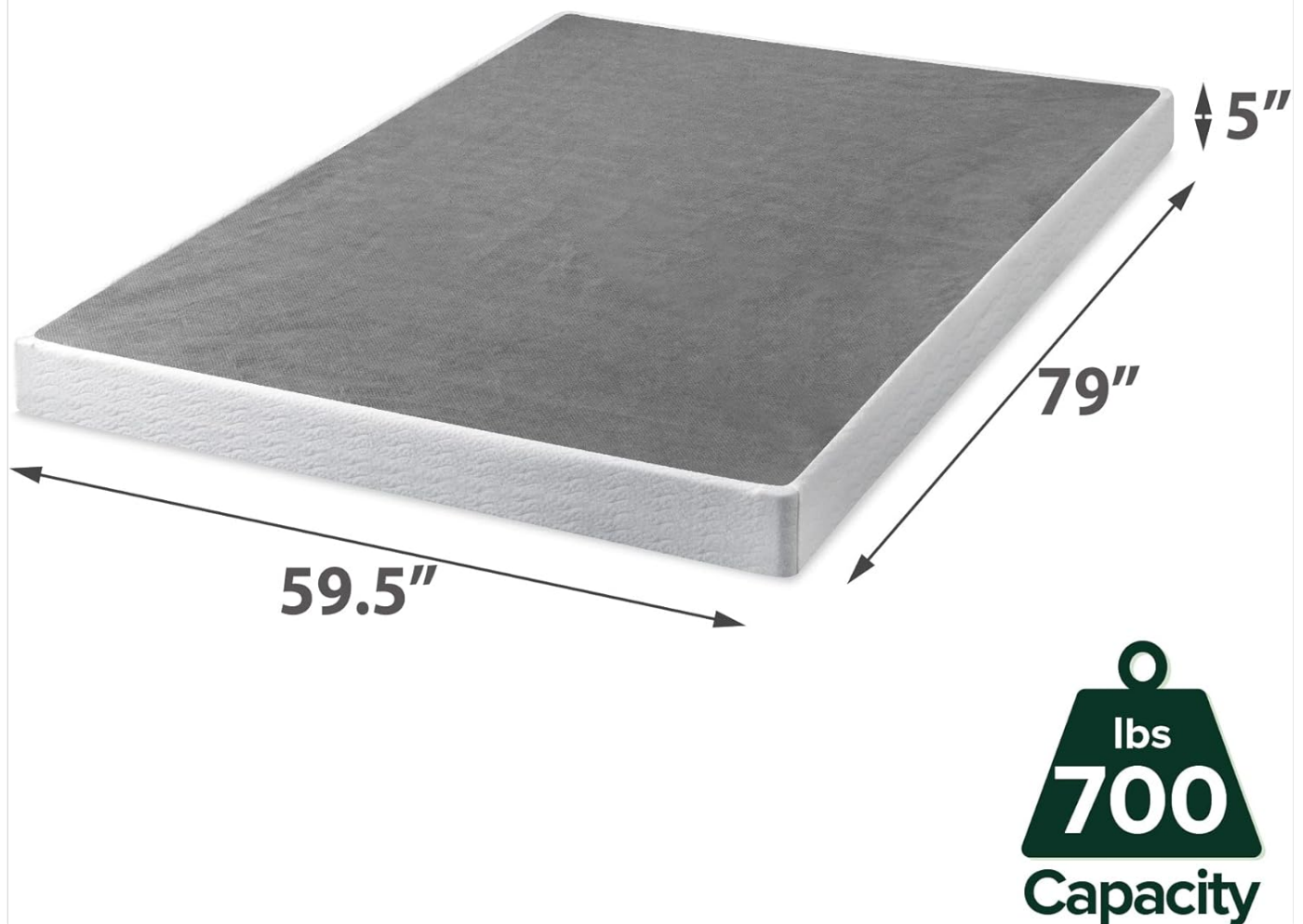


Image: A visual representation of the Queen size box spring's dimensions (78.7"L x 59.5"W x 5"H) and its maximum weight capacity of 700 lbs.

## Product Specifications

<b>Brand</b>	ZINUS
<b>Model Number</b>	ZU-ABS-5QS
<b>Size</b>	Queen
<b>Product Dimensions (L x W x H)</b>	78.7" x 59.5" x 5"
<b>Item Weight</b>	36.8 pounds
<b>Maximum Weight Capacity</b>	700 lbs (Queen size)
<b>Color</b>	Grey
<b>Finish Type</b>	Steel
<b>Included Components</b>	Cover, Slat, Steel Frame
<b>Assembly Required</b>	Yes
<b>UPC</b>	841550325294

## WARRANTY

The ZINUS 5 Inch Queen Metal Smart Box Spring comes with a worry-free 5-year limited warranty. This warranty covers manufacturing defects and ensures the product meets ZINUS's quality standards under normal use.

For detailed terms and conditions of the warranty, please refer to the warranty card included with your product or visit the official ZINUS website.

## SUPPORT

For further assistance, questions, or to report any issues, please contact ZINUS customer support:

- **Website:** [www.zinus.com](http://www.zinus.com) (Check for support contact details or FAQ section)
- **Phone:** Refer to the product packaging or ZINUS website for the most current customer service phone number.
- **Email:** Refer to the product packaging or ZINUS website for the most current customer service email address.

When contacting support, please have your product model number (ZU-ABS-5QS) and purchase information readily available.

## OFFICIAL PRODUCT VIDEOS

No official product videos from the seller were found in the provided data that meet the embedding criteria (m3u8 format or relevant "preview" videos).

© 2023 ZINUS. All rights reserved.

This manual is for informational purposes only. ZINUS reserves the right to make changes to product specifications and designs without prior notice.

