

[Manuals.plus](#) /

> [Zinus](#) /

> ZINUS 7 Inch Queen Metal Smart Box Spring: Quick Assembly Mattress Foundation User Manual

Zinus ZU-ABS-7QS

ZINUS 7 Inch Queen Metal Smart Box Spring: Quick Assembly Mattress Foundation User Manual

For Model: ZU-ABS-7QS

INTRODUCTION

Thank you for choosing the ZINUS 7 Inch Queen Metal Smart Box Spring. This mattress foundation is engineered for durability and stability, providing essential support for your mattress. Its quick assembly design features fewer bolts and tool-free brackets, allowing for a straightforward setup process. This manual provides detailed instructions for assembly, usage, maintenance, and troubleshooting to ensure optimal performance and longevity of your product.



Image: A complete view of the ZINUS Smart Box Spring with a mattress, showcasing its low profile and sturdy appearance.

SAFETY INFORMATION

WARNING:

- Do not exceed the maximum weight recommendation of 700 lbs.
- Always use this box spring with a compatible bed frame or platform bed for proper support and safety. The box spring is designed to be placed on an existing bed frame, not directly on the floor.
- Keep small parts away from children during assembly.
- Ensure all connections are securely fastened before use.

PACKAGE CONTENTS

Before beginning assembly, verify that all components are present and undamaged. All parts are typically packed in one compact box.

Components List:

- Inner Long Rail (A): 2 pieces
- Inner Short Rail (B): 1 piece
- Outer Short Rail (C): 2 pieces
- Outer Long Rail-1 (D): 2 pieces
- Outer Long Rail-2 (E): 2 pieces
- Slats (F): 10 pieces
- Shortest Screws (S): 8 pieces
- Mid-length Screws (M): 4 pieces
- Long Screws (L): 2 pieces
- Nuts (H): 10 pieces
- Fabric Cover: 1 piece
- Assembly Tool (if applicable, usually an Allen wrench)

DURABLY ENGINEERED

Ultra-strong steel structure

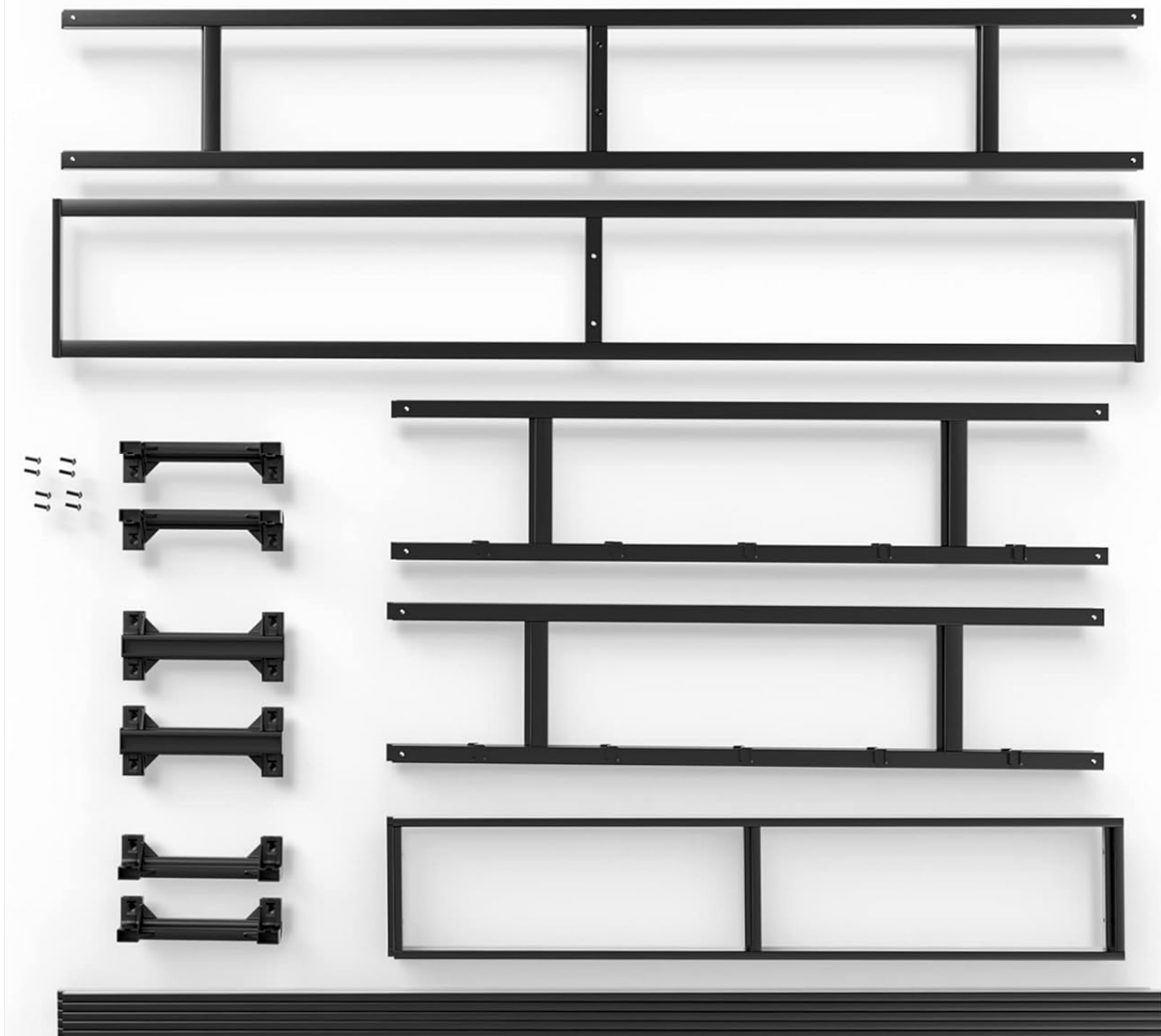


Image: A detailed layout of all the steel frame parts, including rails, crossbars, and brackets, ready for assembly.

ASSEMBLY INSTRUCTIONS

Assembly is designed to be quick and intuitive, often taking only minutes. It is recommended to have two people for easier handling.

Step-by-Step Guide:

- 1. Unpack and Identify Parts:** Carefully open the box and remove all components. Lay them out on a clean, flat surface. Identify each part using the provided list and check for any damage. Parts are often numbered or lettered for easy matching.
- 2. Pre-Assembly Layout:** Before connecting, arrange the frame pieces on the floor according to their intended final positions. This helps visualize the assembly process.
- 3. Connect Frame Sections:** Begin connecting the main frame rails. The ZINUS Smart Box Spring utilizes a push-pin system and tool-free locking brackets for intuitive setup. Align the ends of the frame pieces

and push them together until the pins click into place or the locking brackets secure them.



Push-pin system
No tools required



Image: This image demonstrates the simple push-pin mechanism used to connect the frame components without the need for additional tools.

TOOL FREE LOCKING BRACKETS

For intuitive setup

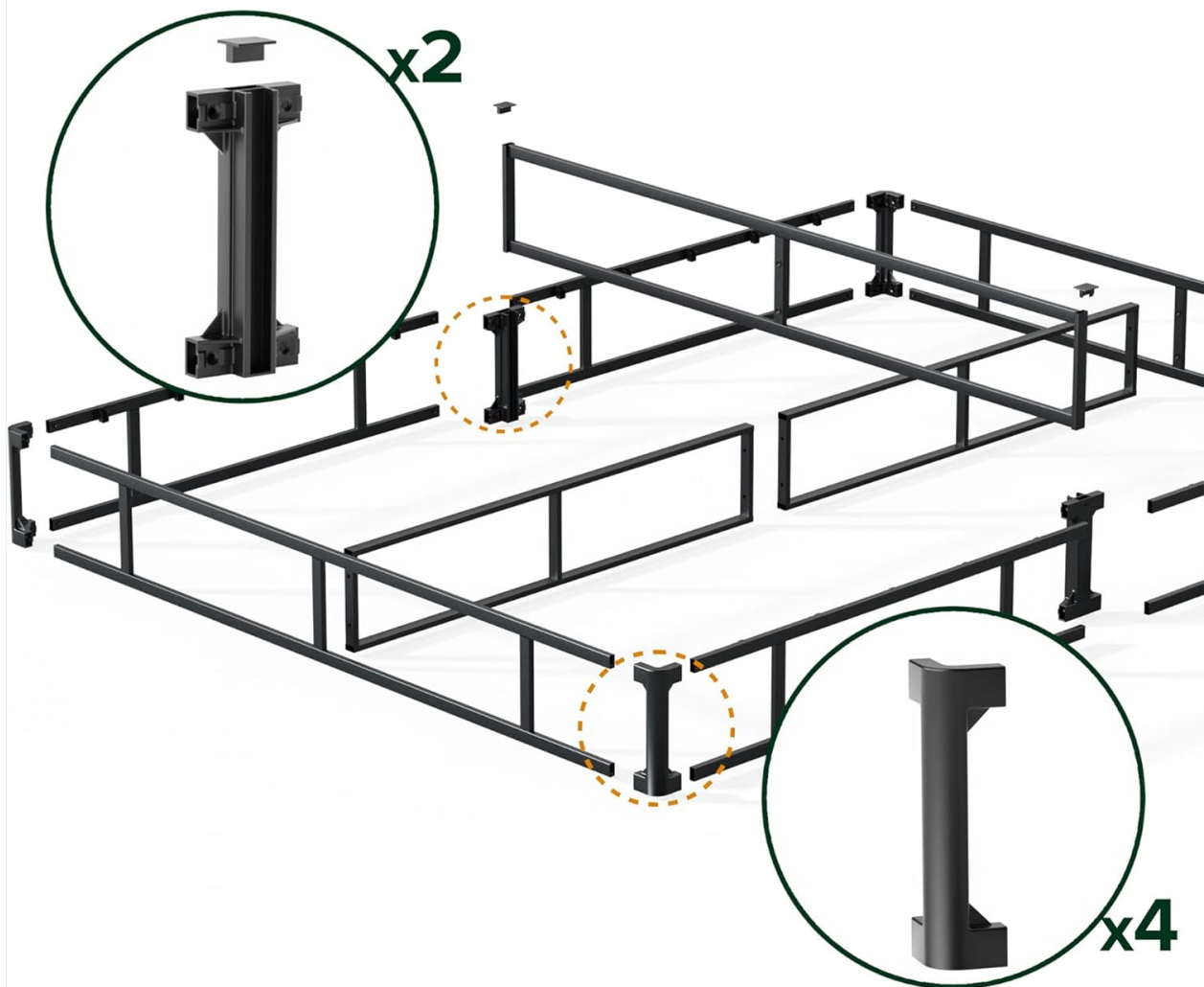


Image: A visual guide showing how the innovative tool-free locking brackets secure the frame pieces together for quick and easy setup.

4. **Install Cross Braces/Slats:** Once the outer frame is assembled, insert the cross braces or slats. These typically slide into designated slots or attach with the provided screws and nuts. Ensure all slats are evenly spaced and securely fastened to provide uniform support.
5. **Tighten Connections:** For any bolted connections, use the provided tool to tighten them securely. Do not overtighten.
6. **Apply Fabric Cover:** Once the metal frame is fully assembled and stable, carefully place the fabric cover over the frame. The cover often features an elastic band or zipper for easy application and a snug fit.

ELASTIC BAND COVER

Easy on & off



Image: A person's hand is shown stretching the elasticized fabric cover over the assembled metal frame, highlighting its easy application.

- 7. Position the Box Spring:** Carefully lift the assembled box spring and place it onto your existing bed frame or platform bed. Ensure it is centered and sits evenly.

OPERATING INSTRUCTIONS

The ZINUS Smart Box Spring functions as a supportive foundation for your mattress. Proper operation involves correct placement and regular checks.

- **Mattress Placement:** Gently place your mattress directly on top of the assembled box spring. Ensure the mattress is centered and aligned with the box spring.
- **Even Support:** The steel frame and slats are designed to provide even support across the entire mattress surface, preventing sagging and extending mattress life.
- **Bed Frame Requirement:** This box spring requires a separate bed frame or platform bed for support. It is not designed to be used directly on the floor.



Image: The assembled box spring and mattress are shown on a bed frame in a decorated bedroom, illustrating the final product in use.



Image: This image clarifies that the product is the box spring only, and the bed frame and mattress are separate items.

MAINTENANCE

To maintain your ZINUS Smart Box Spring and ensure its longevity, follow these simple care instructions:

- **Cleaning:** Wipe the metal frame with a dry cloth as needed. The fabric cover can typically be spot cleaned with a mild detergent and damp cloth. Refer to the care label on the cover for specific washing instructions if removable.
- **Regular Checks:** Periodically check all connections and fasteners to ensure they remain tight. Retighten any loose screws or bolts to maintain stability and prevent squeaking.
- **Avoid Excessive Moisture:** Keep the box spring in a dry environment to prevent rust or damage to the fabric cover.

TROUBLESHOOTING

If you encounter any issues with your ZINUS Smart Box Spring, consider the following common solutions:

Issue: Squeaking Noises

- **Check Connections:** Ensure all screws, bolts, and push-pin connections are fully tightened and secure. Loose connections are a common cause of squeaking.
- **Metal-on-Metal Contact:** Inspect for any areas where metal components might be rubbing against each other. Sometimes, applying a thin layer of electrical tape or felt pads at contact points can reduce noise.
- **Bed Frame Interaction:** Ensure the box spring is sitting evenly and securely on your bed frame. Uneven placement can cause stress points and noise.

Issue: Instability or Wobbling

- **Verify Assembly:** Double-check that all parts are assembled correctly according to the instructions.
- **Tighten All Fasteners:** Ensure all screws and bolts are firmly tightened.
- **Level Surface:** Make sure the bed frame and the floor beneath it are level. Uneven surfaces can affect the stability of the box spring.

SPECIFICATIONS

Feature	Detail
Model Number	ZU-ABS-7QS
Size	Queen
Product Dimensions (L x W x H)	78.74"L x 59.5"W x 7"H
Weight Capacity	700 lbs (Queen size)
Material	Durable Steel Frame, Fabric Cover
Color	Grey
Assembly Required	Yes (Quick Assembly)
Included Components	Cover, Slats, Steel Frame
Care Instructions	Wipe with Dry Cloth

Dimension & Capacity

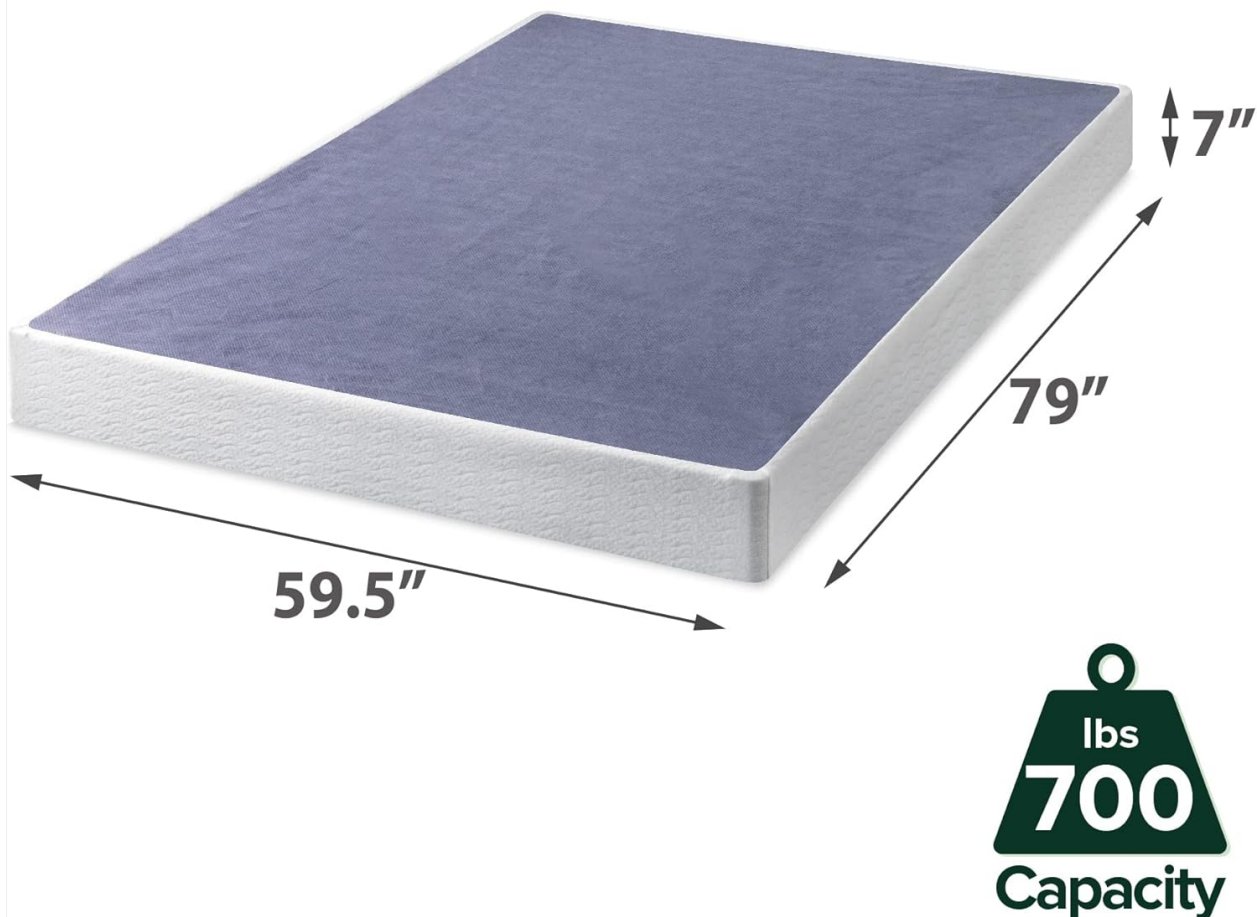


Image: This image illustrates the exact dimensions of the Queen size box spring and its maximum weight capacity of 700 pounds.

WARRANTY INFORMATION

The ZINUS 7 Inch Queen Metal Smart Box Spring comes with a worry-free 5-year limited warranty. This warranty covers manufacturing defects and ensures the product meets ZINUS's quality standards under normal use. Please retain your proof of purchase for warranty claims.

For detailed terms and conditions of the warranty, please refer to the documentation included with your product or visit the official ZINUS website.

CUSTOMER SUPPORT

If you have any questions, require assistance with assembly, or need to report a missing or damaged part, please contact ZINUS customer service. Our team is dedicated to providing support and ensuring your satisfaction.

- **Online Support:** Visit the official ZINUS website for FAQs, support articles, and contact options.
- **Contact Information:** Refer to the packaging or the ZINUS website for the most current customer

service phone numbers and email addresses.

IMPORTANT NOTE ON VIDEOS

While this product may have associated videos, specific video URLs with creator type and preview information were not provided in the product data. Therefore, no videos could be embedded in this manual.