

Manuals+

[Q & A](#) | [Deep Search](#) | [Upload](#)

manuals.plus /

› [ZINUS](#) /

› [ZINUS 7 Inch Metal Smart Box Spring with Quick Assembly, Mattress Foundation, Strong Metal Frame, Easy Assembly, King King 7 inch New Quick Assembly User Manual](#)

ZINUS ZU-ABS-7KS

ZINUS 7 Inch Metal Smart Box Spring User Manual

Model: ZU-ABS-7KS

PRODUCT OVERVIEW

The ZINUS Smart BoxSpring is engineered to provide robust support for your mattress, ensuring its longevity and your comfort. This updated quick assembly model simplifies the setup process with its innovative design, minimizing the need for tools and allowing for rapid construction. Its durable steel frame and easy-to-fit cover make it a reliable foundation for any sleeping arrangement.



Image: The ZINUS 7 Inch Metal Smart Box Spring, showcasing its compact and sturdy design.

SAFETY INFORMATION

- This product requires a separate bed frame or platform bed for proper support. Do not use the box spring without adequate underlying support.
- Maximum weight recommendation: 700 lbs for King size. Twin/Twin XL sizes support a maximum weight capacity of

350 lbs.

ASSEMBLY INSTRUCTIONS

The ZINUS Smart Box Spring is designed for quick and easy assembly, often completed within minutes thanks to its tool-free features.

Step 1: Unpack and Identify Components

Carefully open the compact shipping box and remove all components. Verify that all parts listed in the included instructions are present before beginning assembly.



Image: All steel frame components laid out, demonstrating the durably engineered structure for assembly.

Step 2: Assemble the Metal Frame

Utilize the tool-free locking brackets and push-pin system to connect the steel frame pieces. Ensure each connection is secure and fully engaged. The design requires fewer bolts, making the process intuitive and fast.



**Push-pin system
No tools required**



Image: Close-up view of the tool-free locking brackets, highlighting their ease of use for intuitive setup.



Image: Detailed view of the push-pin system, illustrating how components connect without the need for additional tools.

Step 3: Attach the Poly Jacquard Cover

Once the metal frame is fully assembled, carefully slip the poly jacquard cover over the frame. The cover features an elastic band for easy application and removal, ensuring a snug fit.

DURABLY ENGINEERED

Ultra-strong steel structure

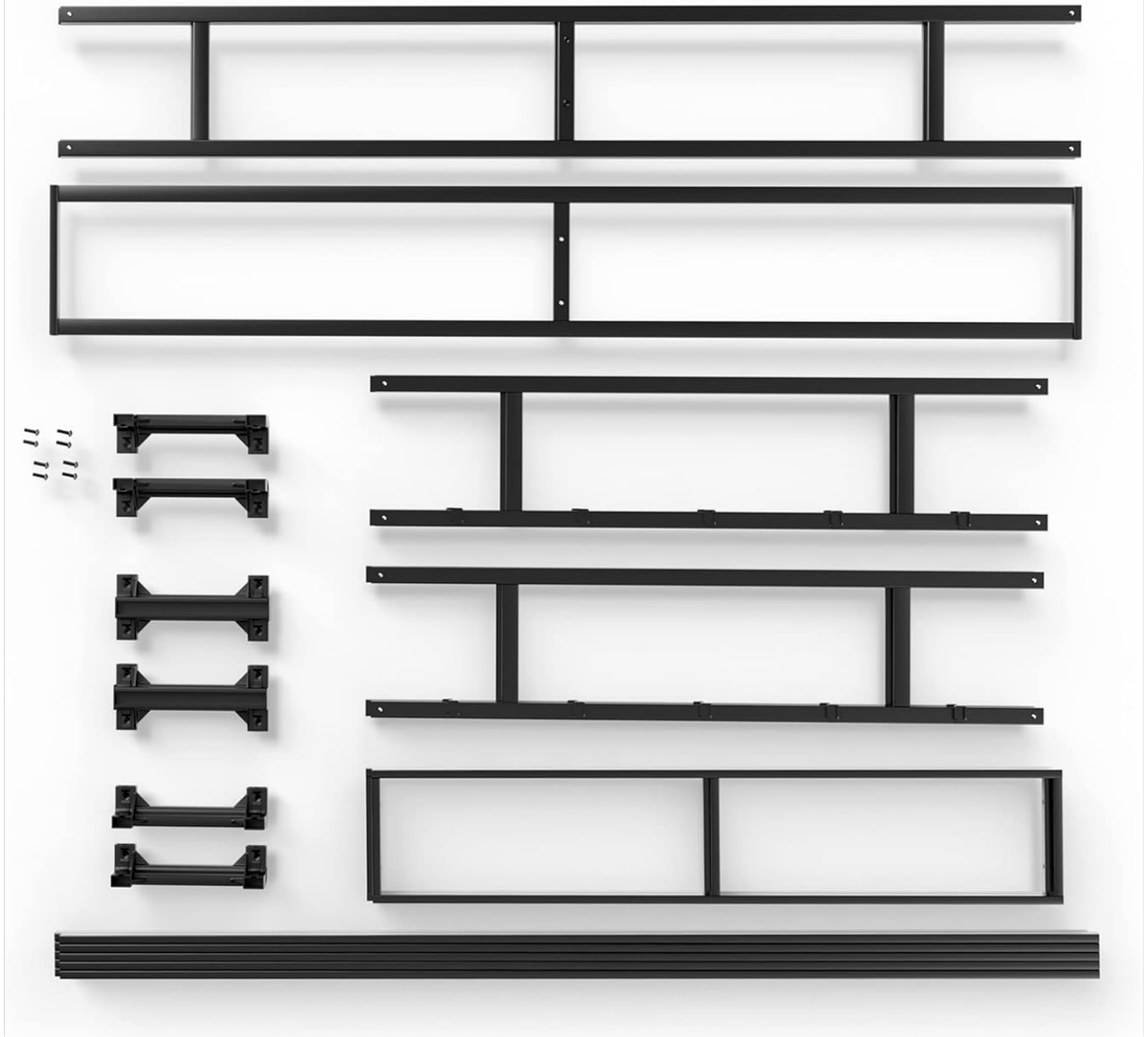


Image: Hands applying the elastic band cover to the box spring frame, demonstrating its easy on and off feature.

USAGE AND PLACEMENT

The ZINUS Smart Box Spring is designed to be placed on a compatible bed frame or platform bed. It serves as a foundation for your mattress, providing essential support and stability. Ensure the box spring is evenly supported across the entire surface of your bed frame.

ELASTIC BAND COVER

Easy on & off



Image: The box spring integrated into a bedroom setting, clarifying that the bed frame and mattress are not included with the box spring.

CARE AND MAINTENANCE

- To clean the box spring, simply wipe it with a dry cloth.
- Avoid using harsh chemicals or abrasive cleaners, as these may damage the finish or fabric.
- Regularly check all connections to ensure they remain tight and secure for optimal support and longevity.

SPECIFICATIONS

Feature	Detail
Size	King
Product Dimensions	78.7"L x 75.5"W x 7"H

Feature	Detail
Special Feature	Durable
Color	Grey
Finish Type	Steel
Included Components	Steel Frame, Cover
Compatible With Mattress Size	King
Brand	ZINUS
Furniture Finish	Alloy Steel
Product Care Instructions	Wipe with Dry Cloth
Assembly Required	Yes
Ground To Item Distance	7 Inches
Item Weight	44.1 pounds
Item Model Number	ZU-ABS-7KS
Form Factor	7 inch box spring

TOOL FREE LOCKING BRACKETS

For intuitive setup

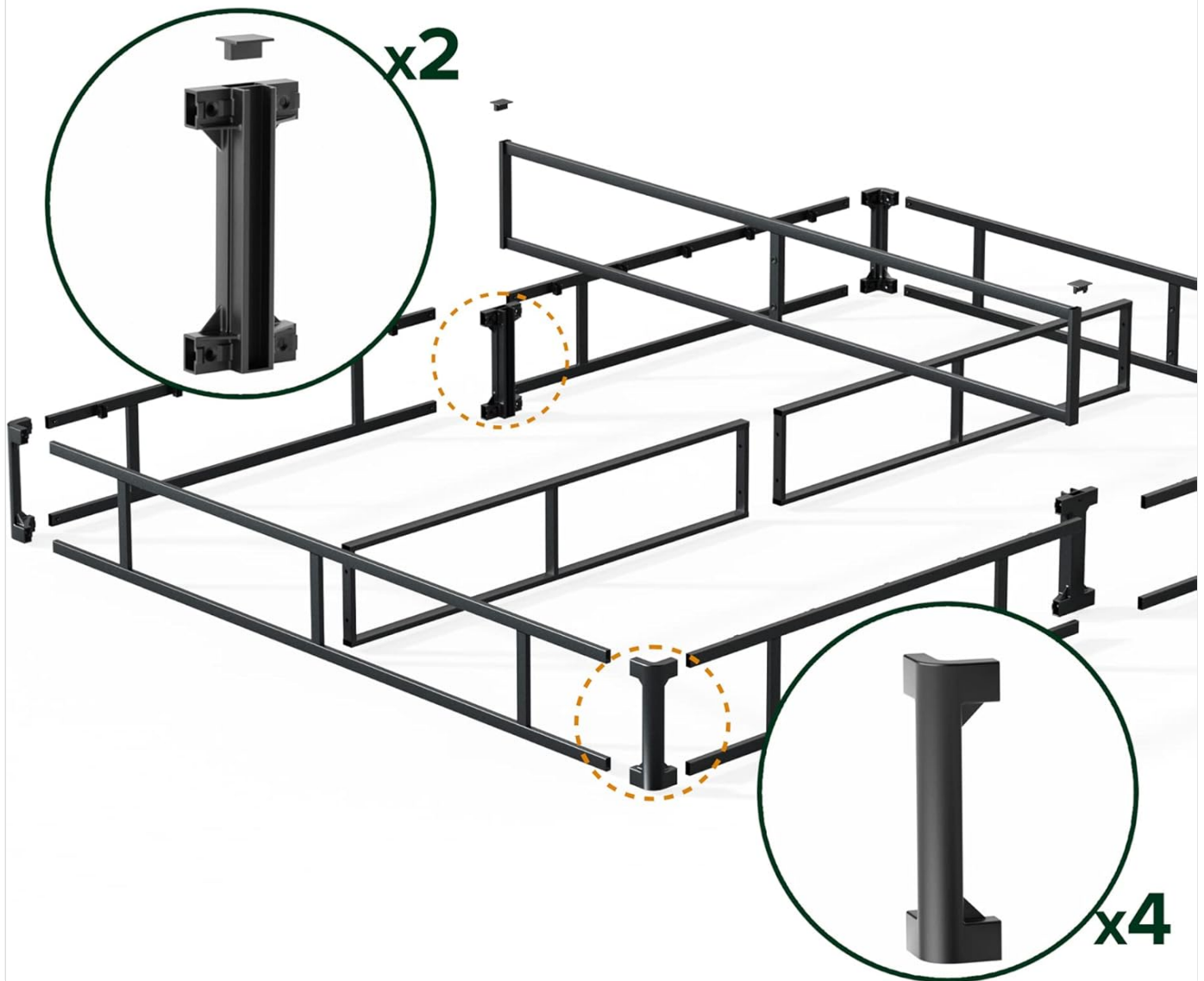


Image: Visual representation of the box spring's dimensions (75.5"W x 79"L x 7"H) and its 700 lbs weight capacity.

WARRANTY AND SUPPORT

The ZINUS 7 Inch Metal Smart Box Spring includes a 5-year worry-free limited warranty. Please retain your proof of purchase for warranty claims.

For further assistance, please visit the [ZINUS Store](#) or refer to the official [User Guide \(PDF\)](#) and [Installation Manual \(PDF\)](#) available on the product page.

- [User Guide \(PDF\)](#)
- [Installation Manual \(PDF\)](#)