



Manuals.plus /

› Xanlite /

› Xanlite PRS1500DB Solar Spotlight User Manual

## Xanlite PRS1500DB

# Xanlite PRS1500DB Solar Spotlight User Manual

## 1. PRODUCT OVERVIEW

The Xanlite PRS1500DB is an autonomous LED solar spotlight designed for outdoor use. It features a motion sensor, two lighting modes, and provides 1500 lumens of bright illumination. Its IP54 rating ensures resistance to water splashes, making it suitable for various outdoor environments like patios and gardens. This product is designed for energy efficiency and ease of installation.

### Key Features:

- **Solar Powered:** Operates autonomously using solar energy, promoting energy savings.
- **High Brightness:** Delivers 1500 lumens for effective outdoor lighting.
- **Motion Sensor:** Automatically activates at night upon detecting movement.
- **Durable Design:** Modern design with robust, weather-resistant materials (IP54 rated).
- **Easy Installation:** Designed for simple setup in outdoor spaces.



**Figure 1:** Front view of the Xanlite PRS1500DB Solar Spotlight.



**Figure 2:** Key features of the Xanlite PRS1500DB, including IP54 rating, extended autonomy, 1500 lumens, and solar power.

## 2. SAFETY INFORMATION

Please read all safety instructions before installing and operating the Xanlite PRS1500DB Solar Spotlight. Failure to follow these instructions may result in electric shock, fire, or serious injury.

- Ensure the product is installed in a location where it receives direct sunlight for optimal charging.
- Do not attempt to disassemble or modify the product. This will void the warranty and may cause damage or injury.
- Keep the solar panel clean to ensure efficient charging.
- This product is designed for outdoor use and is IP54 rated for water resistance. Do not submerge it in water.
- Avoid looking directly into the LED light when it is on, as it can be very bright.
- Dispose of the product and its components responsibly according to local regulations at the end of its lifespan.

## 3. PACKAGE CONTENTS

Verify that all components are present and in good condition before installation.

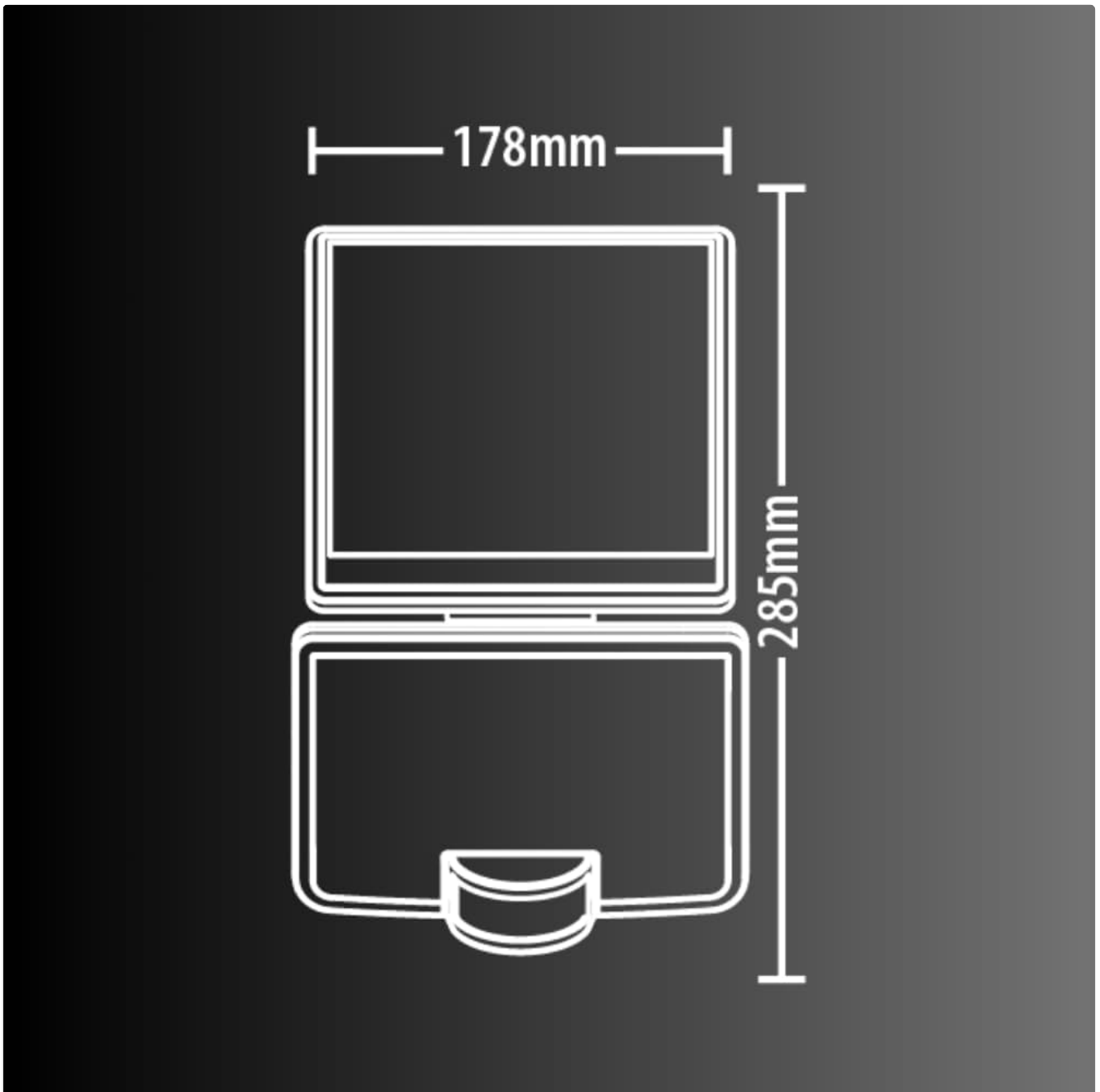
- Xanlite PRS1500DB Solar Spotlight Unit
- Mounting Hardware (screws, wall plugs)
- User Manual (this document)

## 4. SETUP AND INSTALLATION

---

Follow these steps to properly install your solar spotlight.

1. **Choose a Location:** Select an outdoor location that receives at least 6-8 hours of direct sunlight daily for the solar panel. Ensure the light can illuminate the desired area effectively. Avoid areas under eaves or heavy shade.
2. **Mark Drilling Points:** Hold the spotlight unit against the desired mounting surface (wall, fence, etc.) and mark the positions for drilling holes using a pencil. Refer to the dimensions image for proper spacing.



**Figure 3:** Dimensions of the Xanlite PRS1500DB Solar Spotlight for mounting.

3. **Drill Holes:** Use an appropriate drill bit for your mounting surface and drill holes at the marked points. Insert wall plugs if necessary.

4. **Mount the Spotlight:** Align the spotlight with the drilled holes and secure it firmly using the provided screws.



**Figure 4:** Xanlite PRS1500DB Solar Spotlight installed on an exterior wall, demonstrating its appearance when active.

5. **Initial Charge:** Allow the solar panel to charge for at least 24-48 hours in direct sunlight before first use to ensure the battery is fully charged. The light may not operate optimally if not fully charged initially.

## 5. OPERATING INSTRUCTIONS

---

The Xanlite PRS1500DB Solar Spotlight is designed for automatic operation.

### Automatic Operation:

- During the day, the solar panel charges the internal battery.
- At dusk, the light will automatically enter a standby mode.
- When the motion sensor detects movement within its range, the spotlight will activate at full brightness (1500 lumens) for a set duration.
- After the set duration or when no further motion is detected, the light will either dim to a lower brightness mode or turn off, depending on the selected lighting mode.

## Lighting Modes:

The PRS1500DB features two lighting modes. Refer to the product's physical switch or button (if present) to cycle between these modes. Typically, these modes are:

1. **Mode 1 (Motion Activated Full Brightness):** The light remains off until motion is detected, then illuminates at 1500 lumens for approximately 20-30 seconds before turning off.
2. **Mode 2 (Dim Light + Motion Activated Full Brightness):** The light stays on at a low brightness (e.g., 100-200 lumens) from dusk till dawn. When motion is detected, it brightens to 1500 lumens for approximately 20-30 seconds, then returns to dim light.

Consult the specific instructions on the product packaging or a dedicated button for mode selection, as this can vary.



**Figure 5:** Detail of the integrated motion sensor on the spotlight.



**Figure 6:** The solar spotlight actively illuminating an outdoor area at night.

## 6. MAINTENANCE

---

Regular maintenance ensures optimal performance and extends the lifespan of your solar spotlight.

- **Clean the Solar Panel:** Periodically wipe the solar panel with a soft, damp cloth to remove dust, dirt, leaves, or snow. A clean panel ensures maximum sunlight absorption and efficient battery charging.
- **Clean the Light Fixture:** Clean the LED light cover and housing with a soft, damp cloth. Avoid abrasive cleaners or solvents.
- **Check Mounting:** Occasionally check that the spotlight is securely mounted and that all screws are tight.
- **Battery Replacement:** The internal battery is typically not user-replaceable. If the light's performance significantly degrades after several years, consider replacing the unit.

## 7. TROUBLESHOOTING

---

If your Xanlite PRS1500DB Solar Spotlight is not functioning as expected, try the following solutions:

Problem	Possible Cause	Solution
Light does not turn on at night.	Insufficient solar charge.	Ensure the solar panel receives 6-8 hours of direct sunlight daily. Clean the solar panel. Allow 24-48 hours for initial charge.
Light stays on during the day.	Solar panel is not detecting darkness.	Ensure the solar panel is not obstructed or exposed to other light sources at night (e.g., streetlights).
Motion sensor is not working.	Sensor obstructed or dirty.	Clean the motion sensor lens. Ensure there are no obstructions in front of the sensor.
Light is dim or only stays on for a short time.	Low battery charge or aging battery.	Ensure adequate solar charging. If the product is old, the battery may be reaching the end of its lifespan.

## 8. SPECIFICATIONS

Detailed technical specifications for the Xanlite PRS1500DB Solar Spotlight.

Feature	Detail
Brand	Xanlite
Model Number	PRS1500DB
Model Name	SOLAR LED WALL FLOODLIGHT IP54, ABS WHITE, MOTION SENSOR, 2 LIGHTING MODES, 1500 LUMENS
Light Source Type	LED
Brightness	1500 lumens
Power Source	Solar-powered
Special Features	Motion Sensor, Water-resistant (IP54)
Material	Metal (Housing), Plastic (Shade)
Color	White
Mounting Type	Wall Mount
Room Type	Garden, Patio
Water Resistance Level	IP54 (Water-resistant)
Number of Light Sources	1
Assembly Required	Yes

## 9. WARRANTY AND SUPPORT

Xanlite products are designed for quality and reliability. For specific warranty information, please refer to the documentation included with your purchase or visit the official Xanlite website. If you encounter any issues or require technical assistance, please contact Xanlite customer support through their official channels.

