

[Manuals.plus](#) /

> [Basicwise](#) /

> Basicwise White Tall Standing Linen Tower Storage Cabinet User Manual

Basicwise QI004021.WT

Basicwise White Tall Standing Linen Tower Storage Cabinet User Manual

Model: QI004021.WT | Brand: Basicwise

IMPORTANT SAFETY INFORMATION

Please read all instructions carefully before assembly and use. Keep this manual for future reference. Failure to follow these instructions may result in injury or damage to the product.

- Ensure all parts are present and undamaged before beginning assembly.
- Assemble on a soft, clean surface to prevent scratching.
- Do not overtighten screws during assembly.
- Do not exceed the stated weight limit of 10 pounds per shelf.
- For stability, place the cabinet on a flat, level surface.
- Keep small parts away from children during assembly.

PRODUCT OVERVIEW

The Basicwise White Tall Standing Linen Tower Storage Cabinet is designed to help organize bathroom essentials efficiently. It features a modern design with versatile storage options.

Key Features

- **Dimensions:** 11" W x 11.75" D x 67.25" H, providing a tall, space-saving storage solution.
- **Multi-use Design:** Freestanding cabinet suitable for bathrooms, bedrooms, or vanity areas.
- **Storage Versatility:** Includes 2 open shelves for easy access, a convenient drawer, and 2 closed cabinet sections for private belongings.
- **Privacy and Organization:** High storage capacity in the closed sections for bathroom accessories and tall items, with open shelves for smaller toiletries.
- **Ample Storage:** Designed to maximize storage space while maintaining a compact footprint.

Product View





Figure 1: Front view of the Basicwise White Tall Standing Linen Tower Storage Cabinet, showcasing its compact design and various storage compartments.



Figure 2: The storage cabinet integrated into a bathroom environment, demonstrating its practical use for organizing towels and toiletries.

SETUP AND ASSEMBLY

Assembly of the Basicwise Linen Tower requires careful attention to detail. Please follow the steps outlined in the official installation manual for best results. All necessary hardware is included.

For detailed, step-by-step assembly instructions, please refer to the official PDF manual:

[Download Installation Manual \(PDF\)](#)

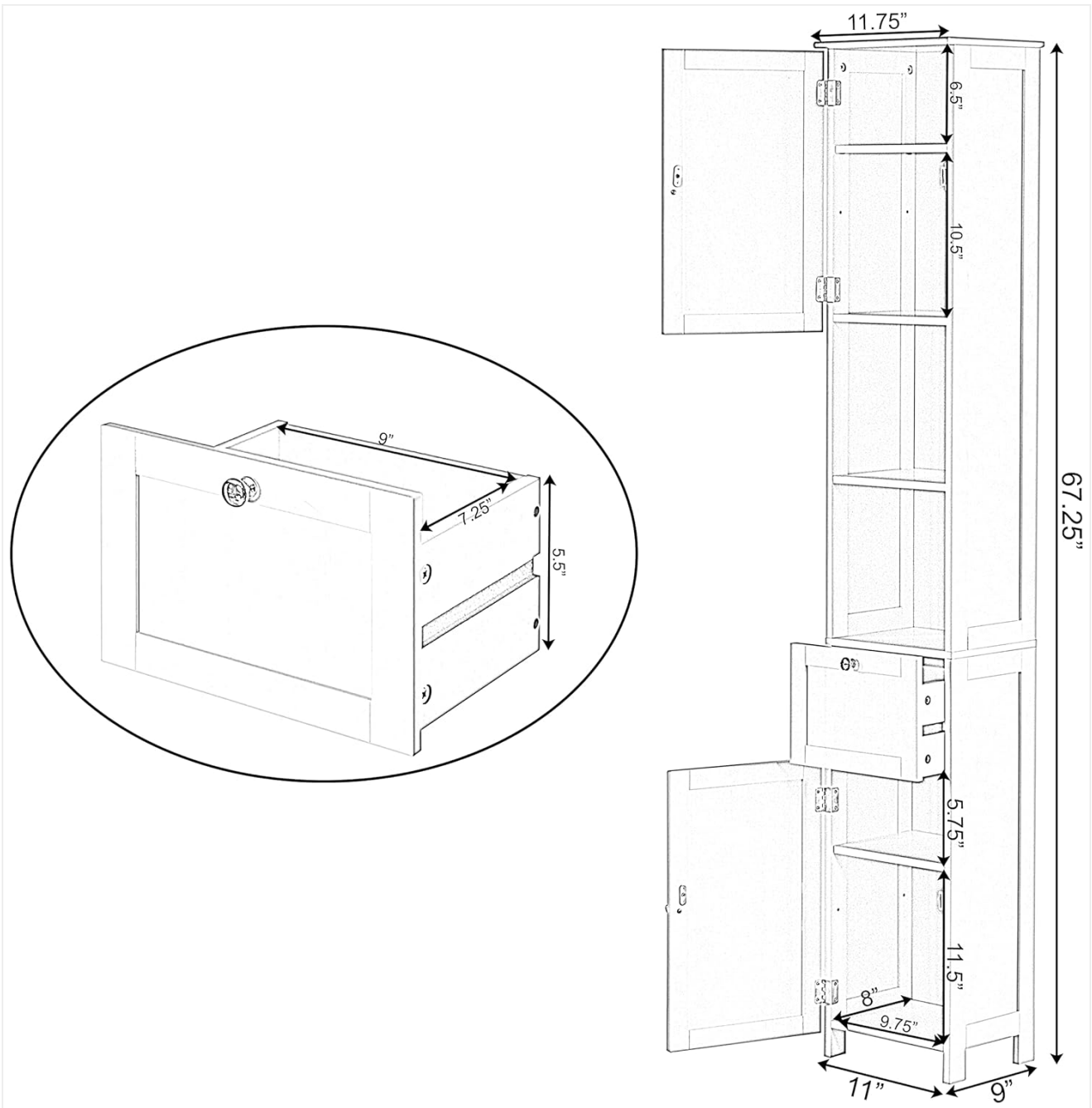


Figure 3: Detailed assembly diagram showing the various components and their dimensions, crucial for correct setup.

Before starting, ensure you have a Phillips head screwdriver and a soft cloth to protect surfaces during assembly.

OPERATING INSTRUCTIONS

The Basicwise Linen Tower is designed for straightforward use. Once assembled and placed in its desired location, it functions as a versatile storage unit.

- **Open Shelves:** Utilize the two open shelves for items that require frequent access or for decorative display, such as rolled towels, small plants, or frequently used toiletries.
- **Drawer:** The central drawer is ideal for storing smaller, loose items that you wish to keep out of sight but easily accessible, like combs, brushes, or small accessories.

- **Closed Cabinets:** The top and bottom closed cabinet sections provide discreet storage for personal items, cleaning supplies, or taller bottles. Open the doors using the knobs provided.
- **Weight Distribution:** For optimal stability, distribute the weight of stored items evenly across shelves and within cabinets. Avoid placing heavy items exclusively on upper shelves.



Figure 4: The cabinet with its doors open, illustrating the accessible open shelves, the pull-out drawer, and the spacious closed compartments for various items.

MAINTENANCE AND CARE

Proper care will ensure the longevity and appearance of your Basicwise Linen Tower.

- **Cleaning:** Wipe surfaces with a soft, damp cloth. Avoid using harsh chemicals, abrasive cleaners, or polishes that may damage the painted finish.
- **Spills:** Immediately wipe up any spills to prevent water damage or staining, especially in a bathroom environment.
- **Humidity:** While designed for bathrooms, excessive humidity can affect wood products. Ensure adequate ventilation in the room.

- **Inspection:** Periodically check all screws and fasteners to ensure they remain tight. Retighten if necessary, but do not overtighten.
- **Relocation:** When moving the cabinet, lift it rather than dragging it to prevent damage to the legs or floor.

TROUBLESHOOTING

This section addresses common issues you might encounter with your storage cabinet.

Problem	Possible Cause	Solution
Cabinet is wobbly or unstable.	Uneven floor surface; loose assembly screws.	Ensure the cabinet is on a flat, level surface. Check and tighten all assembly screws.
Drawer does not slide smoothly.	Drawer slides are misaligned or obstructed.	Verify that the drawer slides are correctly installed and free of debris. Apply a small amount of silicone lubricant if needed.
Doors do not close properly.	Hinges are loose or misaligned; cabinet is not level.	Check and adjust the hinge screws. Ensure the cabinet is level.
Scratches or minor damage on surface.	Impact during assembly or use.	For minor scratches, a furniture touch-up pen matching the white finish may be used.

SPECIFICATIONS

Attribute	Detail
Brand	Basicwise
Model Number	QI004021.WT
Color	White
Product Dimensions	9"D x 11.75"W x 67.25"H
Item Weight	26 Pounds
Weight Limit (per shelf)	10 Pounds
Material	Wood
Finish Type	Painted
Mounting Type	Floor Mount (Freestanding)
Room Type	Bathroom
Number of Shelves	2 (open)
Number of Levels	4 (including drawer and closed sections)

Attribute	Detail
Assembly Required	Yes
UPC	651355240216
Date First Available	April 5, 2022

WARRANTY INFORMATION

Basicwise products are manufactured with quality and durability in mind. For specific warranty terms and conditions, please refer to the documentation included with your purchase or visit the official Basicwise website. Keep your proof of purchase for any warranty claims.

CUSTOMER SUPPORT

If you have any questions regarding the assembly, operation, or maintenance of your Basicwise White Tall Standing Linen Tower Storage Cabinet, please contact Basicwise customer support. You can typically find contact information on the Basicwise brand website or through the retailer where the product was purchased.

For additional resources and product information, you may visit the [Basicwise Store on Amazon](#).