

COBI 4833

COBI Battleship Yamato Model 4833 Instruction Manual

Model: 4833 | Brand: COBI

IMPORTANT SAFETY INFORMATION

WARNING: Choking Hazard - Small Parts.

This product contains small parts which may pose a choking hazard for children under 3 years of age. Adult supervision is recommended during assembly and play. Keep all packaging materials away from children.

INTRODUCTION

Thank you for choosing the COBI Battleship Yamato Model 4833 building block set. This set allows you to construct a detailed 1:300 scale replica of the historical Japanese battleship Yamato, consisting of 2665 high-quality plastic elements. The blocks are designed to maintain their shape and color over time, ensuring a durable and impressive model.

This manual provides essential information for the assembly, care, and display of your model. Please read all instructions carefully before beginning assembly.



Image: The COBI Battleship Yamato Model 4833 packaging, displaying the completed model and its features.

ASSEMBLY INSTRUCTIONS

The COBI Battleship Yamato Model 4833 is designed for enthusiasts aged 12 years and older. Assembly is a manual process that requires attention to detail and patience. The set includes clear and intuitive instructions based on detailed drawings and symbols to guide you through each step.

Preparation

- Unpack all components and verify that all 2665 elements are present.
- Organize the building blocks by type or color to facilitate easier assembly.
- Ensure you have a clean, well-lit, and spacious work surface.

Assembly Steps

Follow the included instruction booklet step-by-step. Each stage is illustrated to show the correct placement of blocks. Pay close attention to the orientation of pieces, especially for symmetrical sections.

Key Assembly Features:

- **Hull Construction:** Begin with the base of the hull, ensuring a stable foundation for the entire model.
- **Deck Details:** Carefully place deck elements, including the main artillery turrets and auxiliary weapons.
- **Superstructure:** Build the bridge, smokestacks, and other intricate parts of the ship's superstructure.
- **Propellers and Rudder:** Attach the functional propellers and rudder components to the underside of the hull.
- **Aircraft:** Assemble and place the Nakajima seaplanes on their catapults.

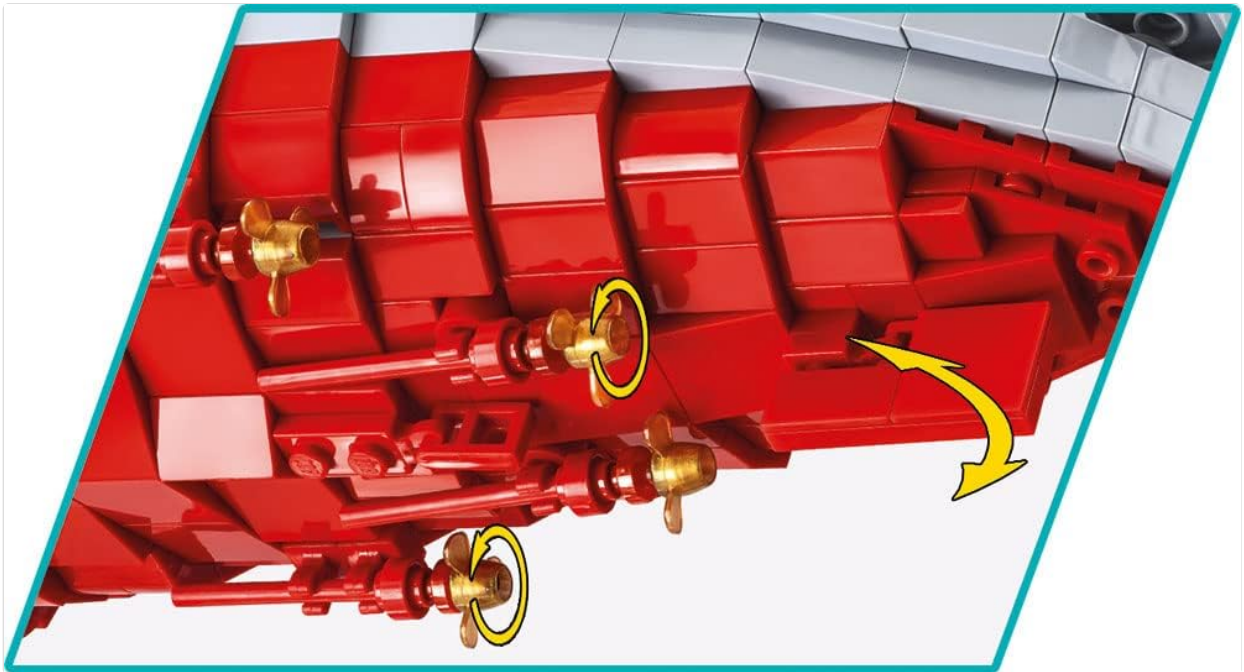


Image: Close-up view of the model's underside, highlighting the propellers and rudder for realistic movement.

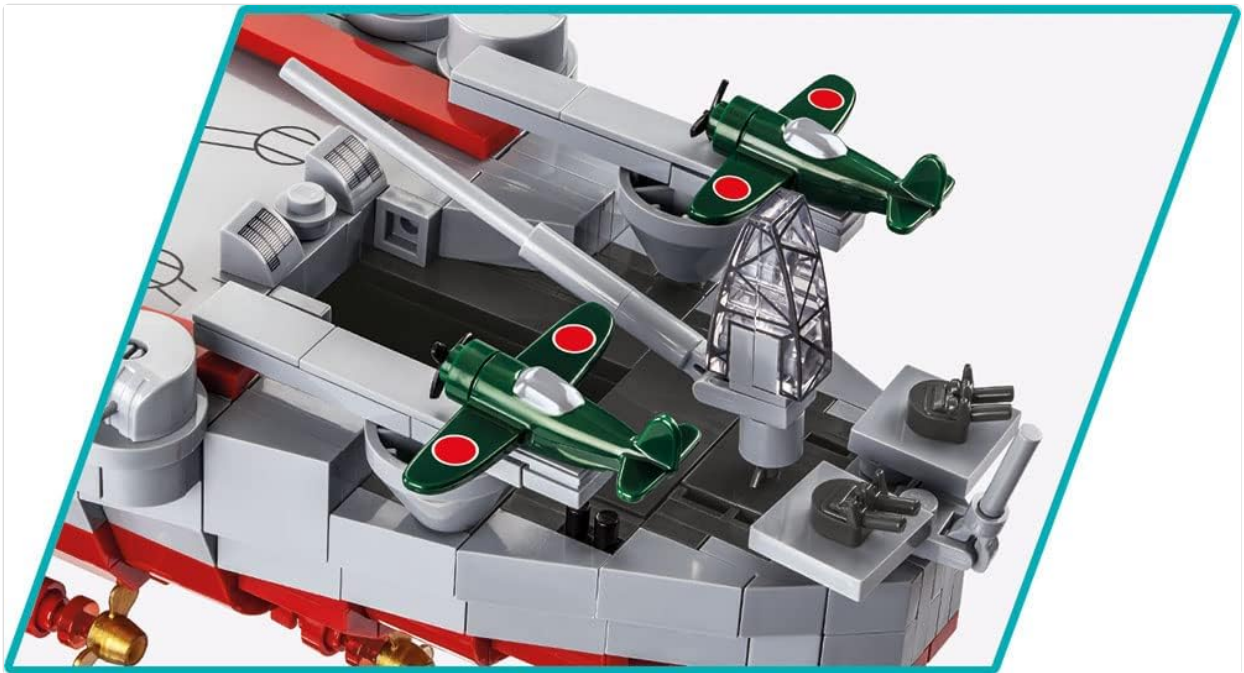


Image: The model's deck featuring two detailed Nakajima seaplanes positioned on their catapults.

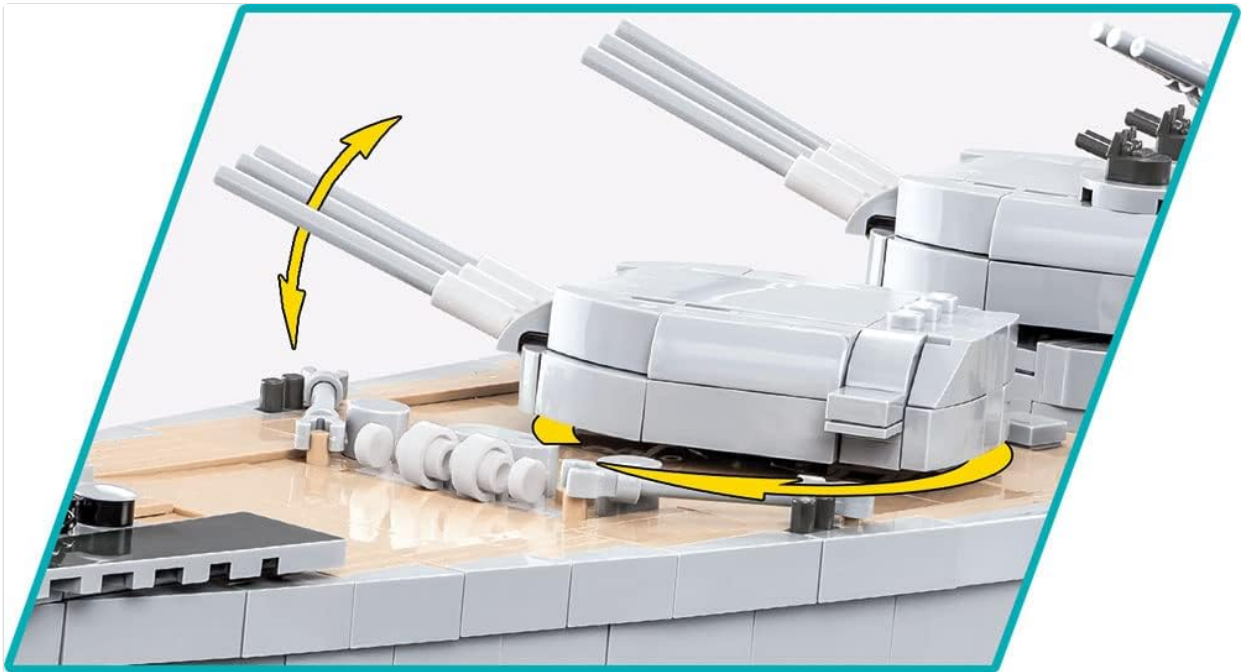


Image: Close-up of the main artillery turrets, illustrating their rotational and elevation capabilities.

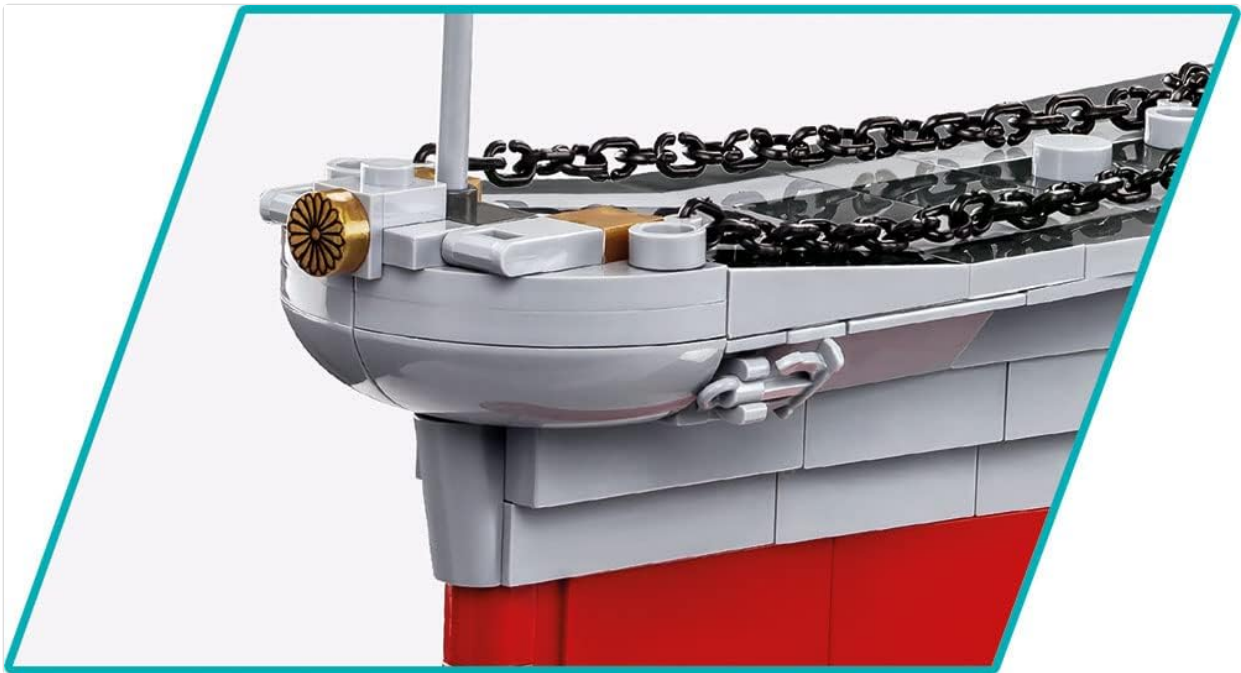


Image: The detailed bow section of the model, complete with anchor chains and intricate hull plating.

OPERATING FEATURES

Once assembled, your COBI Battleship Yamato model offers several interactive features:

- **Movable Turrets:** The main artillery turrets can be rotated and their barrels adjusted for elevation.
- **Propellers:** The propellers on the underside of the hull are designed to rotate manually.
- **Display Stand:** The model includes a dedicated display stand with the ship's nameplate, allowing for stable and prominent display.



Image: The fully assembled COBI Battleship Yamato model, showcasing its detailed design and display stand.

MAINTENANCE

To ensure the longevity and appearance of your COBI Battleship Yamato model, follow these maintenance guidelines:

- **Cleaning:** Dust the model regularly with a soft, dry cloth or a soft brush. For stubborn dirt, a slightly damp cloth can be used, but avoid excessive moisture.
- **Storage:** Store the model in a cool, dry place away from direct sunlight to prevent discoloration or material degradation.
- **Handling:** Handle the model carefully, especially when moving it, to avoid accidental detachment of small parts.

TROUBLESHOOTING

Missing or Damaged Parts

In the rare event of missing or damaged parts, please contact COBI customer support. Refer to the part numbers in the instruction manual when reporting issues.

Loose Connections

If parts become loose, gently re-attach them by pressing firmly. COBI blocks are designed for a strong, secure fit.

Assembly Difficulties

If you encounter difficulties during assembly, review the instruction manual carefully. Ensure all pieces are correctly oriented and fully pressed into place. Sometimes, taking a short break and returning to the step can help.

SPECIFICATIONS

Feature	Detail
Brand	COBI
Model Name	Battleship Yamato
Model Number	4833
Number of Elements	2665
Material	Plastic
Assembled Dimensions (L x W x H)	89.9 cm x 20.6 cm x 10.2 cm (approx. 35.4 in x 8.1 in x 4.0 in)
Scale	1:300
Recommended Age	12 - 99 years (144 - 1188 months)
Educational Objective	Construction and assembly skills development
Operation Mode	Manual
Batteries Required	No

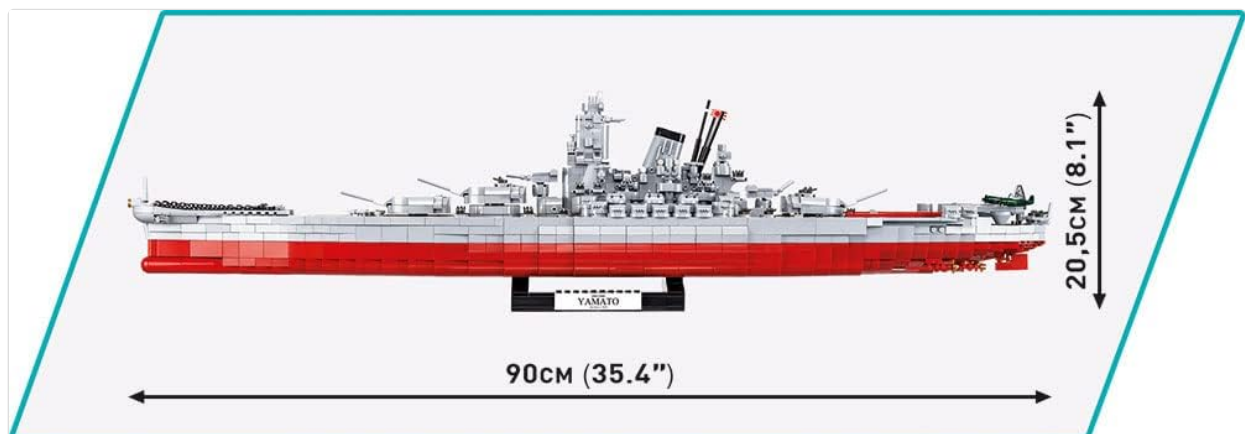


Image: Dimensional overview of the assembled model, indicating a length of 90 cm (35.4 inches) and a height of 20.5 cm (8.1 inches).

BATTLESHIP YAMATO

PLACE OF ORIGIN - JAPAN

TYPE - YAMATO-CLASS BATTLESHIP, HEAVIEST AND MOST POWERFULLY ARMED BATTLESHIP EVER CONSTRUCTED

LAUNCHED - 8 AUGUST 1940

COMMISSIONED - 16 DECEMBER 1941

FATE - SUNK, 7 APRIL 1945

DISPLACEMENT - 65027_T (143,306,423_{LB})

LENGTH - 263_M (862' 10")

BEAM - 38,9_M (127' 7")

PROPULSION - 4x SHAFTS, 4x STEAM TURBINES

150000_{SHP} (111855_{KW})

ARMAMENT - MAIN ARTILLERY 3x TRIPLE 46_{CM} (18.1") GUNS

AUXILIARY ARTILLERY, ANTI-AIRCRAFT GUNS

AIRCRAFT CARRIED - 7x NAKAJIMA SEAPLANES (2 CATAPULTS)

SPEED - 27,5_{KNOTS} (50_{KM/H}, 31.1_{MPH})

RANGE - 7200_{NMI} (13300_{KM}, 8300_{MI})

CREW - 2500/2800



Image: Historical data and specifications of the real Battleship Yamato, providing context for the model.

WARRANTY AND SUPPORT

COBI products are manufactured to high-quality standards. For any questions regarding assembly, missing parts, or product support, please refer to the contact information provided on the product packaging or visit the official COBI website.

Please retain your proof of purchase for any warranty claims.