

ulip M365 Rack (ush001)

Ulip Electric Scooter Rear Storage Rack User Manual

Model: M365 Rack (ush001)

1. INTRODUCTION

Thank you for choosing the Ulip Electric Scooter Rear Storage Rack. This manual provides essential information for the proper installation, usage, and maintenance of your new accessory. Designed for convenience and durability, this rear rack enhances the utility of your electric scooter by providing additional carrying capacity.

Compatible Models: This rear storage rack is specifically designed for Xiaomi M365, 1S, Pro, Pro2, MI3, and Lite electric scooters.

2. KEY FEATURES

- **Divided Rack Design:** Unlike traditional welded racks prone to breakage, Ulip racks feature a robust divided design, connected securely with screws for enhanced strength and durability.
- **Anti-Corrosion Coating:** The surface is treated with an anti-oxidation coating, providing superior resistance against corrosion and wear, ensuring a long service life.
- **Thick Steel Material:** Constructed from high-quality 8mm thick steel, the rack is smooth, anti-corrosion, and rust-proof. Its durable construction prevents paint peeling and ensures it is not easily damaged.
- **Easy Installation:** The rack requires no complex procedures for installation, attaching simply with screws. It does not interfere with the folding mechanism of your electric scooter.
- **Strong Load Capacity:** Thick and sturdy, this rack is designed to withstand heavy loads, allowing you to safely transport items such as helmets, backpacks, raincoats, and groceries.

8mm Thickness
High-Quality Material



More Safer



8mm Thickness



Not easy to break

Figure 2.1: High-Quality 8mm Thick Steel Construction

Suitable For Xiaomi Electric Scooters

Including Xiaomi M365/1S/Lite, Pro/Pro2, Mi 3 scooters

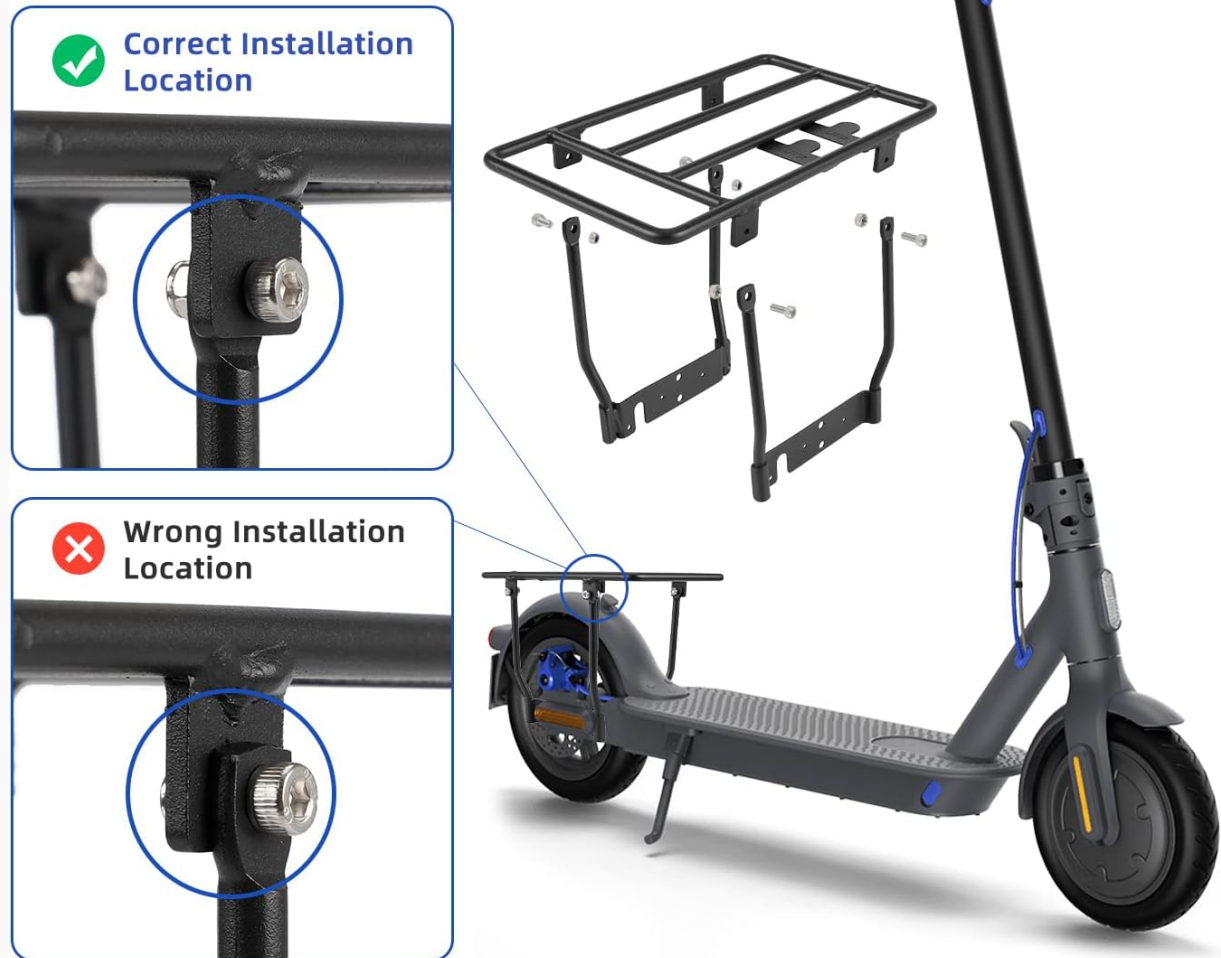


Figure 2.2: Detachable Design and Steel Fixing Plate

3. PACKAGE CONTENTS

Please ensure all items are present and in good condition upon opening the package:

- 1 x Ulip Electric Scooter Rear Storage Rack
- 4 x Screws
- 4 x Nuts

4. SPECIFICATIONS

Attribute	Value
Brand	ulip
Model Number	ush001
Material	Thick Steel Alloy

Attribute	Value
Color	Black
Dimensions (Approx.)	27 cm (L) × 16 cm (W) × 4 cm (H)
Load Capacity	Up to 59 kg (130 lbs)
Item Weight	760 g
Installation Type	U-shaped screw mount
Compatible Wheel Size	8.5 inch

5. SETUP & INSTALLATION

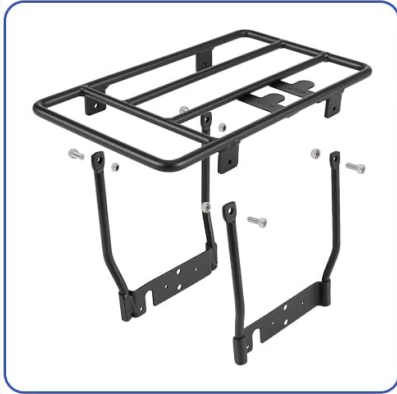
Before Installation:

- Ensure your scooter is turned off and stable.
- Gather all components listed in Section 3.
- Familiarize yourself with the scooter's rear fender and wheel assembly.

Installation Steps:

1. **Assemble the Rack:** Connect the main rack frame with the support arms using the provided screws and nuts. Ensure all connections are snug but do not overtighten yet.
2. **Remove Scooter Reflector:** Carefully remove the side reflectors from your scooter's rear fender.
3. **Position the Rack:** Place the assembled rear rack onto the scooter's rear wheel assembly. Align the mounting holes on the rack's support arms with the corresponding holes on the scooter's frame where the reflectors were removed.
4. **Secure the Rack:** Insert the screws through the rack's support arms and the scooter's frame. Secure them with the nuts. Ensure the rack is firmly attached and stable.
5. **Reinstall Reflectors:** If applicable, reinstall the side reflectors onto the rack's support arms or in a suitable location.
6. **Final Tightening:** Once the rack is correctly positioned and all screws are in place, tighten all screws securely. Do not overtighten to avoid damaging the scooter or rack.

Installation Steps



Step 01: Assemble the shelves



Confirm whether the installation location is correct



Step 02: Remove the side reflectors



Step 03: Fasten the assembled rack to the rear wheel



Step 04: Install side reflectors



Step 05: Installation completed

Figure 5.1: Visual Guide to Installation Steps

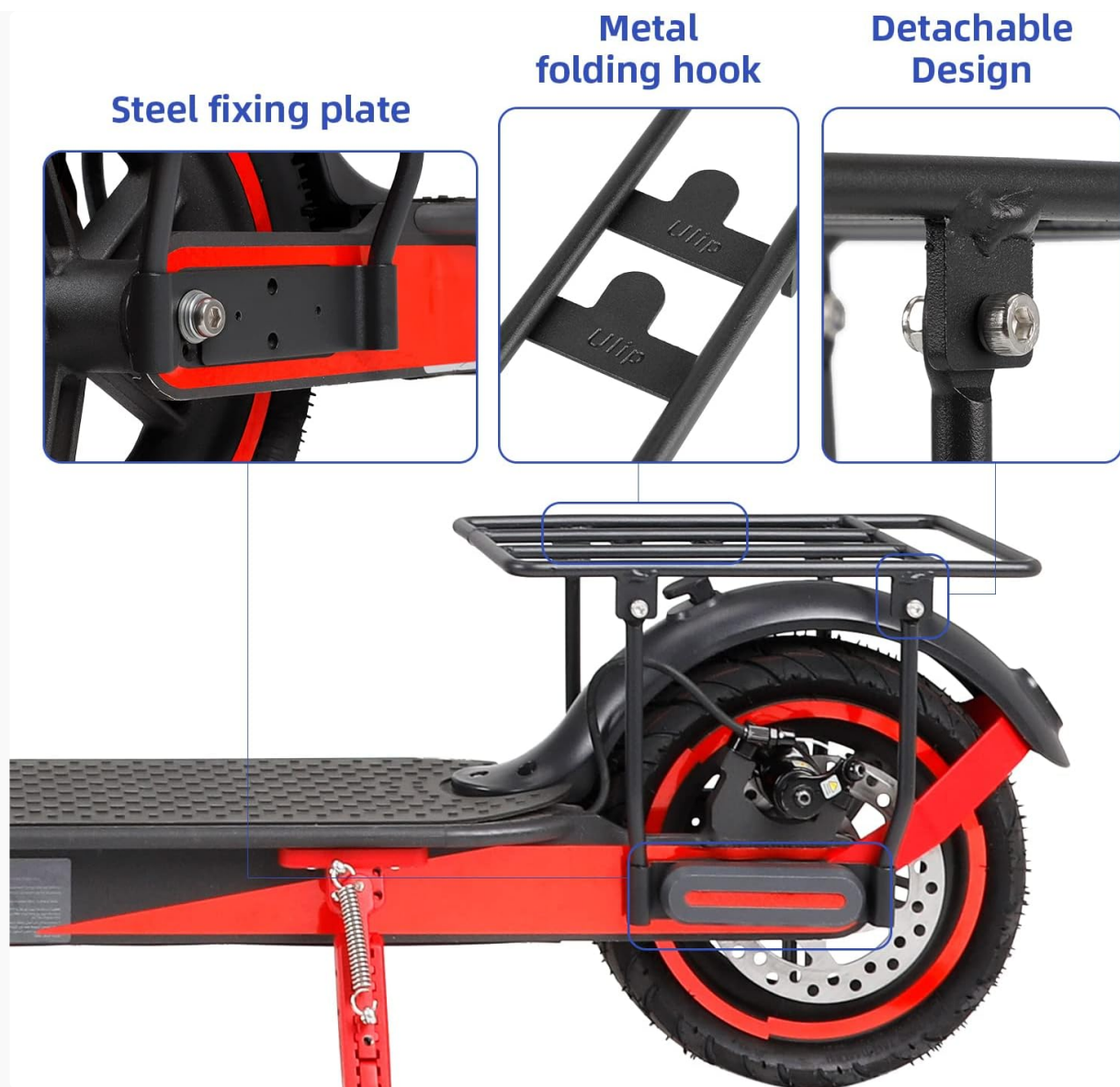


Figure 5.2: Correct Installation Location for Xiaomi Scooters

6. USAGE

The Ulip Rear Storage Rack is designed to carry various items, improving your scooter's practicality. Always ensure items are securely fastened to the rack to prevent shifting during transit, which could affect balance and safety.

- **Load Capacity:** Do not exceed the maximum load capacity of 59 kg (130 lbs). Overloading can damage the rack, scooter, or lead to instability.
- **Secure Items:** Use bungee cords, straps, or nets to firmly secure any items placed on the rack. Loose items can fall off or interfere with the scooter's moving parts.
- **Balance:** Distribute weight evenly on the rack to maintain scooter balance, especially when turning or braking.
- **Visibility:** Ensure that items on the rack do not obstruct your view, the scooter's lights, or reflectors.



Figure 6.1 : Enhanced Riding Experience with Proper Load Distribution

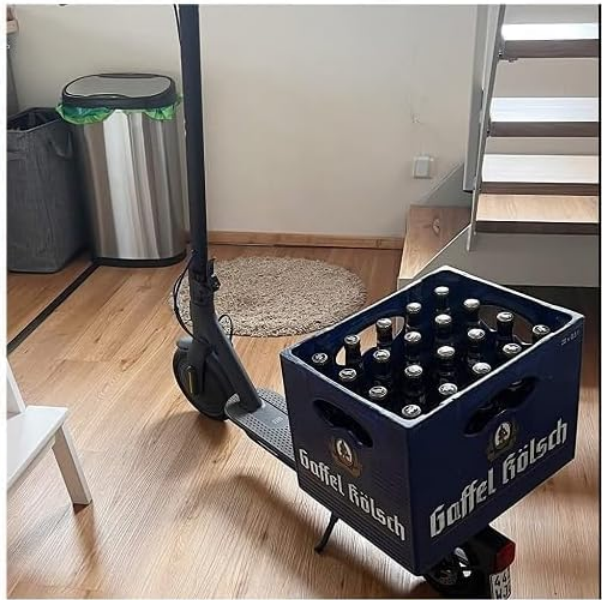


Figure 6.2: Examples of Items Carried on the Rack

7. MAINTENANCE

Regular maintenance will ensure the longevity and safe operation of your Ulip Rear Storage Rack:

- **Cleaning:** Wipe the rack with a damp cloth to remove dirt and grime. Avoid abrasive cleaners that could damage the anti-corrosion coating.
- **Inspection:** Periodically check all screws and nuts to ensure they are tight. Retighten if necessary.
- **Damage Check:** Inspect the rack for any signs of damage, such as bends, cracks, or significant paint chipping. If damage is found, discontinue use and consider replacement.
- **Rust Prevention:** While the rack has an anti-corrosion coating, prolonged exposure to moisture can still lead to rust. Dry the rack thoroughly after exposure to rain or wet conditions.

8. TROUBLESHOOTING

If you encounter issues with your Ulip Rear Storage Rack, refer to the following common problems and solutions:

Problem	Possible Cause / Solution
Rack does not fit my scooter model.	Ensure your scooter is a compatible Xiaomi M365, 1S, Pro, Pro2, MI3, or Lite model. Check the installation location as shown in Figure 5.2. Some scooter variations may require minor modifications (e.g., widening bolt holes) as noted by other users.
Rack feels unstable or wobbly after installation.	Ensure all screws and nuts are securely tightened. Recheck the installation steps to confirm correct assembly and positioning. Avoid overtightening, which can strip threads.
Missing screws or parts from the package.	Verify package contents against Section 3. If parts are missing, contact customer support immediately for assistance.
Paint is chipping or rust is appearing.	While coated, extreme conditions or physical abrasion can cause wear. Ensure proper cleaning and drying after exposure to moisture. Avoid scratching the surface.

9. WARRANTY & SUPPORT

Ulip products are manufactured to high-quality standards. For any questions, concerns, or issues regarding your rear storage rack, please contact Ulip customer support through the retailer's platform or the official Ulip website. Please have your purchase details and model number (ush001) ready when contacting support.

For warranty information, please refer to the terms and conditions provided at the time of purchase or visit the official Ulip product support page.