

[Manuals.plus](#) /

› [WINGBO](#) /

› WINGBO 54-Inch DC Ceiling Fan (Model SYCF5401) Instruction Manual

WINGBO SYCF5401

WINGBO 54-Inch DC Ceiling Fan (Model SYCF5401) Instruction Manual

5 Reversible Carved Solid Wood Blades, 6-Speed Noiseless DC Motor, Remote Control

1. SAFETY INFORMATION

Read all instructions carefully before beginning installation. Failure to follow these instructions could result in electric shock, fire, or personal injury.

- **Electrical Safety:** Always disconnect power at the main circuit breaker or fuse box before beginning installation or performing any maintenance. Ensure all electrical connections comply with local codes and ordinances. If you are unfamiliar with electrical wiring, consult a qualified electrician.
- **Mounting:** The ceiling fan must be mounted to a ceiling joist or a securely anchored support structure capable of supporting the fan's weight (approximately 17.61 pounds). Do not mount directly to drywall or plaster.
- **Blade Clearance:** Ensure there is adequate clearance between the fan blades and any obstructions (walls, furniture, etc.). A minimum of 7 feet (2.1 meters) from the floor to the blade level is recommended.
- **Moving Parts:** Avoid placing objects in the path of the fan blades. Do not operate the fan if blades are damaged or bent.
- **Cleaning:** Use a soft, damp cloth for cleaning. Do not use abrasive cleaners or solvents.

2. PACKAGE CONTENTS

Verify that all components are present and undamaged before proceeding with installation.

- DC Motor Assembly
- 5 Solid Wood Blades (Gray Finish)
- Mounting Bracket
- Canopy
- Downrods (4.5" and 12" included)
- Remote Control with Wall Holder

- Hardware Pack (screws, wire nuts, etc.)
- Instruction Manual



Image: WINGBO 54-Inch DC Ceiling Fan with remote control. The fan features a brushed nickel motor housing and five gray carved solid wood blades. A white remote control is shown next to the fan.

3. SETUP AND INSTALLATION

This section outlines the steps for installing your WINGBO DC Ceiling Fan. For a visual guide, please refer to the installation video below.

Video: Installation guide for the WINGBO 64-inch ceiling fan. This video demonstrates the process of replacing an old ceiling fan with a new WINGBO fan, including wiring and assembly steps.

1. Prepare for Installation:

- Turn off power at the circuit breaker.
- Remove any existing ceiling fan or light fixture.

2. Install Mounting Bracket:

- Secure the mounting bracket to the ceiling junction box using the provided screws. Ensure it is firmly attached to a structural support.
- Connect the house wiring (hot, neutral, ground) to the terminal block on the mounting bracket as indicated by the labels (L, N, G).

3. Assemble Downrod:

- Select the appropriate downrod length (4.5" or 12") for your ceiling height.

- Feed the fan's electrical wires through the downrod.
- Attach the downrod to the fan motor assembly, securing it with the provided pin and screws.



Image: Close-up of the brushed nickel downrod and canopy of the WINGBO ceiling fan, showing the connection point to the motor housing.

4. Hang Fan and Connect Wiring:

- Carefully lift the fan assembly and hang it on the mounting bracket.
- Connect the fan's wires to the receiver unit, matching colors (e.g., blue to blue, yellow to yellow).
- Connect the receiver unit's wires to the house wiring terminal block on the mounting bracket.

5. Attach Canopy and Blades:

- Slide the canopy up to cover the mounting bracket and secure it with screws.
- Attach each of the five solid wood blades to the motor housing using the provided screws. Ensure all screws are tightened securely.



Image: Detailed view of the WINGBO ceiling fan's central hub, showcasing the brushed nickel finish and the secure attachment points for the gray wood blades.

6. Final Checks:

- Double-check all connections.
- Ensure no wires are pinched.
- Restore power at the circuit breaker.

4. OPERATING INSTRUCTIONS

Your WINGBO DC Ceiling Fan is operated using the included remote control.



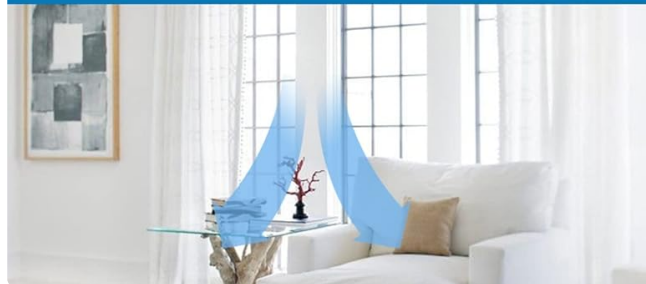
Image: The white remote control for the WINGBO ceiling fan, featuring buttons for fan speed (1-6), fan on/off, forward/reverse direction, and timer settings (1H, 2H, 4H, 8H).

- **Power On/Off:** Press the central fan icon button to turn the fan on or off.
- **Fan Speed:** Use buttons 1-6 to select your desired fan speed. 1 is the lowest speed, and 6 is the highest.
- **Directional Modes (Summer/Winter):**
 - Press the ↻ button to switch between forward (Summer Mode) and reverse (Winter Mode) rotation.
 - **Summer Mode (Forward):** Blades rotate counter-clockwise, pushing air downwards to create a cooling breeze.
 - **Winter Mode (Reverse):** Blades rotate clockwise, drawing air upwards to circulate warm air trapped near the ceiling.



Summer Mode

forward direction
force the air down



Winter Mode

reverse direction gently
draw the air up

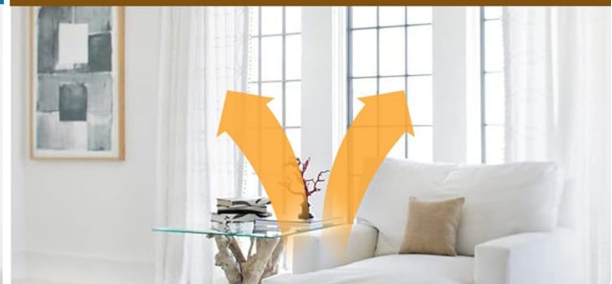


Image: Diagram illustrating the reversible function of the WINGBO ceiling fan. Summer mode (forward direction) pushes air down, while Winter mode (reverse direction) draws air up.

- **Timer Function:** Use the 1H, 2H, 4H, or 8H buttons to set the fan to automatically turn off after the selected duration.
- **Natural Wind Mode:** Press the wavy line button (≈) to activate Natural Wind mode, which simulates a natural breeze by varying fan speeds randomly.

Video: Overview of the WINGBO Ceiling Fan without Lights in Nickel and Gray, demonstrating its quiet operation and remote control functionality.

5. MAINTENANCE

Regular maintenance ensures optimal performance and longevity of your ceiling fan.

- **Cleaning:** Periodically clean the fan blades and motor housing with a soft, lint-free cloth. For stubborn dirt, use a slightly damp cloth. Ensure the fan is completely dry before operating.
- **Blade Inspection:** Check the blades for any signs of damage, cracks, or warping. Damaged blades can cause imbalance and excessive noise.
- **Tightness of Fasteners:** Annually, check all screws and fasteners on the fan assembly, including blade attachments and mounting hardware, to ensure they are secure.

- **Motor Lubrication:** The DC motor is permanently lubricated and does not require additional oiling.

6. TROUBLESHOOTING

If you experience issues with your ceiling fan, refer to the following common problems and solutions.

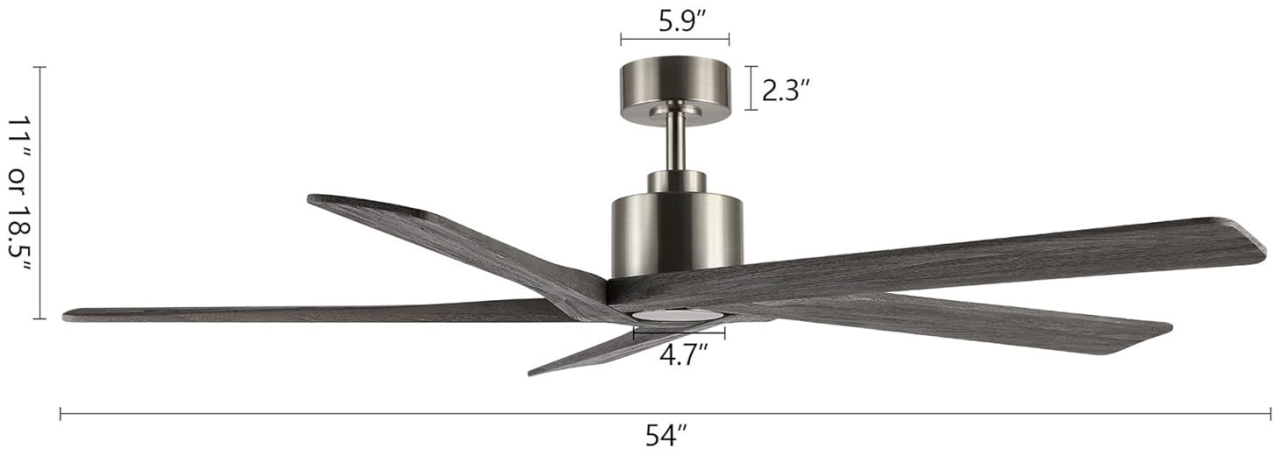
Problem	Possible Cause	Solution
Fan does not start	No power to the fan; Loose wire connections; Remote control battery low or not paired.	Check circuit breaker/fuses; Verify all wire connections are secure; Replace remote battery or re-pair remote.
Fan wobbles excessively	Loose blade screws; Unbalanced blades; Loose mounting bracket.	Tighten all blade screws; Use a blade balancing kit (not included) to balance blades; Ensure mounting bracket is securely fastened to the ceiling joist.
Noisy operation	Loose screws; Fan not properly seated on mounting bracket; Internal motor issue.	Check and tighten all screws; Ensure fan is correctly seated in the mounting bracket; If noise persists, contact customer support.
Remote control not working	Low or dead battery; Remote not paired with receiver; Obstruction between remote and receiver.	Replace battery; Follow pairing instructions in the manual; Ensure clear line of sight to the fan's receiver.

7. SPECIFICATIONS

- **Brand:** WINGBO
- **Model Name:** WINGBO 54 Inch DC Ceiling Fan without Lights
- **Model Number:** SYCF5401
- **Color:** Nickel and Gray
- **Product Dimensions:** 54"D x 54"W x 21"H
- **Blade Length:** 54 Inches
- **Number of Blades:** 5
- **Motor Type:** DC Motor
- **Power Source:** DC
- **Wattage:** 60 watts
- **Speed Settings:** 6 RPM (6 speeds)
- **Control Method:** Remote
- **Installation Type:** Downrod Mount
- **Indoor/Outdoor Usage:** Indoor (Damp Rated)
- **Special Feature:** No Light, Reversible Carved Solid Wood Blades
- **Certification:** ETL Listed
- **Item Weight:** 17.61 pounds

Dimension

4.5" and 12" down rod included



Mounting options



Downrod

Angled



Ideal for room
12'x12' to 18'x18'

Image: Diagram showing the dimensions of the WINGBO 54-inch ceiling fan, including its 54-inch diameter and height with both 4.5-inch and 12-inch downrods. It also illustrates downrod and angled mounting options.

8. WARRANTY AND SUPPORT

For warranty information or technical support, please refer to the documentation included with your purchase or visit the official WINGBO website. Keep your proof of purchase for any warranty claims.

You can visit the WINGBO Store for additional products and information: [WINGBO Store](#)