



Manuals.plus /

› Mesiondy /

› Mesiondy Sports GTRS Car Building Blocks Instruction Manual

Mesiondy 86201

Mesiondy Sports GTRS Car Building Blocks Instruction Manual

Model: 86201

INTRODUCTION

This instruction manual provides detailed guidance for assembling the Mesiondy Sports GTRS Car Building Blocks Model 86201. This 1:10 scale MOC (My Own Creation) racing car model consists of 1680 pieces, offering an engaging and rewarding building experience for enthusiasts aged 14 and up. The completed model features realistic details and interactive components.



Image: The Mesiondy Sports GTRS Car Building Blocks set, showing the packaging and the fully assembled 1:10 scale model car.

SAFETY INFORMATION

- **Choking Hazard:** This product contains small parts and is not suitable for children under 3 years of age.
- **Age Recommendation:** Recommended for ages 14 and up due to complexity and small components.
- **Supervision:** Adult supervision is recommended during assembly, especially for younger builders.
- **Handling:** Handle assembled model with care to prevent parts from detaching.
- **Storage:** Store building blocks and assembled model away from extreme temperatures and direct sunlight.

PACKAGE CONTENTS

Before beginning assembly, please verify that all components are present.

1. 1680 Building Block Pieces (sorted into numbered bags)

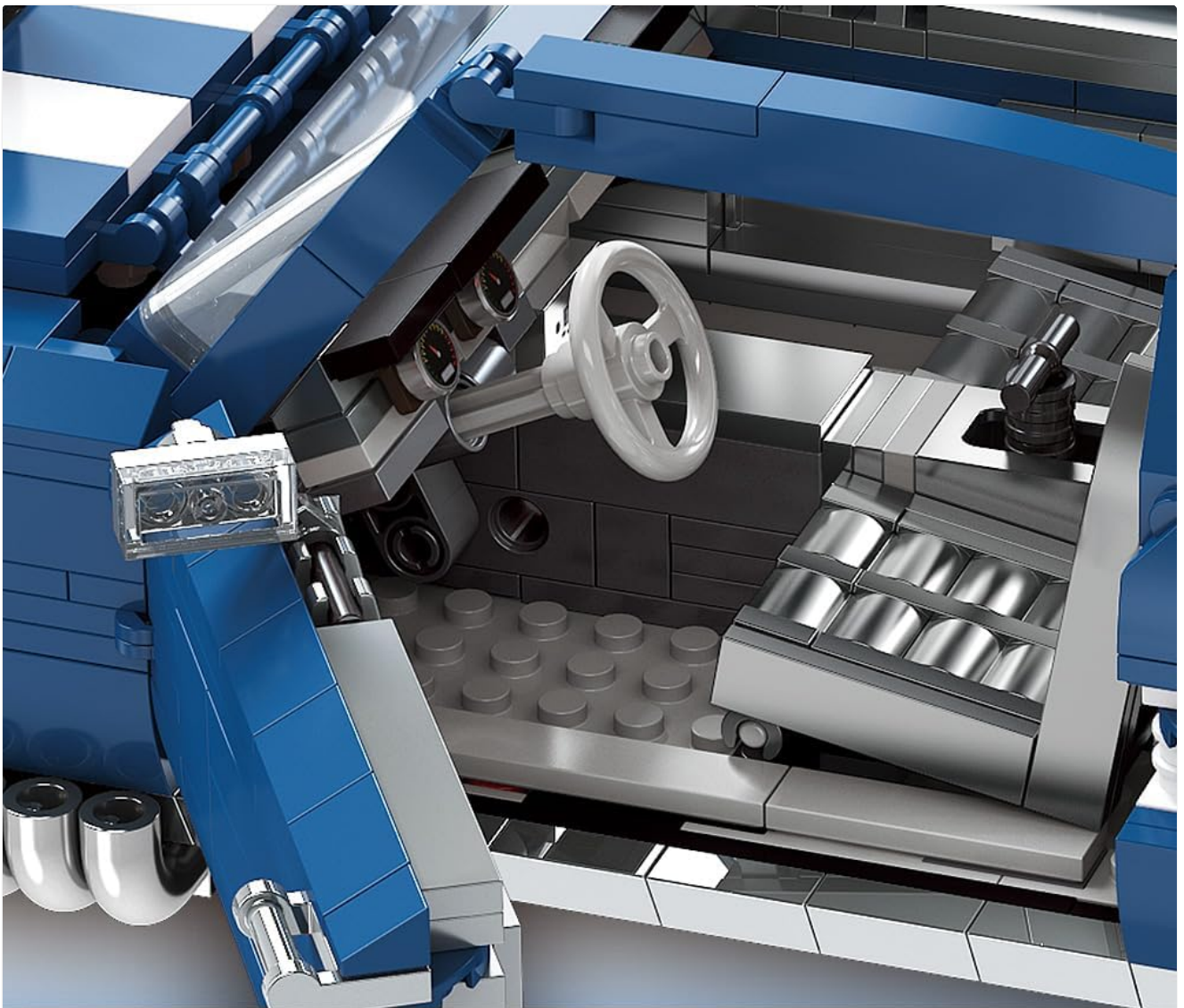
2. 1 Detailed Instruction Manual
3. 1 Sheet of Exquisite Body Stickers

Important: Some customer reviews indicate that bags may not always be numbered, or some pieces might be missing. If you encounter missing parts, please refer to the "Warranty and Support" section for assistance.

SETUP AND ASSEMBLY

Follow the step-by-step instructions provided in the included manual. It is recommended to organize the building blocks by color and type before starting. The assembly process is divided into sections, typically corresponding to numbered bags.

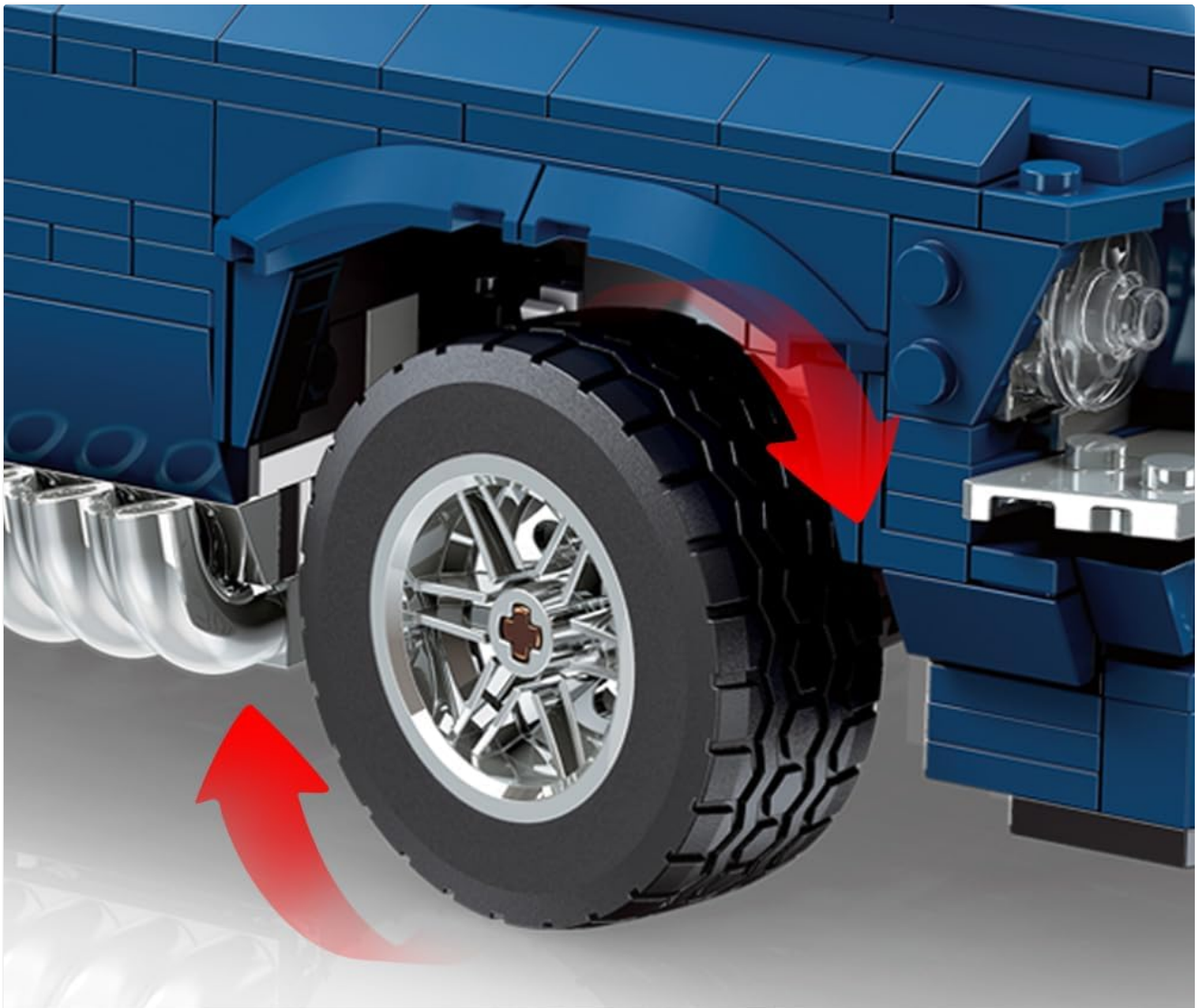
1. **Preparation:** Clear a large, well-lit workspace. Open the building block bags one by one as instructed in the manual to avoid mixing pieces prematurely.
2. **Chassis Assembly:** Begin by constructing the car's chassis, which forms the foundation of the model.
3. **Engine and Interior:** Proceed to build the detailed engine components and the car's interior, including the steering wheel and seats.



Car door simulation opening

Image: A close-up view of the car's detailed interior, showcasing the steering wheel and seating, with the driver's side door open.

4. **Bodywork:** Attach the exterior body panels, ensuring a secure fit for all pieces. Pay attention to the realistic body color matching.
5. **Wheels and Tires:** Assemble and attach the modified tires and wheels to the chassis.
6. **Functional Elements:** Integrate functional elements such as the manual doors, steering linkage, and engine function links.



Steering wheel linkage

Image: A detailed view of the front wheel, illustrating the steering wheel linkage mechanism.

7. **Final Touches:** Apply the exquisite body stickers as indicated in the manual for a complete and polished look.



Image: A diagram illustrating the removable engine and front bumper components, highlighting modular design.

OPERATING FEATURES

The Mesiondy Sports GTRS Car Model 86201 is designed with several interactive features for enhanced play and display.

- **Manual Doors:** The car features manual doors that can be opened and closed, revealing the detailed interior.

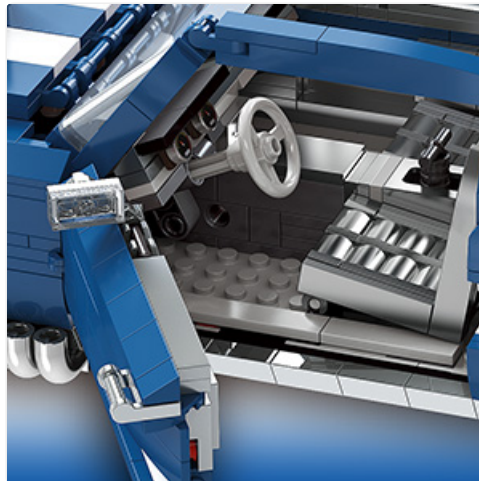


Image: A close-up of the car's interior, showing the driver's side door in an open position.

- **Steering Wheel Linkage:** The steering wheel is linked to the front wheels, allowing for realistic turning motion.



Image: A detailed view of the front wheel, illustrating the steering mechanism and its connection to the steering wheel.

- **Openable Trunk:** The trunk of the car can be opened, revealing a storage compartment.

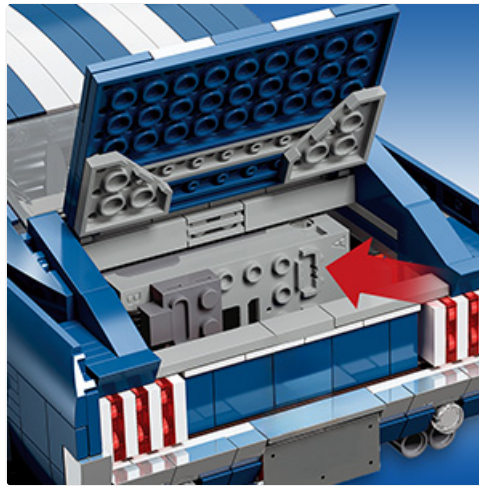


Image: The rear of the car with the trunk lid lifted, showing the internal storage area.

- **Engine Function Links:** Certain engine components are designed to move or interact, adding to the realism.
- **Removable Roof:** The roof section can be removed for easier access to the interior or for display purposes.



Image: The top section of the car's roof detached, demonstrating its removable design.

MAINTENANCE

To ensure the longevity and appearance of your Mesiondy Sports GTRS Car Building Blocks model, follow these maintenance guidelines:

- **Cleaning:** Dust the model regularly with a soft, dry cloth or a soft brush. For deeper cleaning, use a slightly damp cloth and mild soap, then wipe dry immediately. Avoid harsh chemicals or abrasive materials.
- **Storage:** Store the model in a cool, dry place away from direct sunlight to prevent discoloration or warping of plastic parts.
- **Handling:** When moving the model, support it from the base to prevent stress on individual components.
- **Loose Parts:** Periodically check for any loose or detached parts and reattach them securely.

TROUBLESHOOTING

Problem	Possible Cause	Solution
Missing Pieces	Manufacturing error or pieces misplaced during unboxing/assembly.	Carefully check all packaging and surrounding area. If still missing, contact Mesiondy customer service as per the "Warranty and Support" section.
Parts do not fit together	Incorrect piece used, or pieces are not aligned correctly.	Refer to the instruction manual to ensure the correct pieces are being used for the current step. Apply firm, even pressure to connect pieces. Do not force.
Assembled sections fall apart easily	Pieces not fully connected, or structural integrity issues in design.	Ensure all studs are fully engaged. Re-examine the assembly steps for any missed connections. If the issue persists across multiple sections, contact support.

SPECIFICATIONS

Product Model: 86201

Number of Pieces: 1680

Scale: 1:10

Product Dimensions (L x W x H): 13.7 x 5.5 x 4.6 inches (34.7 cm x 14 cm x 11.7 cm)



Image: A diagram illustrating the length, width, and height dimensions of the assembled car model.

Item Weight: 4.73 pounds

Recommended Age: 14 years and up (Manufacturer recommended age: 12 years and up)

Manufacturer: Shantoumaxundinetworktechnologyco.

WARRANTY AND SUPPORT

Mesiondy is committed to providing high-quality products and customer satisfaction.

- **Missing Parts:** In the event of missing pieces during assembly, please do not give up. Mesiondy has a local Amazon warehouse in the United States to facilitate quick after-sales service.
- **Returns:** You can utilize Amazon's return button for return services if needed.
- **Quality Assurance:** Various tests are conducted during the production process to ensure optimal product quality.
- **Contact:** For any further assistance or inquiries, please reach out to Mesiondy customer support through the platform where the product was purchased.

