



[Manuals.plus](#) /

> [vidaXL](#) /

> vidaXL Work Bench Frame Instruction Manual (Model: avec 1 barre, 43.3" x 19.7" x 31.1")

vidaXL avec 1 barre (43.3" x 19.7" x 31.1")

vidaXL Work Bench Frame Instruction Manual

Model: avec 1 barre (43.3" x 19.7" x 31.1")

INTRODUCTION

This manual provides comprehensive instructions for the assembly, operation, and maintenance of your vidaXL Work Bench Frame. This heavy-duty frame is constructed from powder-coated metal, designed for durability and stability, and features pre-drilled holes for easy tabletop attachment. Please read these instructions carefully before assembly and use to ensure safe and correct operation.



Figure 1: Overview of the vidaXL Work Bench Frame, illustrating its complete assembly and design, ready for a tabletop.

SETUP AND ASSEMBLY

The vidaXL Work Bench Frame is designed for straightforward assembly. Follow these steps to set up your workbench frame:

1. **Unpack Components:** Carefully remove all parts from the packaging. Verify that all components listed in the parts list (not provided in this manual, refer to product packaging) are present and undamaged.
2. **Identify Frame Sections:** Separate the leg sections and crossbars. The frame consists of vertical legs and horizontal support bars.
3. **Assemble Frame Joints:** Attach the crossbars to the leg sections using the provided bolts and washers. Ensure that the pre-drilled holes align correctly.



Figure 2: Detail of the frame's corner joint, highlighting the bolt mechanism used to connect the frame components during assembly.

4. **Secure All Bolts:** Once all sections are in place, securely tighten all bolts. Avoid overtightening, as this may distort the metal components. The corner stability is provided by these connections.
5. **Attach Adjustable Feet:** Screw the adjustable feet into the bottom of each leg. These feet help level the workbench on uneven surfaces.



Figure 3: This image displays the adjustable foot at the base of a workbench leg, designed to provide stability and compensate for uneven surfaces.

6. **Position the Frame:** Place the assembled frame in your desired location. Adjust the feet to ensure the frame is level and stable.
7. **Attach Tabletop (Optional):** The frame is equipped with pre-drilled holes on the top for easy attachment of a tabletop (not included). Align your chosen tabletop with these holes and secure it using appropriate fasteners.



Figure 4: The assembled workbench frame viewed from the front, showcasing its matte black finish and the distinctive red crossbar that adds structural support.

OPERATING INSTRUCTIONS

The vidaXL Work Bench Frame is designed to provide a stable and robust foundation for your work surface. Once assembled and a tabletop is securely attached, the frame is ready for use.

- **Load Distribution:** Distribute weight evenly across the tabletop to maintain stability and prevent undue stress on the frame.
- **Stability:** The reinforced bars on the upper and bottom sides provide additional support and strength, ensuring stability for various tasks.
- **Work Surface:** Use the attached tabletop for various tasks, including crafting, repairs, or as a general workspace.

MAINTENANCE

To ensure the longevity and continued performance of your workbench frame, follow these maintenance guidelines:

- **Regular Inspection:** Periodically inspect all bolts, connections, and frame components for tightness and signs of wear.
- **Retighten Fasteners:** If any bolts feel loose, retighten them immediately to maintain structural integrity.
- **Cleaning:** Clean the powder-coated metal frame with a damp cloth and a mild, non-abrasive detergent. Avoid harsh chemicals or abrasive cleaning tools that could damage the finish.
- **Adjustable Feet:** Check the adjustable feet for wear and tear. Ensure they are functioning correctly to keep the workbench level. Replace if significantly damaged.

TROUBLESHOOTING

If you encounter any issues with your vidaXL Work Bench Frame, refer to the following troubleshooting guide:

- **Issue: Workbench feels unstable or wobbly.**

Solution:

- Check all assembly bolts and ensure they are securely tightened.
- Verify that the adjustable feet are evenly set on a flat surface. If the surface is uneven, adjust the feet accordingly to level the frame.

- **Issue: Difficulty attaching tabletop.**

Solution:

- Ensure the tabletop dimensions are compatible with the frame (43.3" x 19.7").
- Align the tabletop carefully with the pre-drilled holes on the top frame before attempting to fasten it.

SPECIFICATIONS

Brand	vidaXL
Model Number	avec 1 barre
Material	Powder-Coated Metal
Product Dimensions (L x W x H)	43.3" x 19.7" x 31.1" (110 cm x 50 cm x 79 cm)
Color	Matte Black and Red
Item Weight	20.2 pounds (9.2 Kilograms)
Assembly Required	Yes

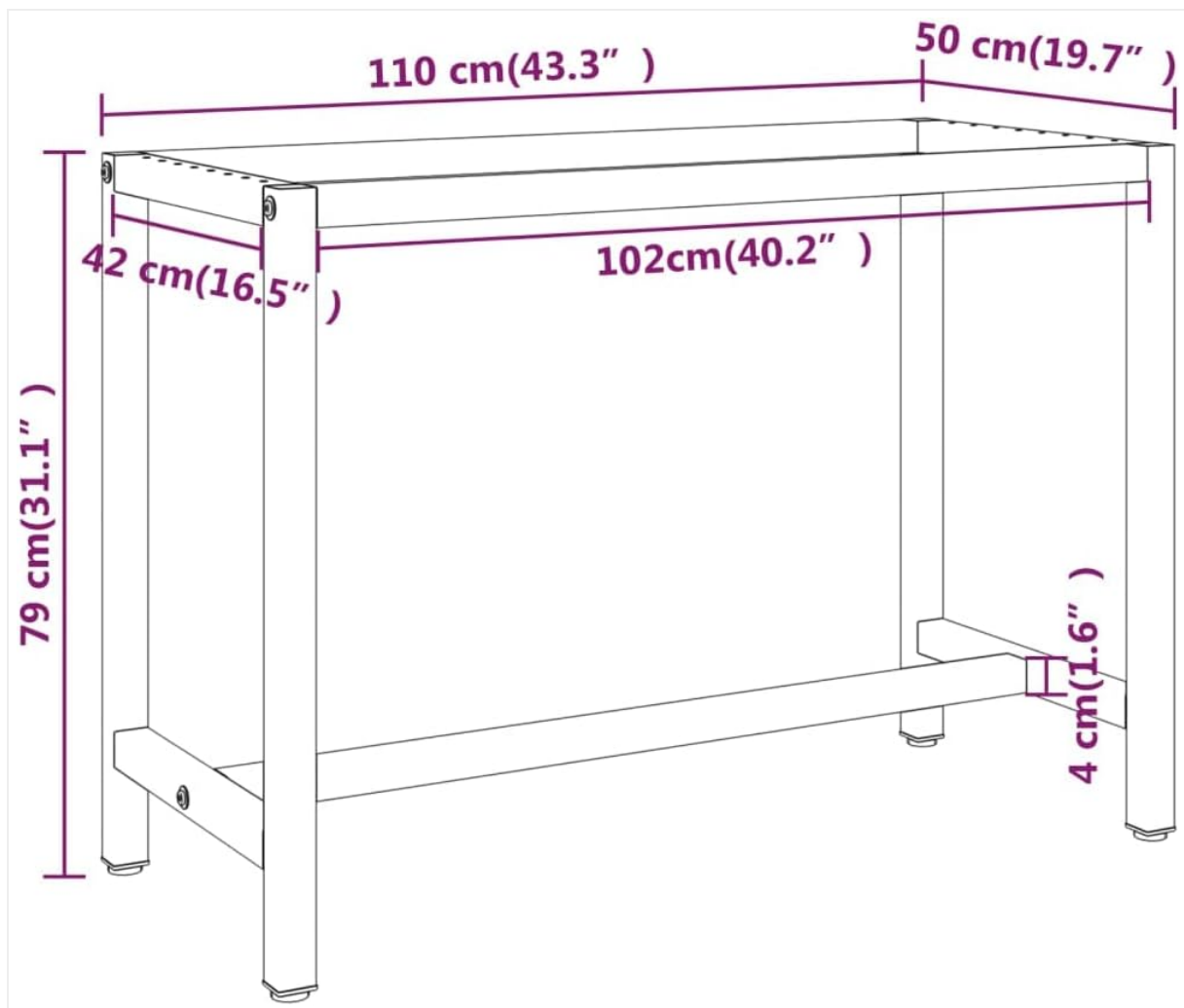


Figure 5: This diagram illustrates the overall dimensions of the workbench frame, including its width, depth, and height.

WARRANTY INFORMATION

For detailed warranty information regarding your vidaXL Work Bench Frame, please refer to the warranty card included with your product packaging or visit the official vidaXL website. Warranty terms and conditions may vary by region and product.

CUSTOMER SUPPORT

Should you require further assistance, have questions about assembly, or need to report a missing/damaged part, please contact vidaXL customer support. Contact details can typically be found on the product packaging, the official vidaXL website, or your purchase documentation.

You can also visit the [vidaXL Store on Amazon](#) for more product information and support resources.