



Manuals.plus /

› Comoistar /

› Comoistar 8.5 Inch Wall Mounted Oscillating Fan User Manual

Comoistar FW

Comoistar 8.5 Inch Wall Mounted Oscillating Fan User Manual

Model: FW

1. INTRODUCTION

This manual provides essential information for the safe and efficient operation of your Comoistar 8.5 Inch Wall Mounted Oscillating Fan. Please read it thoroughly before installation and use, and retain it for future reference.



Image 1.1: The Comoistar 8.5 Inch Wall Mounted Oscillating Fan, shown with its remote control.

The Comoistar FW fan is designed to provide efficient air circulation with features such as 4 speed settings, 90° oscillation, 120° adjustable tilt, and a programmable timer, all controllable via a magnetic remote.

2. SAFETY INSTRUCTIONS

To reduce the risk of fire, electric shock, or injury, observe the following safety precautions:

- Always unplug the fan from the power outlet before cleaning, servicing, or relocating.
- Do not operate the fan with a damaged cord or plug. If the cord or plug is damaged, contact customer support.
- Keep fingers and other objects away from the fan blades and openings during operation.
- Do not use the fan near water or in excessively humid environments.
- Ensure the fan is securely mounted to a stable surface before operation.
- This appliance is not intended for use by persons (including children) with reduced physical, sensory or mental capabilities, or lack of experience and knowledge, unless they have been given supervision or instruction concerning use of the appliance by a person responsible for their safety.
- Do not block air openings.

3. PACKAGE CONTENTS

Verify that all items are present in the package:

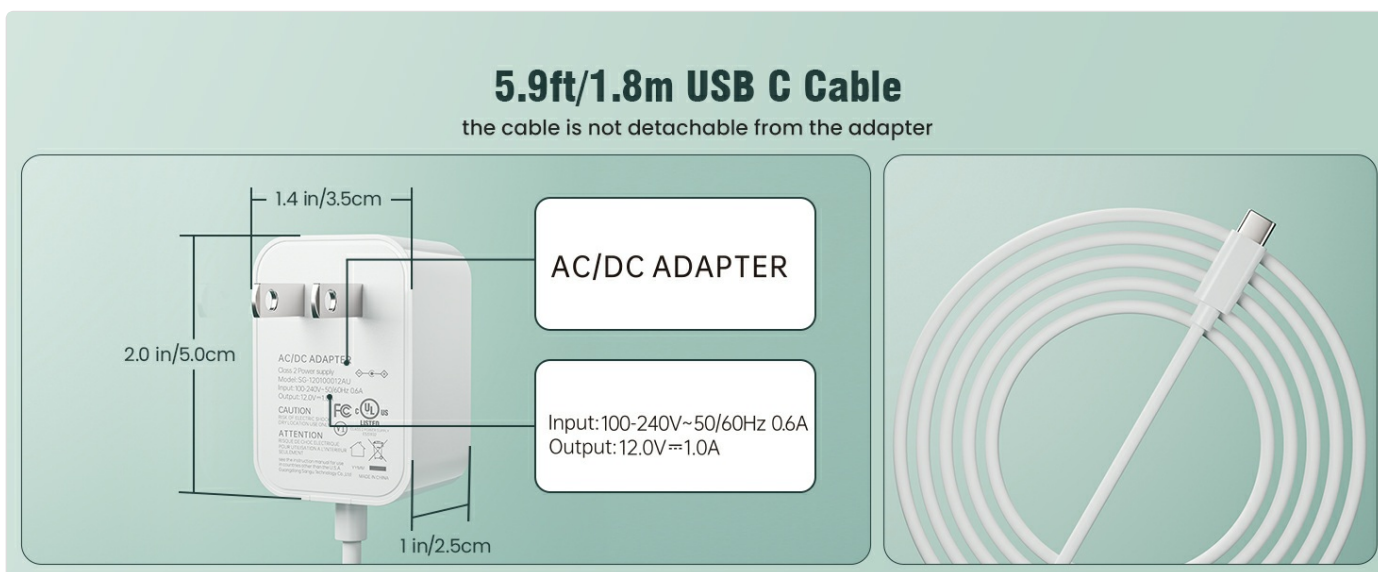


Image 3.1: Overview of the fan and its included accessories.

- Comoistar 8.5 Inch Wall Mounted Oscillating Fan
- Remote Control
- American Adapter with Type C Cable (5.9 ft / 1.8 m)
- Screws for mounting
- Base
- Wall Bracket
- Instruction Manual
- Fixing Strip (adhesive)

4. SETUP AND INSTALLATION

Choose a suitable location for mounting the fan. Ensure the surface is clean and dry.

4.1 Mounting Options

The fan offers multiple mounting methods:

1. **Adhesive Mounting (for smooth surfaces):**

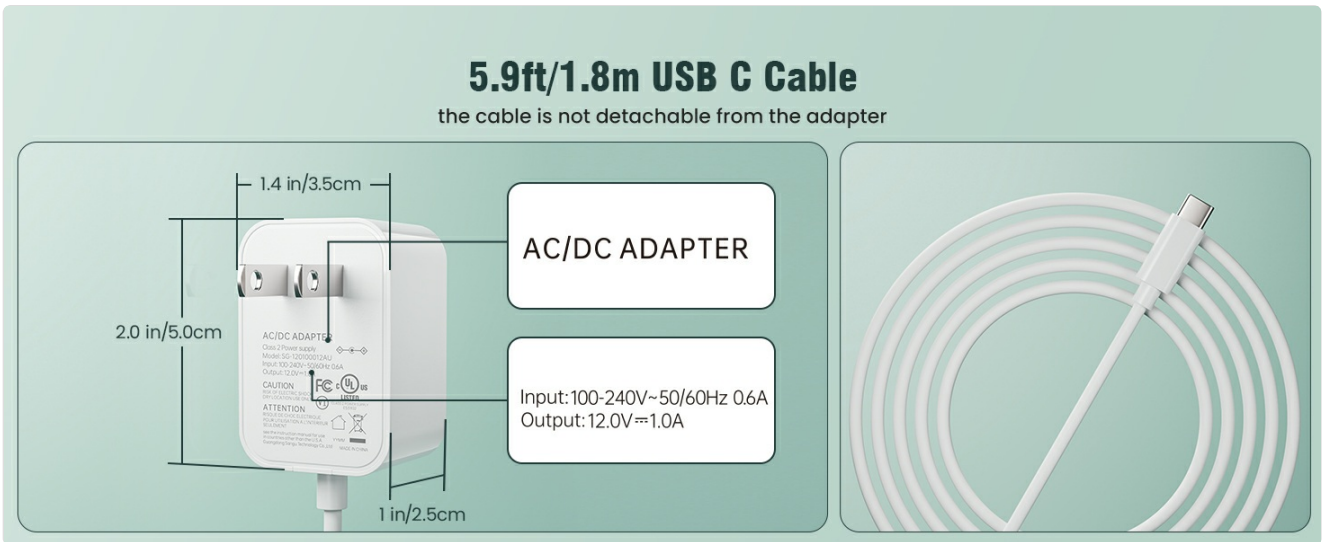


Image 4.1: Applying the provided adhesive to the wall bracket.

Apply the provided adhesive to the back of the wall bracket. Press the bracket firmly onto a clean, smooth surface such as ceramic tile, glass, or metal. Allow sufficient time for the adhesive to set before attaching the fan.

2. Screw Mounting (for punchable surfaces):

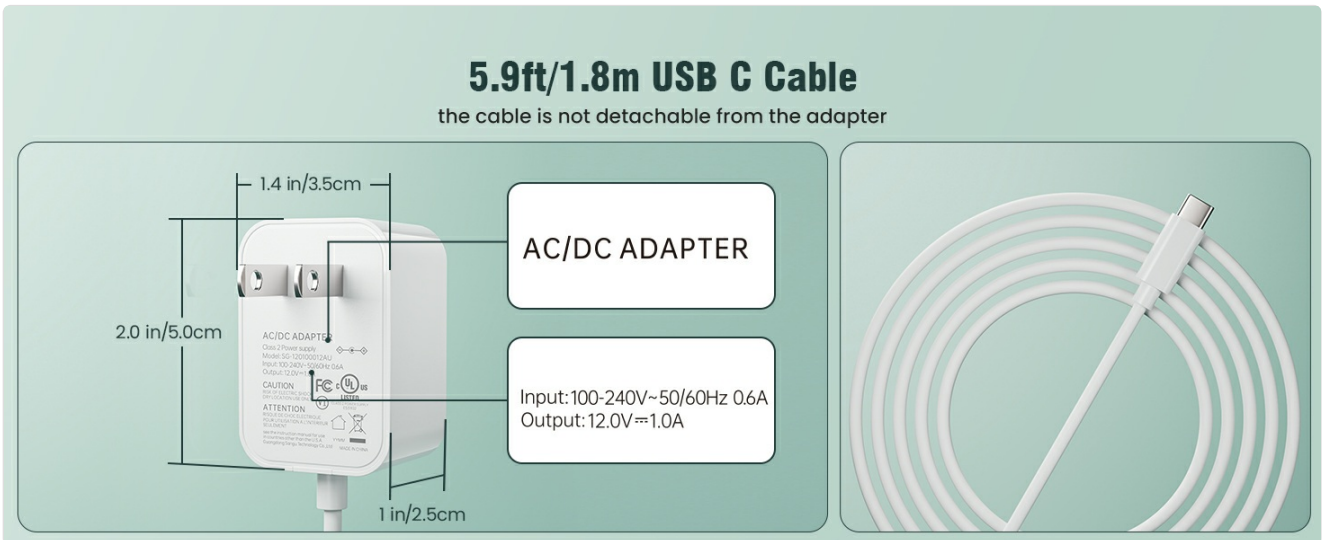


Image 4.2: Securing the wall bracket with screws.

For surfaces like wood, cement, or painted walls, use the provided screws to securely fasten the wall bracket. Drill pilot holes if necessary to prevent damage to the surface.

3. Rope Mounting (for small surfaces, ropes not included):

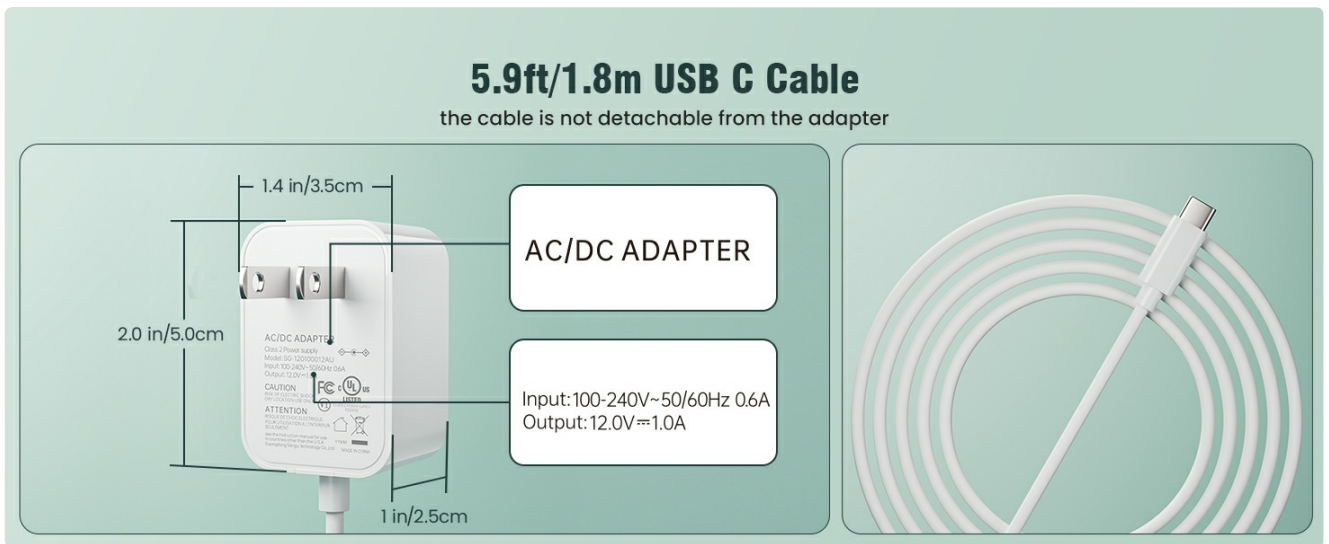


Image 4.3: Illustrates using ropes (not included) for mounting on narrow structures like pillars.

For specific applications such as pillars, ropes (not included) can be threaded through the bracket holes to secure it. Ensure the ropes are strong and tied securely.

4.2 Attaching the Fan

Once the wall bracket is securely installed, slide the fan's base onto the bracket until it clicks into place. Ensure it is firmly attached.

4.3 Power Connection

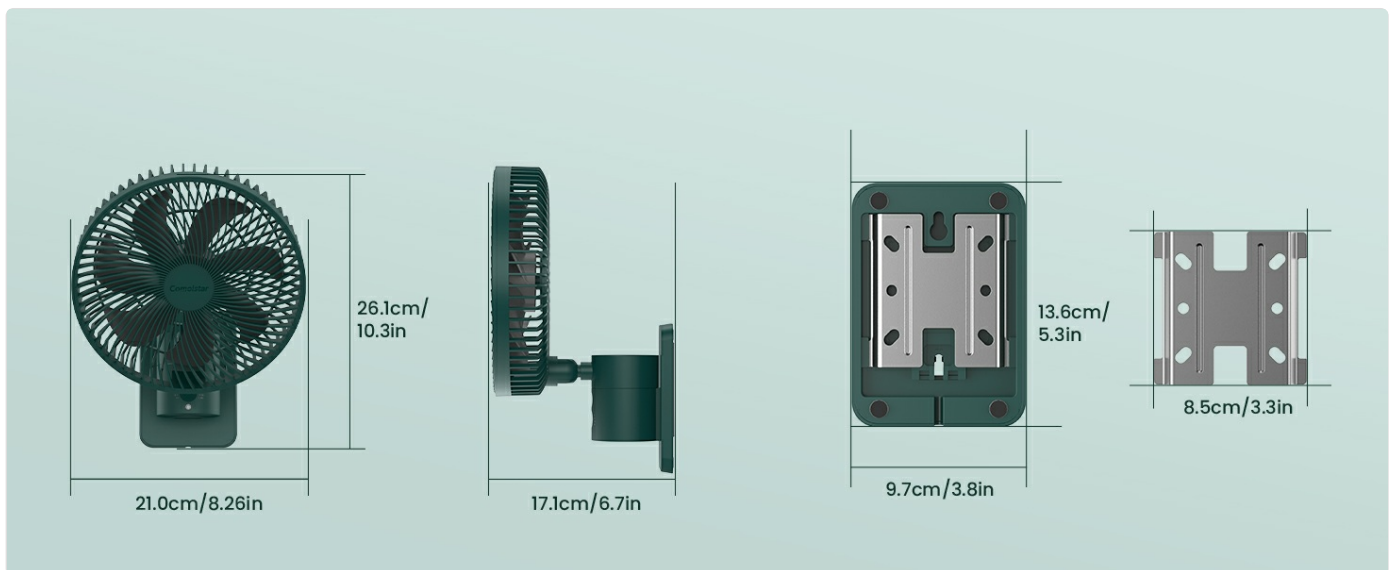


Image 4.4: The AC/DC adapter with integrated USB-C cable.

Connect the integrated USB-C cable from the fan to the provided AC/DC adapter. Plug the adapter into a standard 100-240V AC wall socket. The cable and adapter are inseparable.

5. OPERATION

The fan can be operated using the control panel on the unit or the included remote control.

5.1 Control Panel

The fan unit features a control panel with buttons for basic functions:

- **Power/Speed Button:** Press to turn on/off and cycle through speed settings.
- **Oscillation Button:** Activates or deactivates the 90° oscillation feature.
- **Timer Button:** Sets the automatic shut-off timer.

5.2 Remote Control



Image 5.1: The magnetic remote control for the fan.

The remote control allows convenient operation from a distance of up to 16 feet (5 meters). It is magnetic and can be stored on metal surfaces to prevent loss.

- **Power Button:** Turns the fan on or off.
- **Speed Button:** Cycles through 4 speed settings (Low, Middle, High, Super).



Image 5.2: Illustration of the four fan speed settings.

- **Oscillation Button:** Activates or deactivates the 90° horizontal oscillation.



Image 5.3: The fan offers 90° oscillation and 120° manual tilt.

- **Timer Button:** Sets the automatic shut-off timer for 0.5, 1.5, 4, or 8 hours.

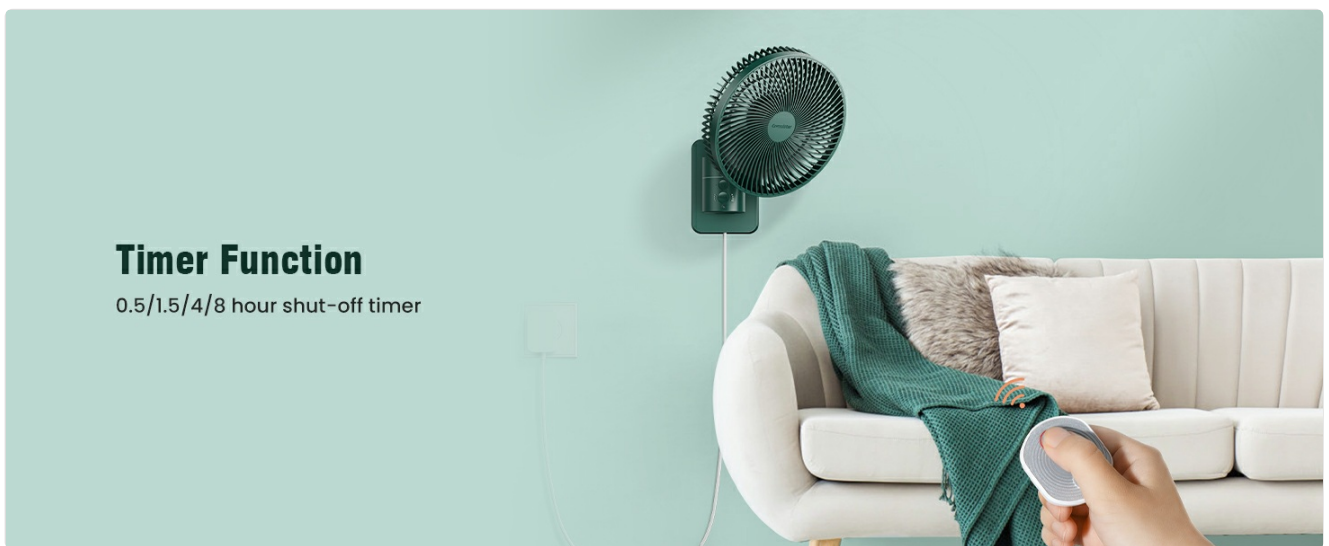


Image 5.4: The fan's advanced 8-hour timer settings.

5.3 Adjustable Tilt

The fan head can be manually adjusted up to 120° vertically to direct airflow as needed.

5.4 Quiet Operation

The fan is designed for quiet operation, making it suitable for bedrooms and other quiet environments. When the timer is active, all indicators will turn off to avoid disturbing sleep.

Use the Screws(Provided)

for surfaces can be punched, like wood, cement,paints and so on



Image 5.5: The fan's quiet operation supports a sound sleep.

6. MAINTENANCE

Regular cleaning and maintenance ensure optimal performance and longevity of your fan.

6.1 Cleaning

- Always unplug the fan before cleaning.
- Use a soft, damp cloth to wipe the exterior surfaces of the fan.
- To clean the fan blades, carefully remove the front grille (refer to assembly instructions for reverse steps if needed). Wipe the blades with a soft cloth.
- Do not use abrasive cleaners, solvents, or harsh chemicals, as these may damage the fan's finish.
- Ensure all parts are completely dry before plugging the fan back in.

6.2 Storage

When not in use for extended periods, store the fan in a cool, dry place, preferably in its original packaging, to protect it from dust and damage.

7. TROUBLESHOOTING

If you encounter issues with your fan, refer to the following table for common problems and solutions:

Problem	Possible Cause	Solution
Fan does not turn on	No power supply	Ensure the power adapter is securely plugged into a working outlet and the fan.
Fan blades do not spin	Obstruction or motor issue	Unplug the fan, check for any obstructions around the blades. If no obstruction, contact customer support.
Remote control not working	Battery depleted or obstruction	Replace the remote control battery (1 Lithium Polymer battery required, included). Ensure no objects are blocking the signal path to the fan.
Fan makes unusual noise	Loose parts or obstruction	Unplug the fan and check for any loose parts or foreign objects. Ensure the fan is securely mounted.
Oscillation not functioning	Oscillation feature deactivated	Press the oscillation button on the control panel or remote to activate.

If the problem persists after attempting these solutions, please contact Comoistar customer support.

8. SPECIFICATIONS

Feature	Detail
Brand	Comoistar
Model Name	FW
Size	8.5 Inches
Color	Blackish Green
Power Source	AC/DC (Adapter: Input 100-240V~50/60Hz 0.6A, Output 12.0V=1.0A)
Wattage	12 watts
Voltage	12 Volts
Air Flow Capacity	1900 CFM
Number of Power Levels	4
Oscillation	90° Auto Oscillation
Adjustable Tilt	120° Manual Tilt
Timer Settings	0.5, 1.5, 4, 8 hours
Control Method	Remote, Touch
Cable Length	5.92 feet (1.8 meters)
Product Dimensions	4.72"D x 9.84"W x 5.51"H
Item Weight	2.25 pounds (1020 Grams)
Included Components	Fan, Remote Control, American Adapter, Cord, Screws, Base, Wall Bracket
Remote Battery	1 Lithium Polymer battery (included)

Use the Adhesive(Provided)

for smooth surfaces,such as ceramic tile,
glass,metal,mavel and so on



Image 8.1: Dimensional drawing of the fan and its mounting bracket.

9. WARRANTY AND SUPPORT

9.1 Warranty Information

Comoistar products are manufactured to high-quality standards. For specific warranty details, please refer to the warranty card included with your product or visit the official Comoistar website. Keep your purchase receipt as proof of purchase for warranty claims.

9.2 Customer Support

If you have any questions, require technical assistance, or need to report an issue, please contact Comoistar customer support through the retailer where the product was purchased or via the official Comoistar website.